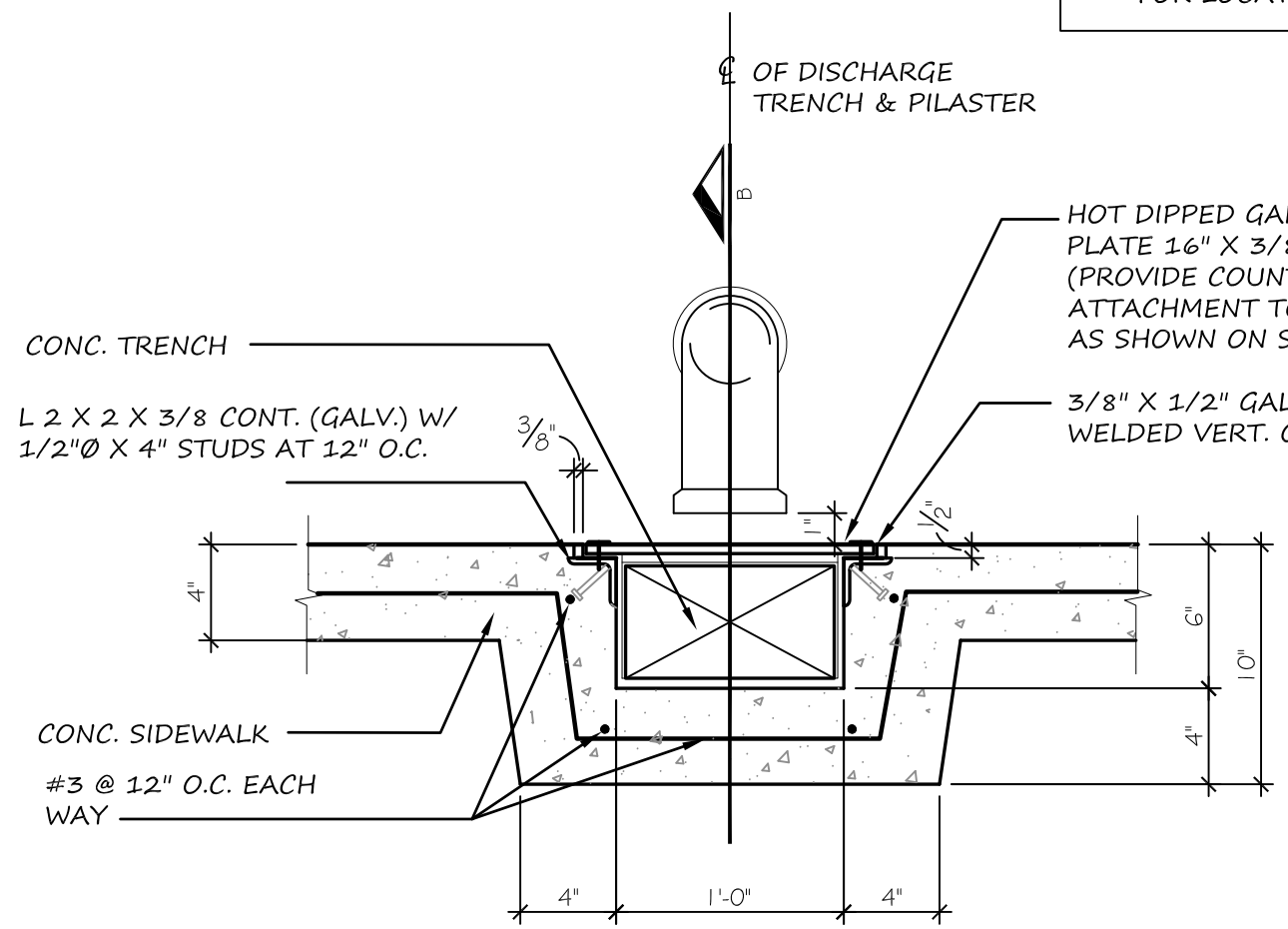
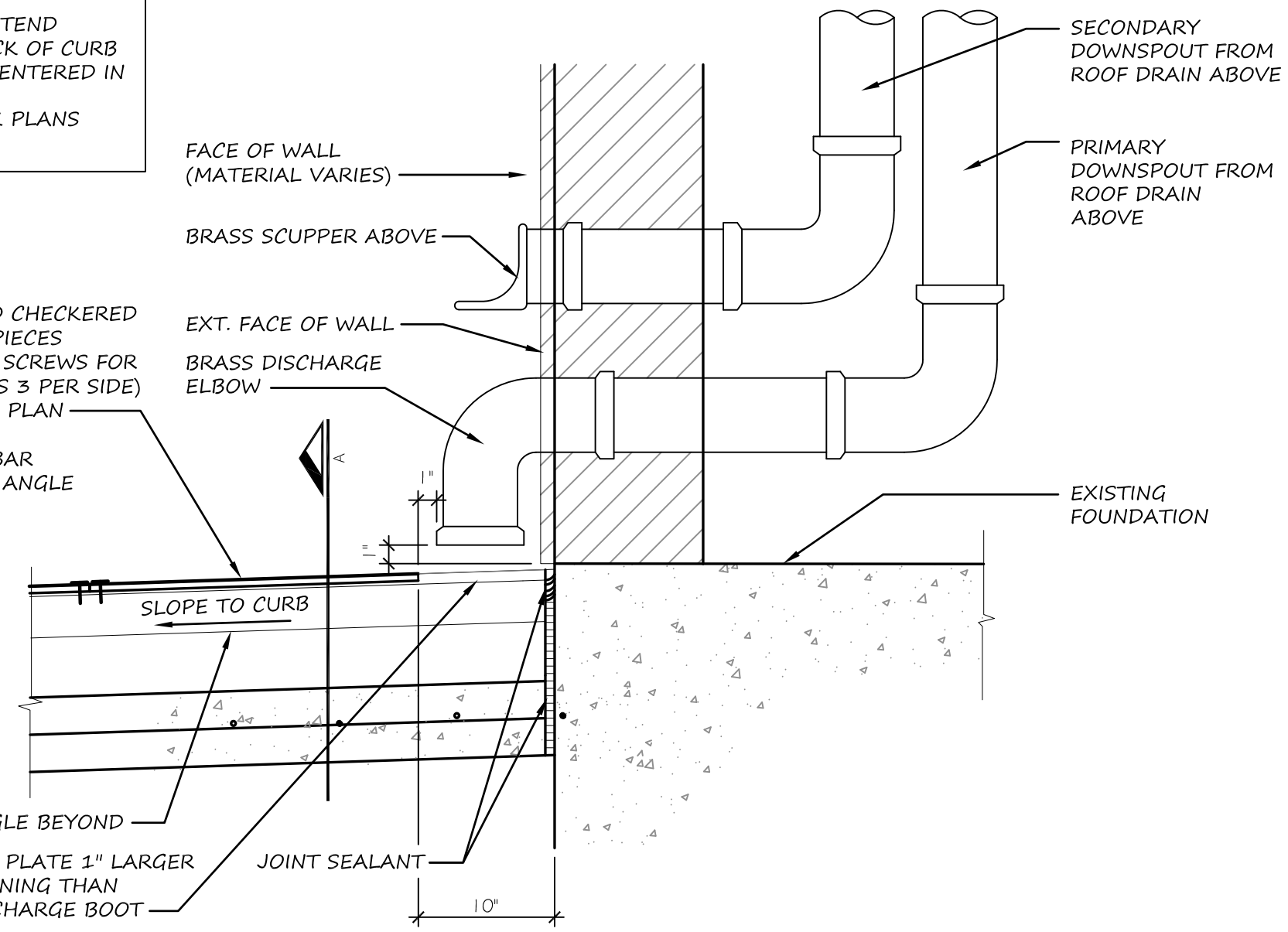


NOTE:

- DRAIN COVER TO EXTEND 5-1/2" BEYOND BACK OF CURB
- DISCHARGE TO BE CENTERED IN PILASTER
- REFER TO SIDEWALK PLANS FOR LOCATIONS



SECTION A



SECTION B

1 | **SIDEWALK TRENCH DETAIL**
 A-SK-04 | SCALE: 1 1/2" = 1'-0"

