



Hermes Architects
 Members A.I.A.
 1177 West Loop South, Ste. 500
 Houston, Texas 77027
 Tel. 713-785-3644
 www.hermesarchitects.com
 Houston - Dallas - Ft. Worth

This document is an instrument of service protected by the copyright law of the United States of America, 17 U.S.C. § 102, and shall not be copied or reproduced without the express written consent of Hermes Architects, Inc.



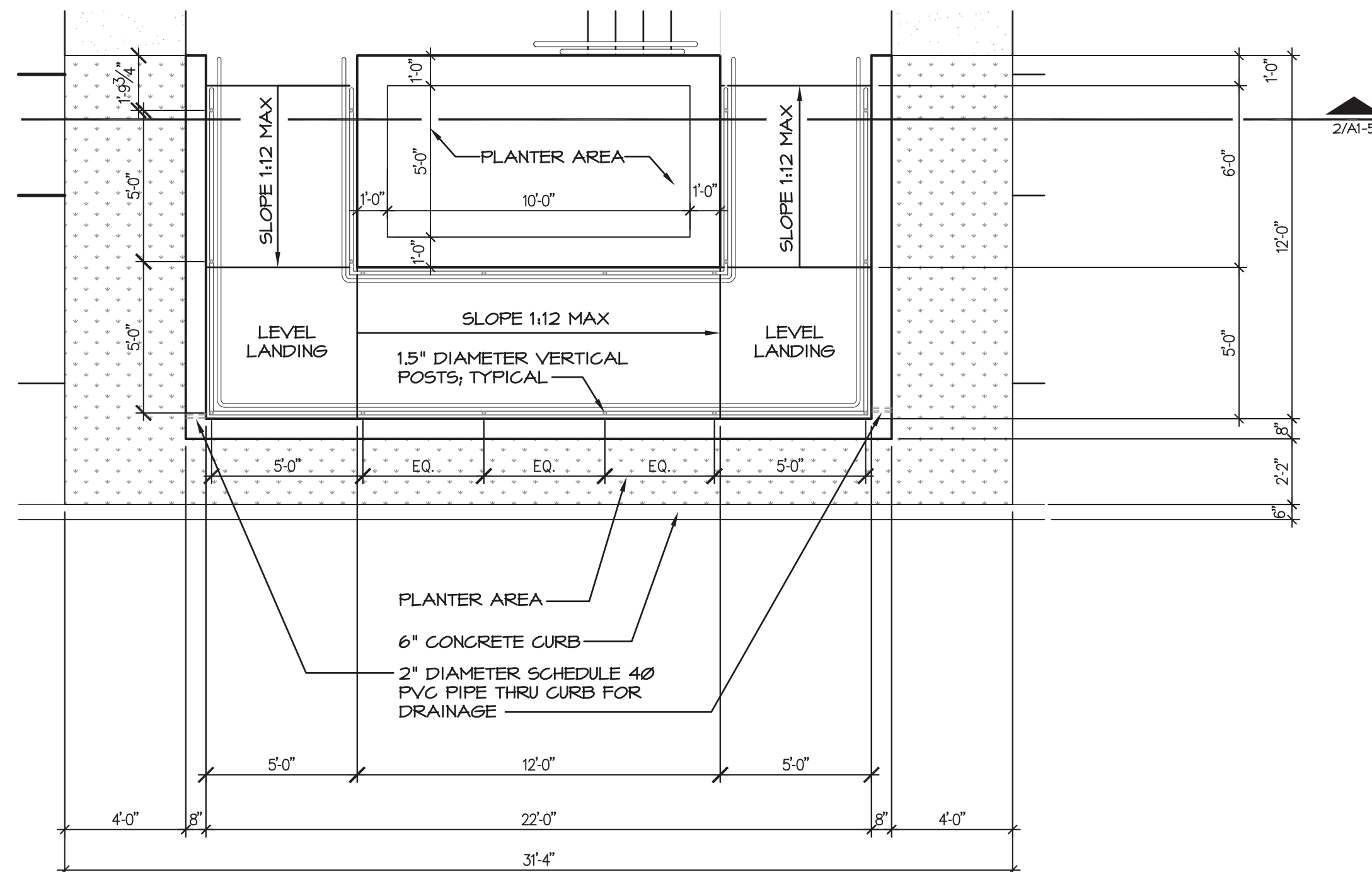
CROSSROADS MALL
RENOVATION
 6834 WESLEY STREET
 GREENVILLE, TEXAS 75401

Crossroads
 GREENVILLE PROPERTIES LTD.

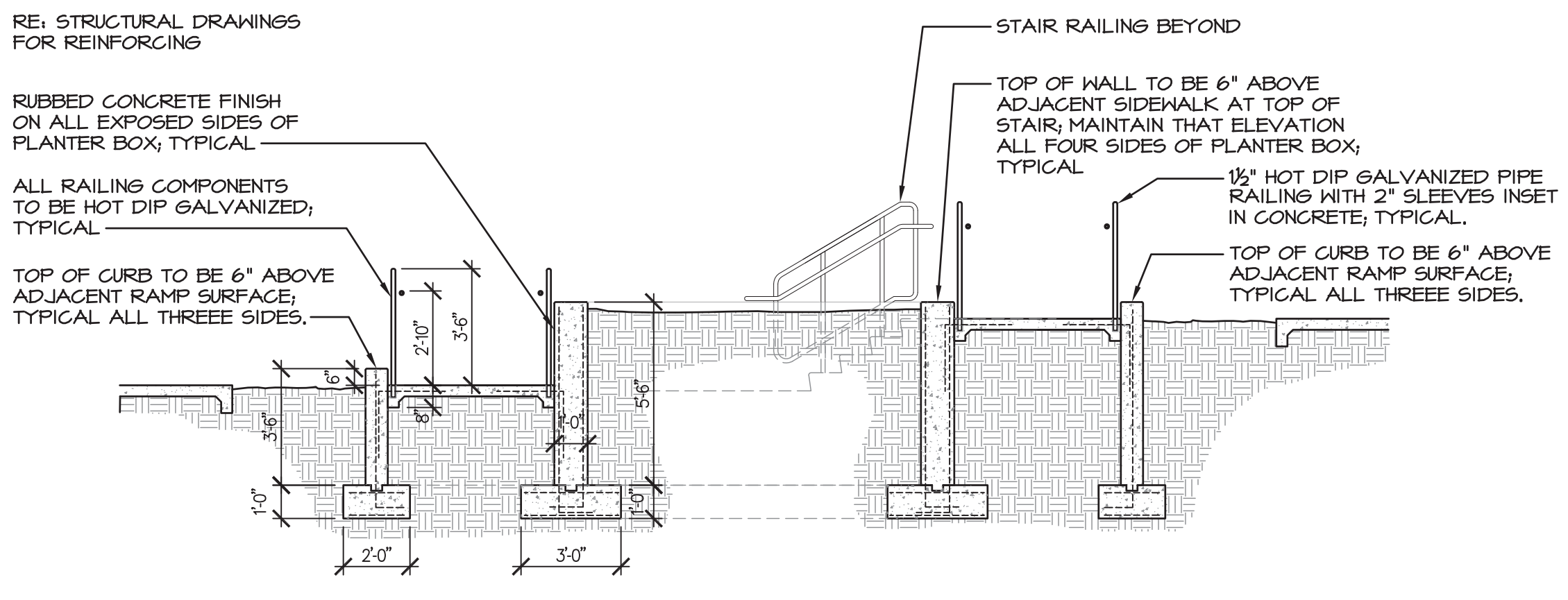
GREENVILLE PROPERTIES, LTD.
 10850 WILCHIRE BLVD.
 SUITE 1050
 LOS ANGELES, CA 90024

DATE	June 7, 2011
PROJECT NO.	809501
DRAWN BY	--
CHECKED BY	--

PLANTER
 DETAILS

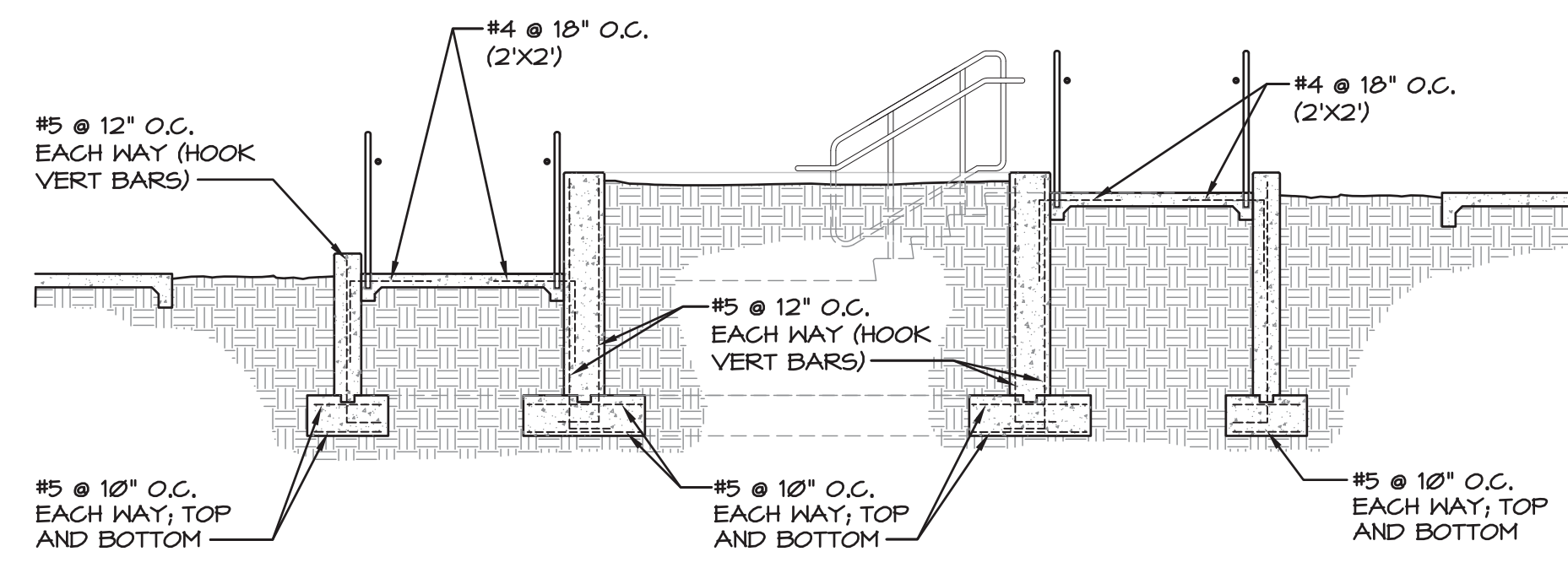


1 PLANTER BOX/RAMP PLAN
 SCALE: 1/8" = 1'-0"



2 PLANTER BOX/RAMP SECTION
 SCALE: 1/8" = 1'-0"

NOTE:
 REFER TO 20/A1-4 FOR
 GUARDRAIL DETAIL



3 PLANTER BOX REINFORCEMENT DETAIL
 SCALE: 1/8" = 1'-0"

K:\809500\DRAWINGS\4-PLOT SHEETS\SHEETS\A1-5 PLANTER DETAILS.DWG 6/14/2011 10:06:37 AM TODD ARENZ