



Studio 13 Design Group, PLLC
519 Bennett Lane, Suite 203
Lewisville, Texas 75007
469-635-1900

Hermes Architecte

Members A.I.A.
177 West Loop South, Ste. 500
Houston, Texas 77027
Tel. 713-785-3644
www.hermesarchitects.com
Houston • Dallas • Ft. Worth

This document is an instrument of service protected by the copyright law of the United States of America, 17 U.S.C. § 102, and shall not be copied or reproduced without the express written consent of Hermes Architects, Inc.

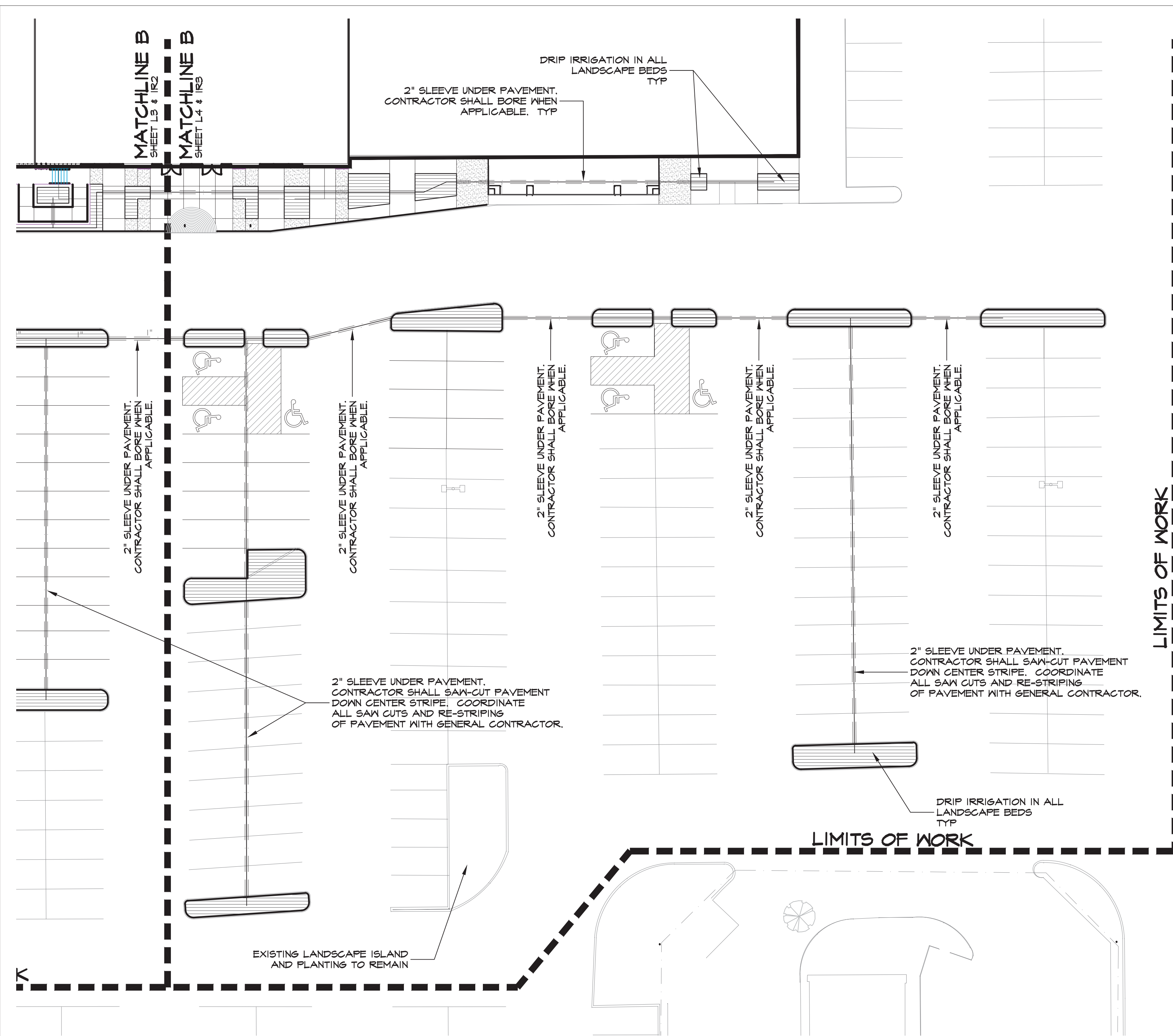


June 7, 2011

CROSSROADS MALL RENOVATION
6534 WESSLEY STREET
GREENVILLE, TEXAS 75001
GREENVILLE PROPERTIES, LTD.
10850 WILCHIRE BLVD.
SUITE 1050
LOS ANGELES, CA 90024

Crossroads GREENVILLE PROPERTIES LTD.

DATE: June 16, 2011
PROJECT NO.: 809501
DRAWN BY:
CHECKED BY:

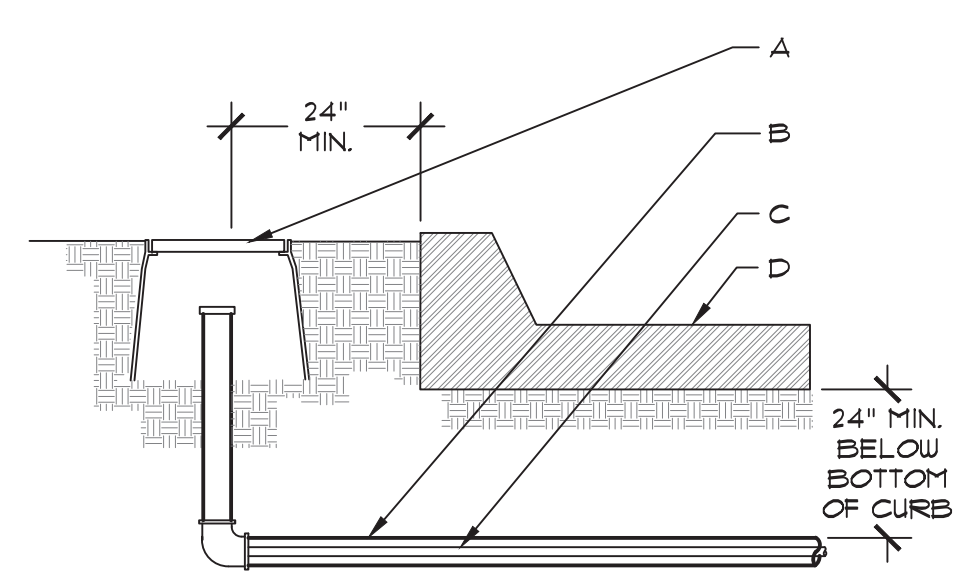


LIMITS OF WORK

IRRIGATION LEGEND AND SCHEDULE

SYM	DESCRIPTION	MANUFACTURER	MODEL	SIZE / NOZZLE	NOTES
Ⓜ	AUTOMATIC CONTROLLER	EXISTING	EXISTING VERIFY LOCATION	N/A	INSTALL EXPANSION PACK AS NECESSARY TO ACCOMMODATE PROPOSED ZONES.
Ⓢ	DRIP IRRIGATION CONTROL VALVE	HUNTER	ICZ	1"	INSTALL PER DETAIL IN 10" ROUND BOX W/ BOLT DOWN LID. ROUT AND PAINT VALVE NUMBER ON LID.
Ⓢ	DRIP IRRIGATION	HUNTER	PLD-06-10	N/A	INSTALL PER DETAIL W/ 80 PSI AT OUTFLOW OF DRIP ZONE VALVE.
Ⓜ	EXISTING WATER METER	---	PER CITY	Refer to Plan for Size	INSTALLED BY GENERAL CONTRACTOR
Ⓢ	DOUBLE CHECK VALVE	Fabco	850-BV Series	Line Size	FURNISH AND INSTALL PER LOCAL CODE BY LICENSED IRRIGATION CONTRACTOR.
Ⓢ	ISOLATION VALVE	Nbc	*T-113	Line Size	INSTALL PER DETAIL IN 12"x12" RECTANGULAR BOX W/ BOLT DOWN LID. ROUT AND PAINT VALVE NUMBER ON LID.
Ⓢ	WYE STRAINER	Fabco	*650	Line Size	INSTALL PER DETAIL IN 12"x12" RECTANGULAR BOX W/ BOLT DOWN LID. ROUT AND PAINT VALVE NUMBER ON LID.
Ⓜ	MASTER VALVE	Hunter	P6V-P5	Line Size	INSTALL PER DETAIL IN 12"x12" RECTANGULAR BOX W/ BOLT DOWN LID. ROUT AND PAINT VALVE NUMBER ON LID.
---	IRRIGATION SLEEVE	---	SCH. 40 W/ 12 GA. FULL WIRE IN SLEEVE	Refer to Plan for Size	DRIVEWAY SLEEVES INSTALLED BY GENERAL CONTRACTOR. SIDEWALK SLEEVES INSTALLED BY IRRIGATION CONTRACTOR.
---	IRRIGATION MAIN LINE	---	CLASS 200	Refer to Plan for Size	18" INSTALLATION DEPTH
---	IRRIGATION LATERAL LINE	---	CLASS 200	Refer to Plan for Size	12" INSTALLATION DEPTH

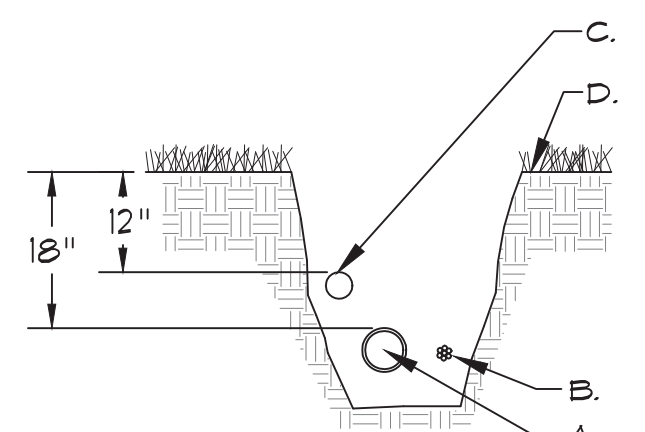
Program and Station number for Automatic Controller
Valve size in inches
Gallons per minute, per valve



GENERAL NOTES:
1. NO DIRECT CONNECTION TO SLEEVE SHALL BE ALLOWED. SLEEVE SIZE SHALL BE TWO (2) SIZES LARGER THAN THE PIPE TO BE SLEEVED.
2. MARK LANDSCAPE WITH SYMBOL 'S' TO INDICATE THAT A SLEEVE IS BELOW.
3. INSTALL WIRING IN SEPARATE SLEEVE FROM LATERAL AND MAINLINE PIPING.

CONSTRUCTION NOTES:
A. CONCRETE VALVE BOX. STUB UP SCH. 40 PVC SLEEVES AND CAP. PAINT TOP OF VALVE BOX "DAY GLOW ORANGE" FOR FUTURE REFERENCE.
B. SCH. 40 PVC IRRIGATION SLEEVE - SEE PLAN.
C. PVC MAINLINE, LATERAL OR WIRING - SEE PLAN.
D. PAVING

IRRIGATION SLEEVES NOT TO SCALE



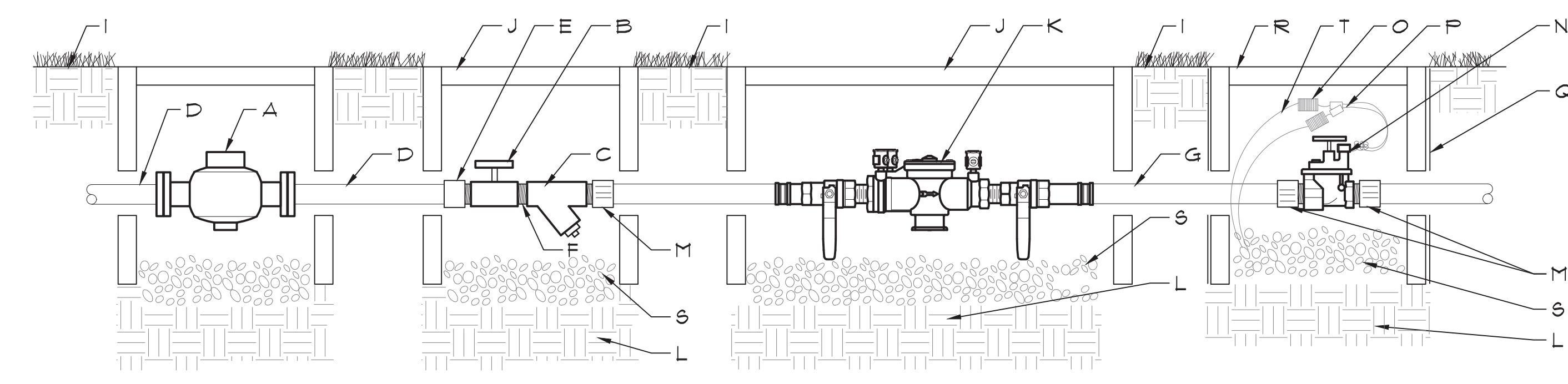
GENERAL NOTES:
1. REST PIPE FIRMLY ON TRENCH BOTTOM.
2. SNAKE PIPE FROM SIDE TO SIDE.
3. DO NOT STACK PIPE IN TRENCH. PROVIDE HORIZONTAL SEPARATION.
4. MAINTAIN 2" MINIMUM SEPARATION BETWEEN MAINLINE AND LATERAL LINE PIPING.
5. BUNDLE WIRE(S) AT 20 FT. INTERVALS.

CONSTRUCTION NOTES:
A. MAINLINE PIPING - 18" MINIMUM COVER
B. WIRE BUNDLE - TAPE PER SPECIFICATIONS
C. LATERAL LINE PIPING - 12" MINIMUM COVER
D. FINISH GRADE

IRRIGATION TRENCH NOT TO SCALE

GENERAL NOTES:
1. INSTALL WASHED PEA GRAVEL BELOW DCA TO ALLOW ACCESS TO TEST COCKS AND OPERATION OF BALL VALVES
2. INSTALL PEA GRAVEL FLUSH WITH ELECTRIC VALVE.
3. PROVIDE A 24" WIRE EXPANSION COIL AT EACH DRY SPLICE WIRE CONNECTION.
4. CENTER VALVE ASSEMBLY IN VALVE BOX.

CONSTRUCTION NOTES:
A. WATER METER (SIZE PER PLAN)
B. BALL VALVE (SIZE PER LINE)
C. WYE STRAINER (SIZE PER LINE)
D. TYPE 'K' COPPER PIPE
E. COMPACTED SUBGRADE
F. 1/2" NIPPLE
G. PIPE PER CITY CODE
H. COUPLING
I. FINISH GRADE
J. 12"x12" VALVE BOX. SET FLUSH WITH FINISH GRADE
K. DOUBLE CHECK VALVE ASSEMBLY
L. COMPACTED SUBGRADE
M. MALE ADAPTER
N. MASTER ELECTRIC VALVE
O. WIRE COIL
P. WATERPROOF WIRE CONNECTORS
Q. 10" ML BLACK PLASTIC
R. 10" RD VALVE BOX. SET 1/4" ABOVE FINISH GRADE.
S. WASHED PEA GRAVEL - 6" DEPTH MIN
T. VALVE WIRING



BACKFLOW PREVENTER CONNECTION NOT TO SCALE

SITE SPECIFIC NOTES:

1. VALVES & PIPING SHOWN IN PAVING FOR CLARITY ONLY. INSTALL IN ADJACENT LANDSCAPE AREA.
2. ALL LATERAL LINES ARE 3/4" CLASS 200 PVC UNLESS OTHERWISE NOTED ON PLAN.
3. SLEEVES INTENDED FOR LATERAL LINES ARE TO BE ONE-TWO INCH SLEEVE AND ARE TO BE NO MORE THAN A DEPTH OF TWO FEET BELOW TOP OF CURB. SLEEVES SHOULD EXTEND A MINIMUM OF 2'-0" BEYOND CURB.
4. THE IRRIGATION CONTRACTOR SHALL INSPECT THE CURRENT IRRIGATION SYSTEM AND ESTABLISH WHETHER THE SYSTEM NEEDS TO BE UPDATED TO COMPLY WITH ALL CITY AND STATE CODES BEFORE SUBMITTING BID FOR SERVICES.
5. IRRIGATION CONTRACTOR SHALL COORDINATE WITH THE GENERAL CONTRACTOR WHEN BORING AND SAW-CUTTING FOR SLEEVE INSTALLATION. REFER TO ARCHITECTURE AND CIVIL PLANS FOR ALL PROPOSED DEMOLITION AND SPECIFICATIONS OF PAVING MATERIALS. THE GENERAL CONTRACTOR SHALL APPROVE ALL SAW-CUT LOCATIONS ON SITE BEFORE ANY CUTTING SHALL TAKE PLACE.
6. IRRIGATION CONTRACTOR TO INSTALL DRIP IRRIGATION 6" FROM CURB EDGES WITH EIGHTEEN INCH ROW SPACING AND EIGHTEEN INCH EMITTER SPACING PER HUNTER SPECIFICATIONS.
7. 48 HOURS BEFORE IRRIGATION CONSTRUCTION BEGINS, INSTALLERS MUST CALL (800) DIG-TESS.