

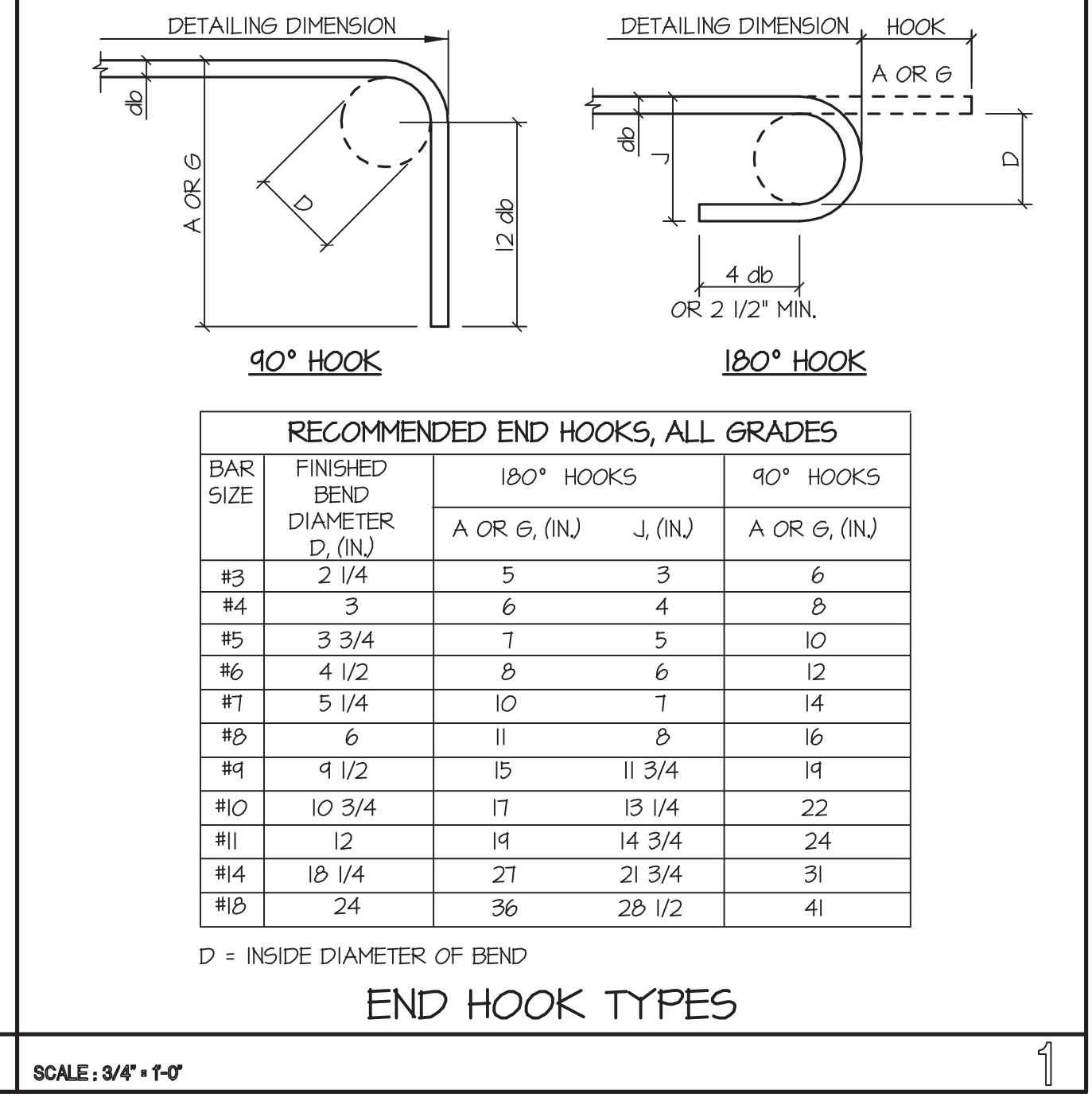
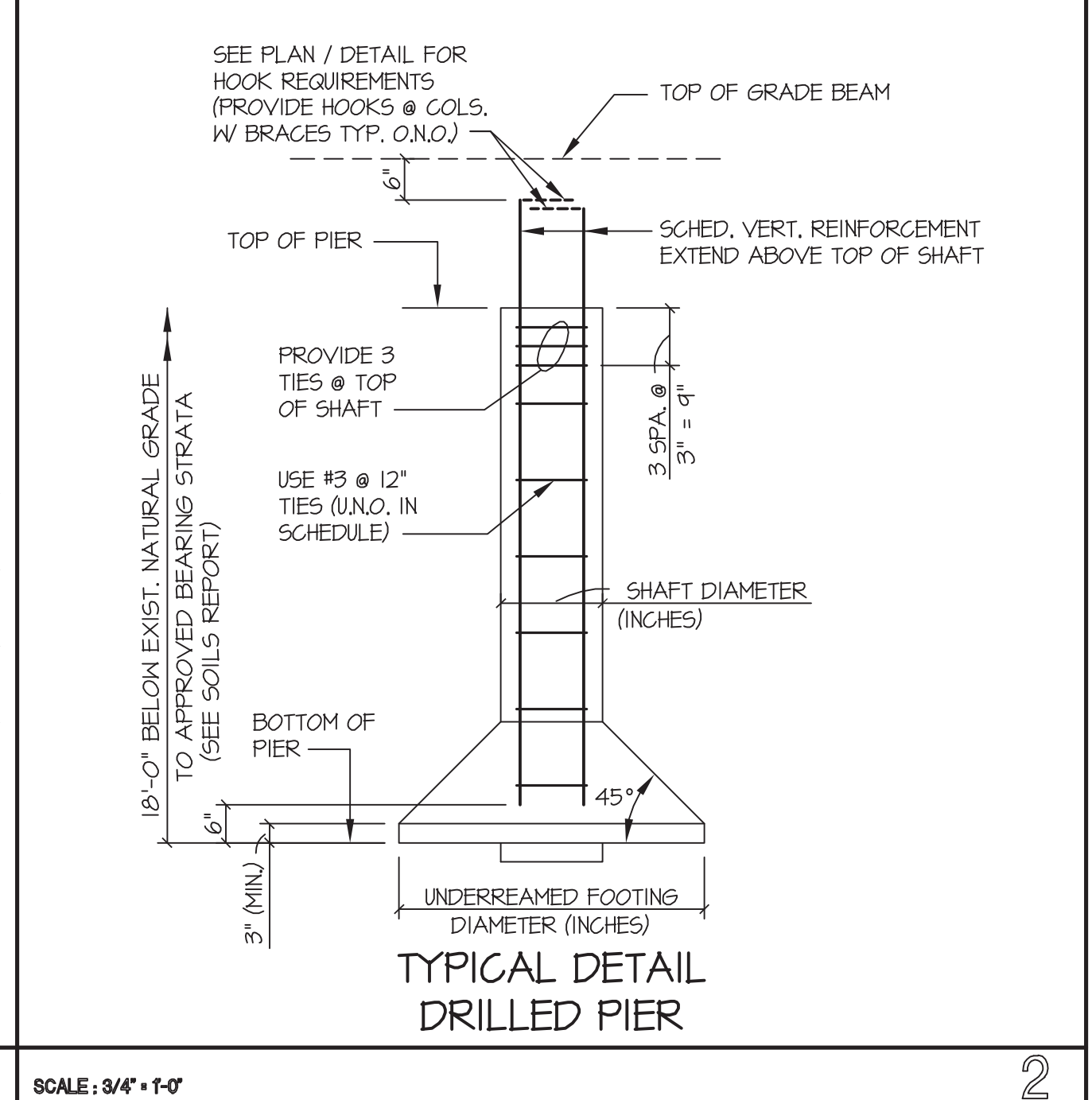
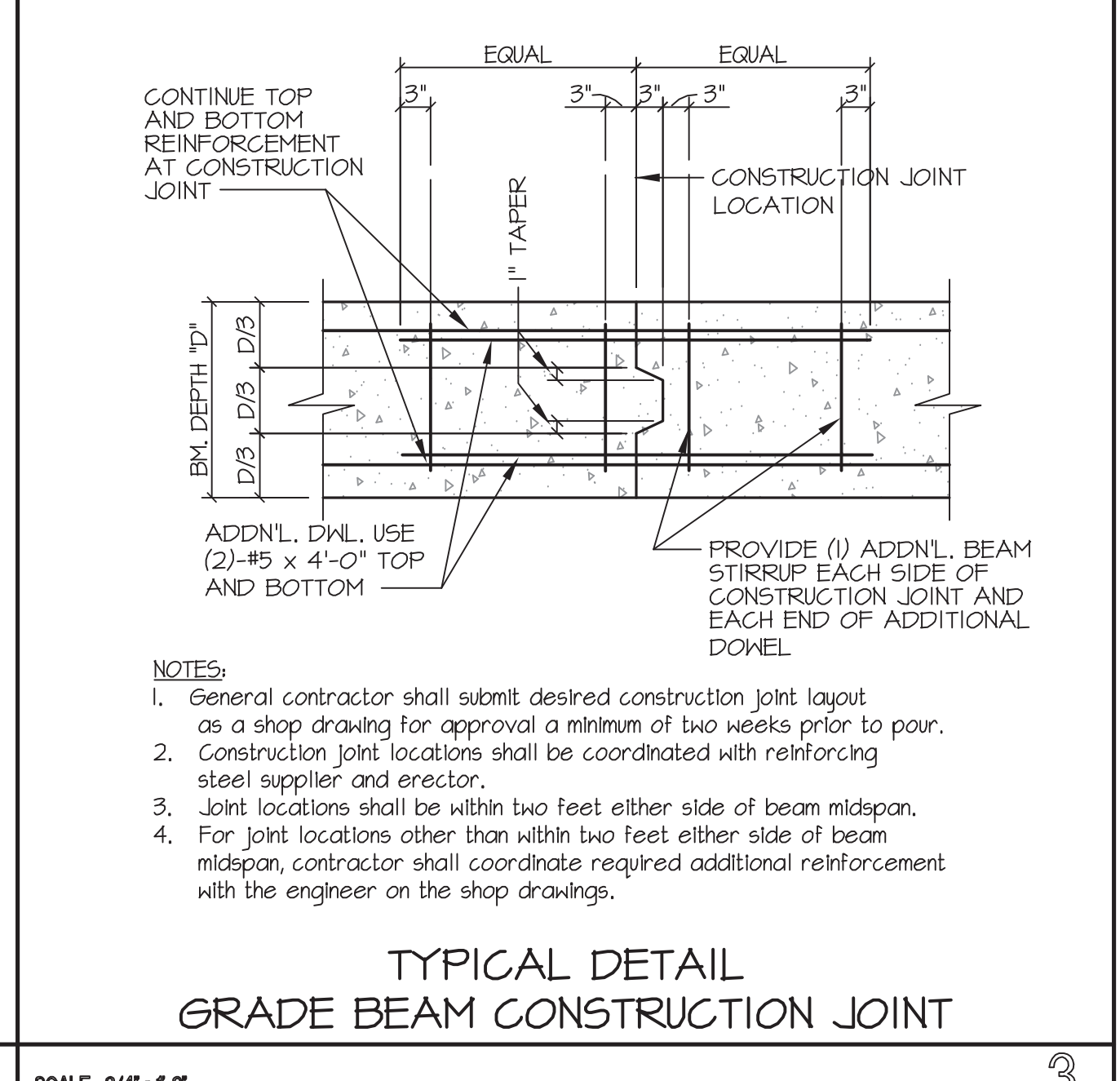
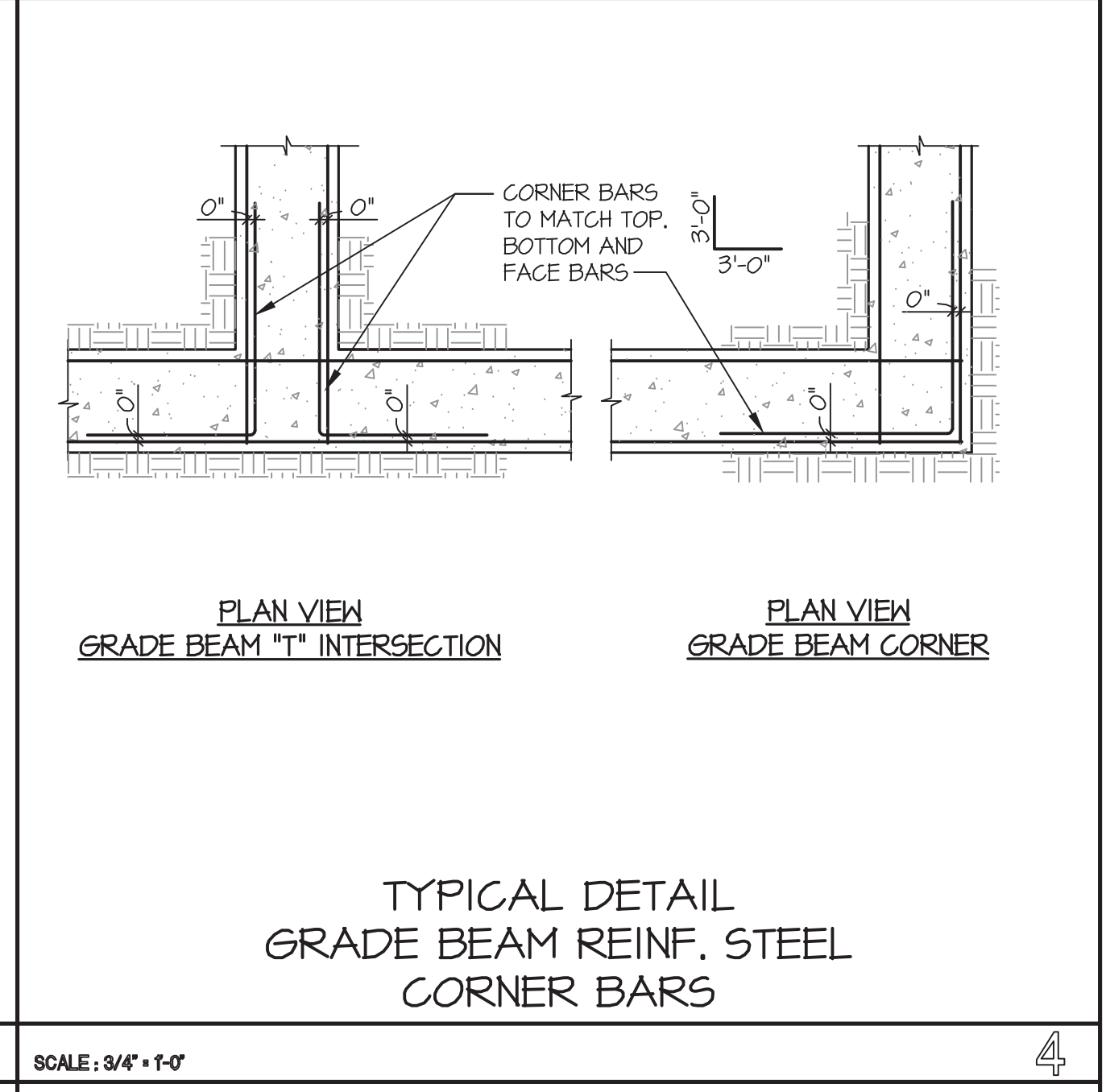
**Hermes Architects**  
Members A.I.A.  
1177 West Loop South, Ste. 300  
Houston, Texas 77027  
Tel. 713-765-3644  
www.hermesarchitects.com  
Houston - Dallas - Ft. Worth

This document is an instrument of service protected by the copyright law of the United States of America, 17 U.S.C. § 102, and shall not be copied or reproduced without the express written consent of Hermes Architects, Inc.

**CROSSROADS MALL RENOVATION**  
GREENVILLE  
PROPERTIES, L.T.D.  
6834 WESTLEY STREET  
GREENVILLE, TEXAS 75401  
**Crossroads**  
GREENVILLE PROPERTIES LTD.

DATE: June 6, 2011  
PROJECT NO.: 809501  
DRAWN BY: BN  
CHECKED BY: GS

**FOUNDATION DETAILS**



**DRILLED PIER VERTICAL REINFORCEMENT SCHEDULE**

SHAFT DIAMETER (INCHES)	VERTICAL REINFORCEMENT	TIES (USE #3 @ 12" U.N.O.)
12	3 - #5	
14, 16	4 - #5	
18, 20	4 - #6	
22, 24, 26	5 - #7	
28, 30	5 - #8	
36	5 - #9	
42	7 - #9	
48	7 - #10	
54	9 - #10	
60	9 - #11	#4 @ 12"
66	11 - #11	#4 @ 12"
72	13 - #11	#4 @ 12"

**SHAFT BAR PLACEMENT PLANS**

