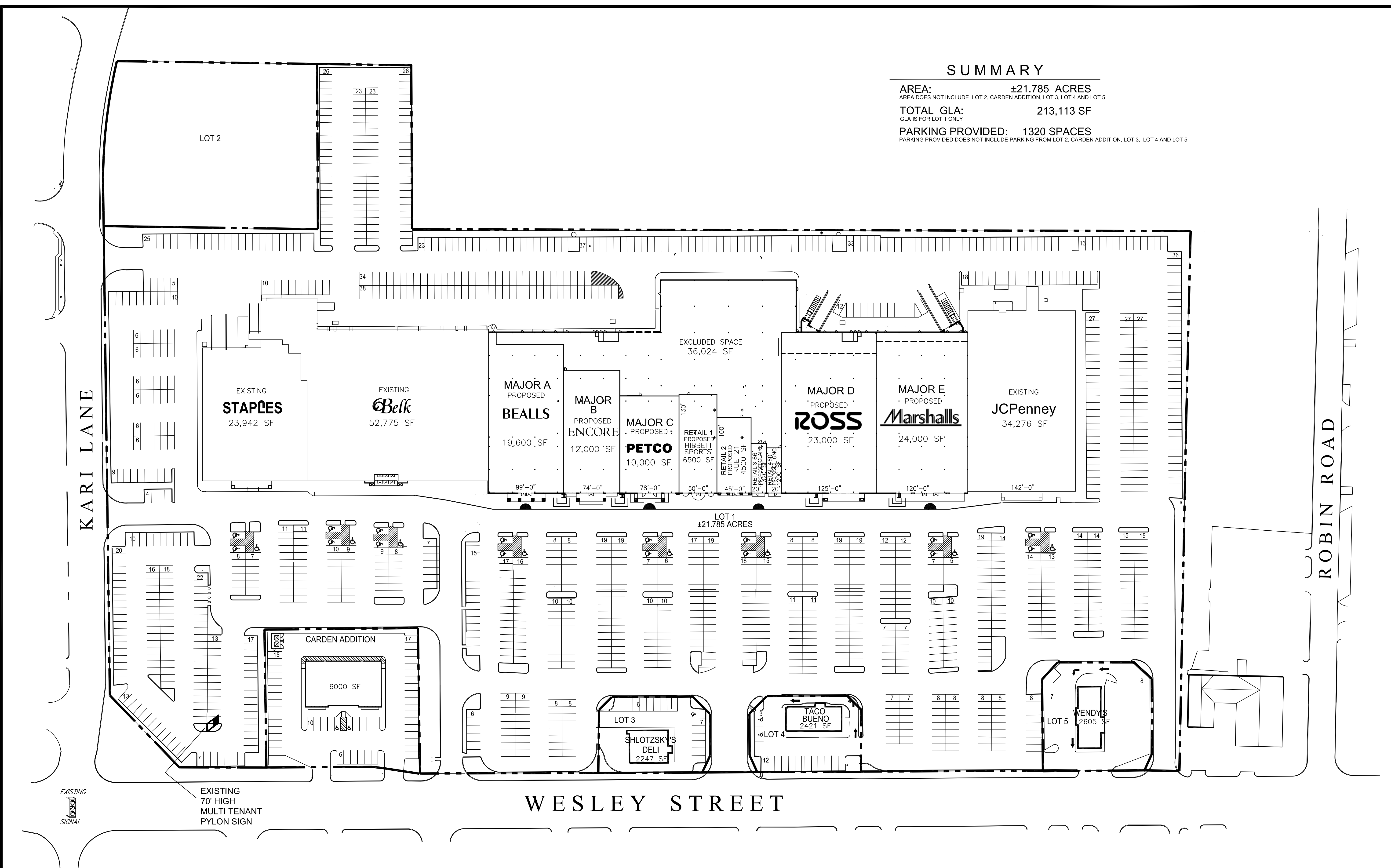


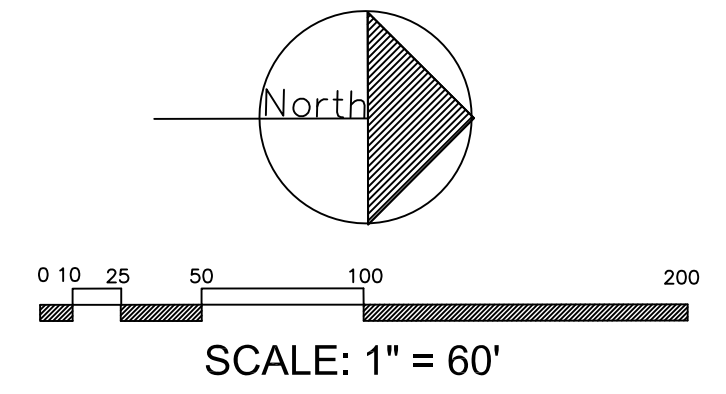
**SUMMARY**

AREA: ±21.785 ACRES  
 AREA DOES NOT INCLUDE LOT 2, CARDEN ADDITION, LOT 3, LOT 4 AND LOT 5  
 TOTAL GLA: 213,113 SF  
 GLA IS FOR LOT 1 ONLY  
 PARKING PROVIDED: 1320 SPACES  
 PARKING PROVIDED DOES NOT INCLUDE PARKING FROM LOT 2, CARDEN ADDITION, LOT 3, LOT 4 AND LOT 5



DIMENSIONS, CONFIGURATION AND/OR TENANTS IDENTITIES SHOWN MAY NOT REFLECT ACTUAL CONDITIONS. ACTUAL CONDITIONS MUST BE VERIFIED ON THE PREMISES. NO REPRESENTATIONS OR WARRANTIES ARE EXPRESSED OR IMPLIED BY THIS DRAWING. THIS PLAN IS FOR LEASING INFORMATION ONLY AND IS SUBJECT TO CHANGE.

**DEVELOPMENT PLAN**



**Crossroads Mall**  
 GREENVILLE, TX 75401  
 6834 WESLEY STREET