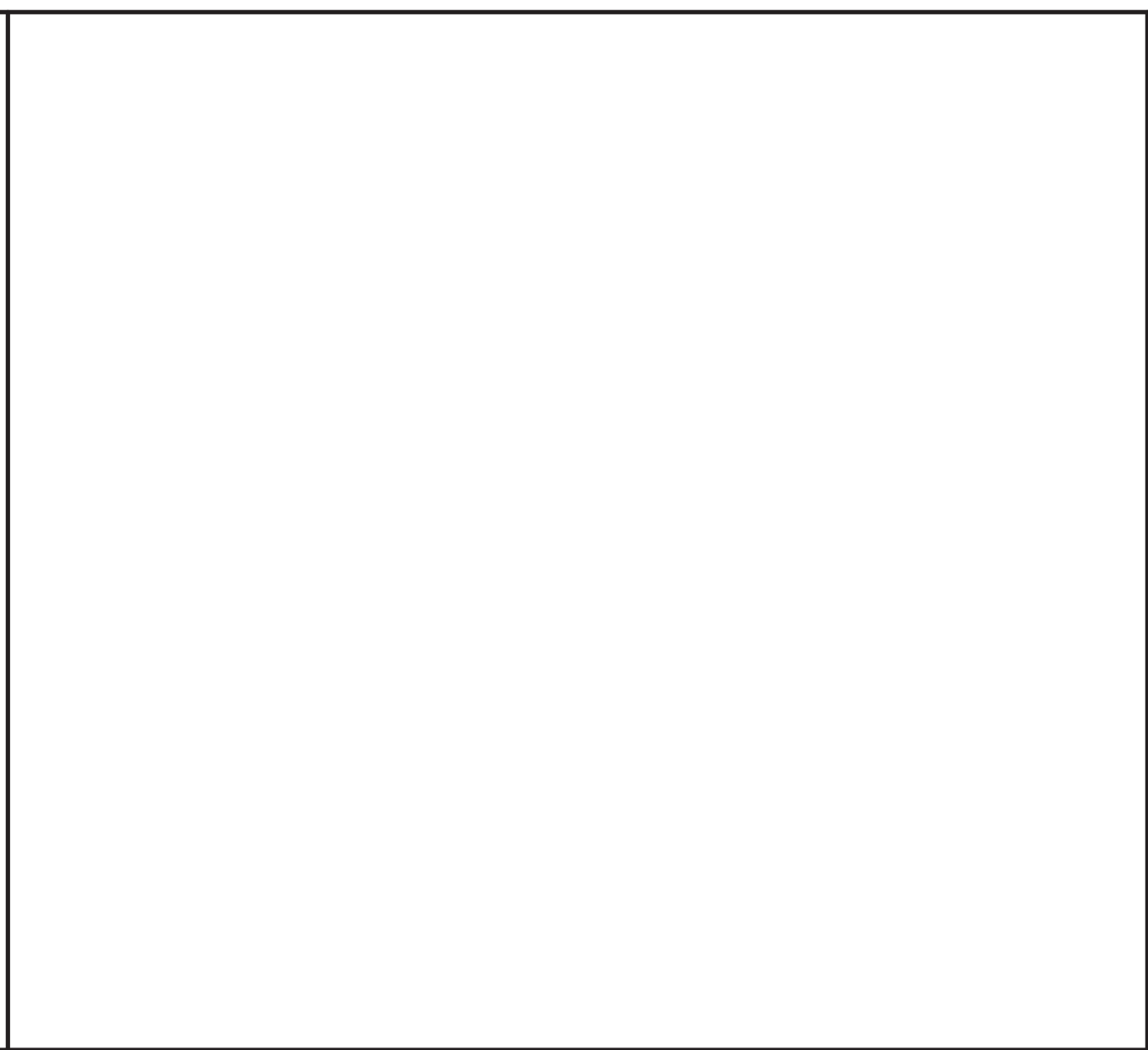
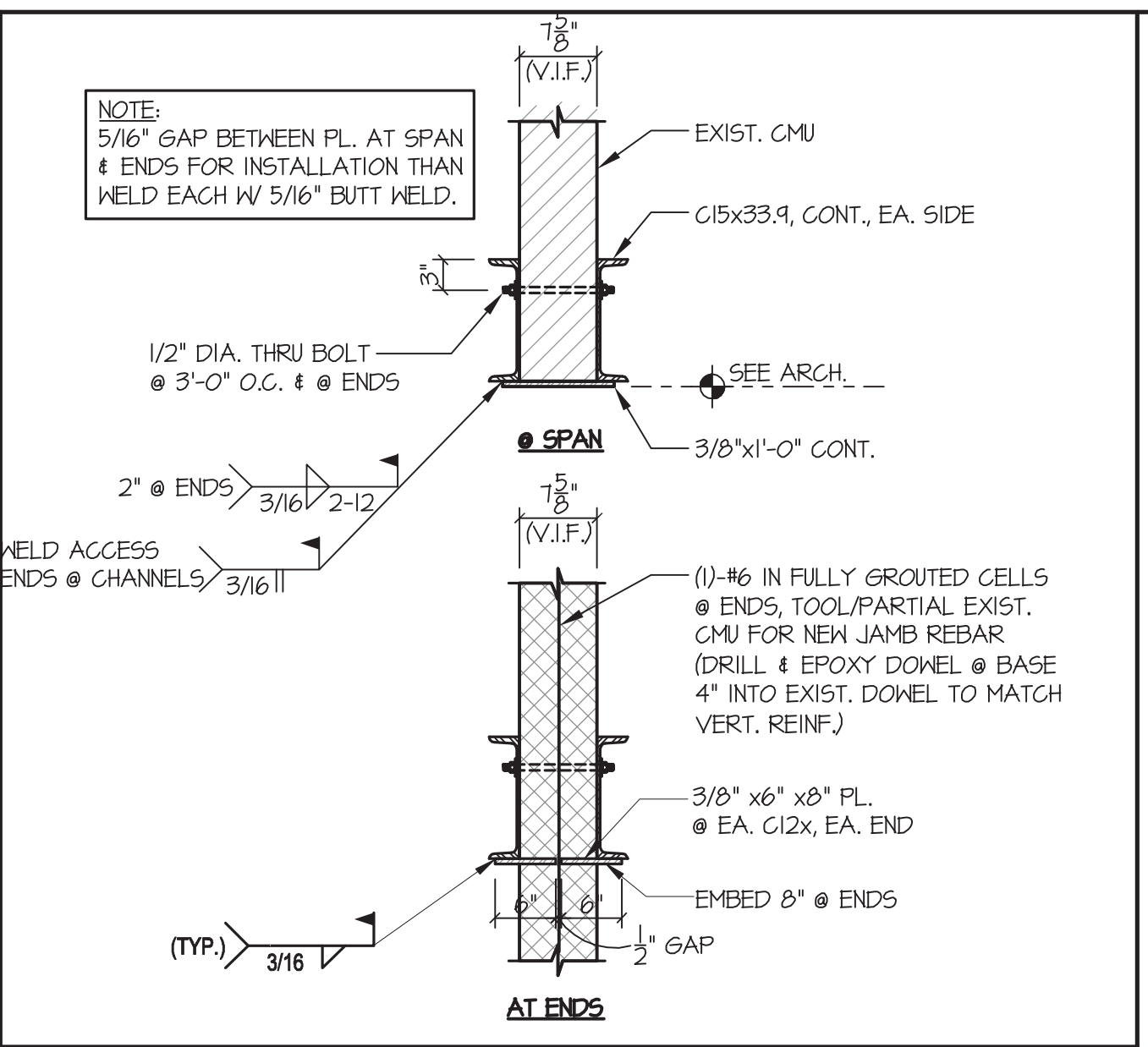


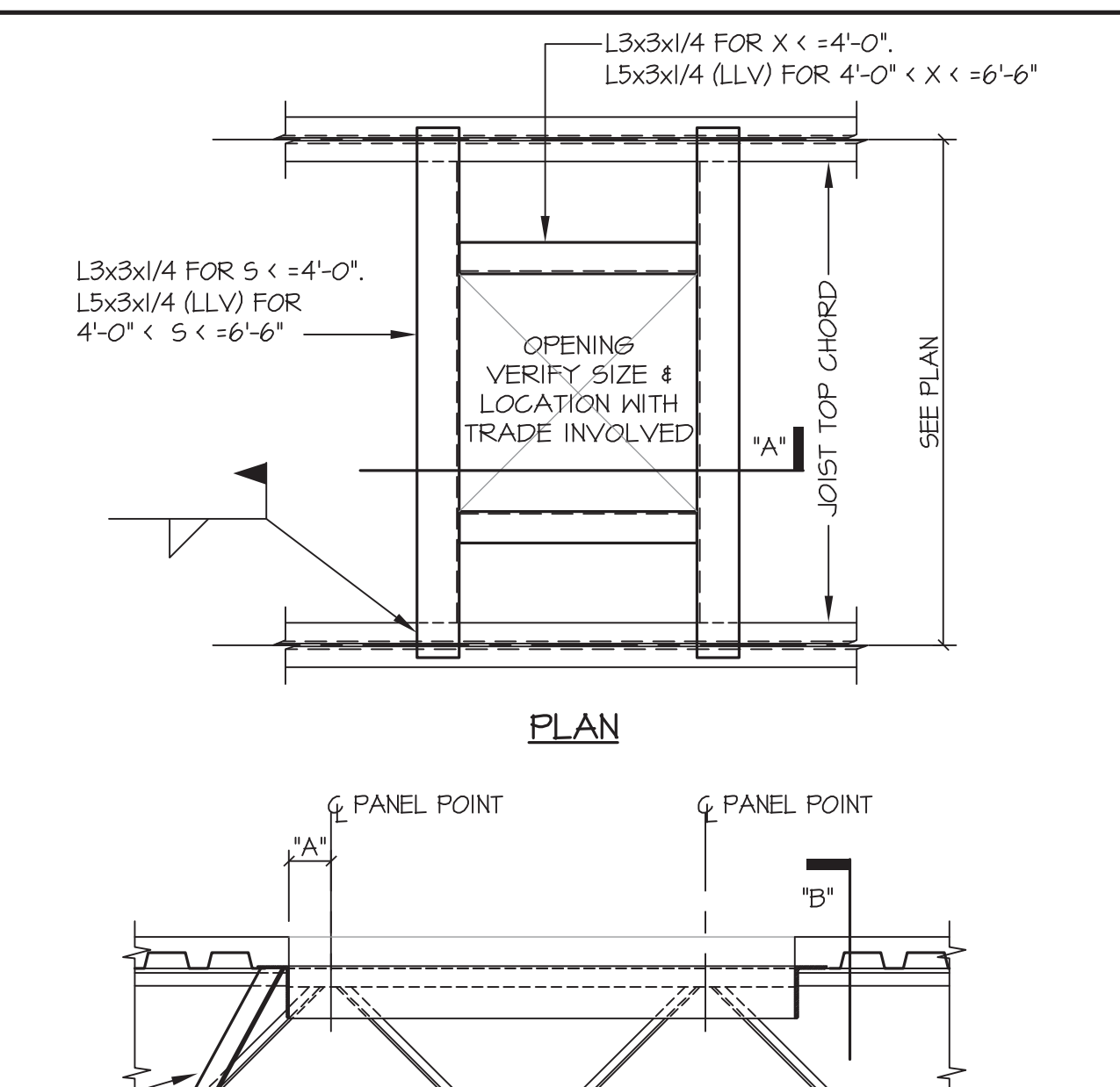
SCALE: 3/4" = 1'-0" 20 SCALE: NONE



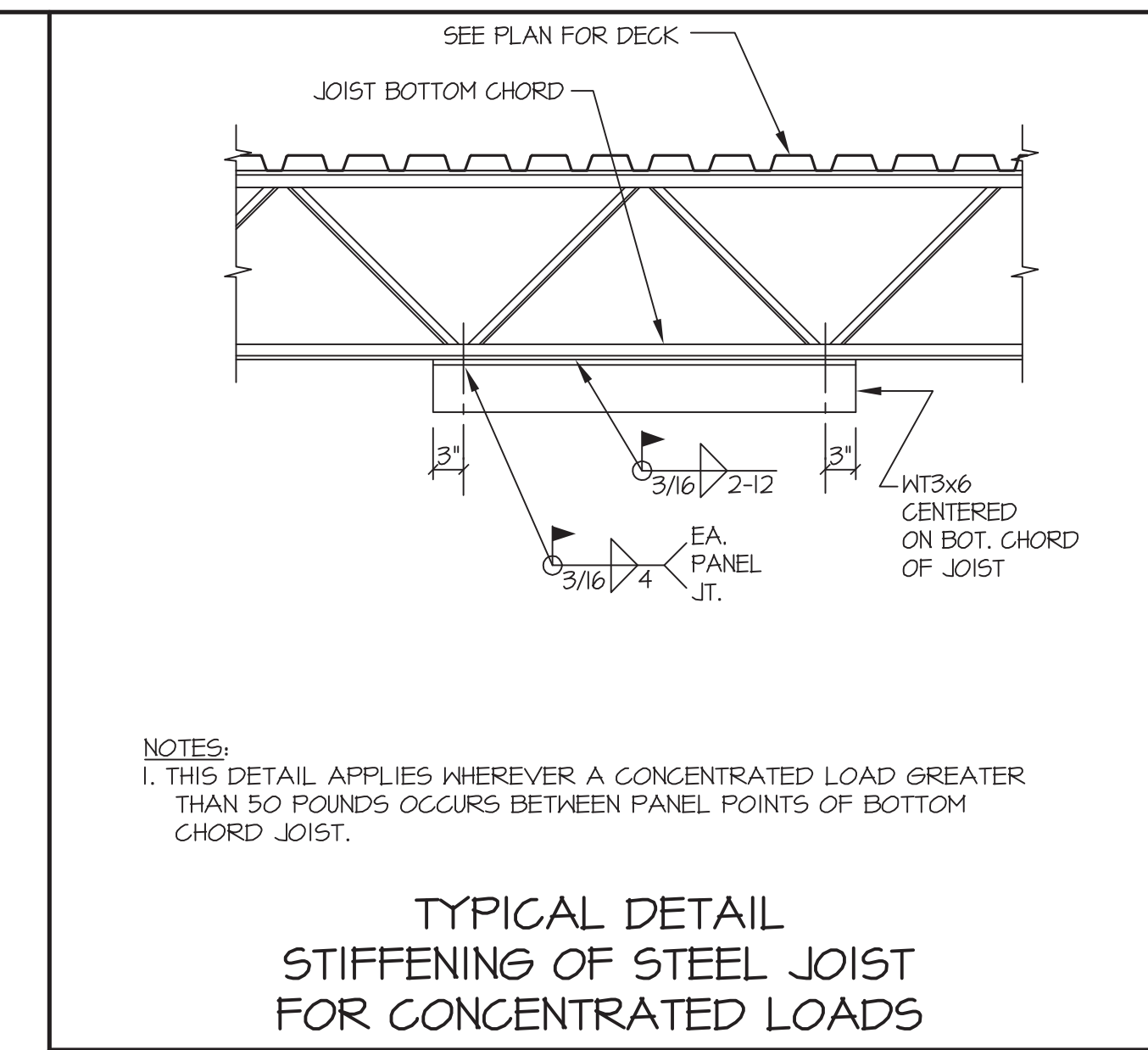
SCALE: 3/4" = 1'-0" 16 SCALE: NONE



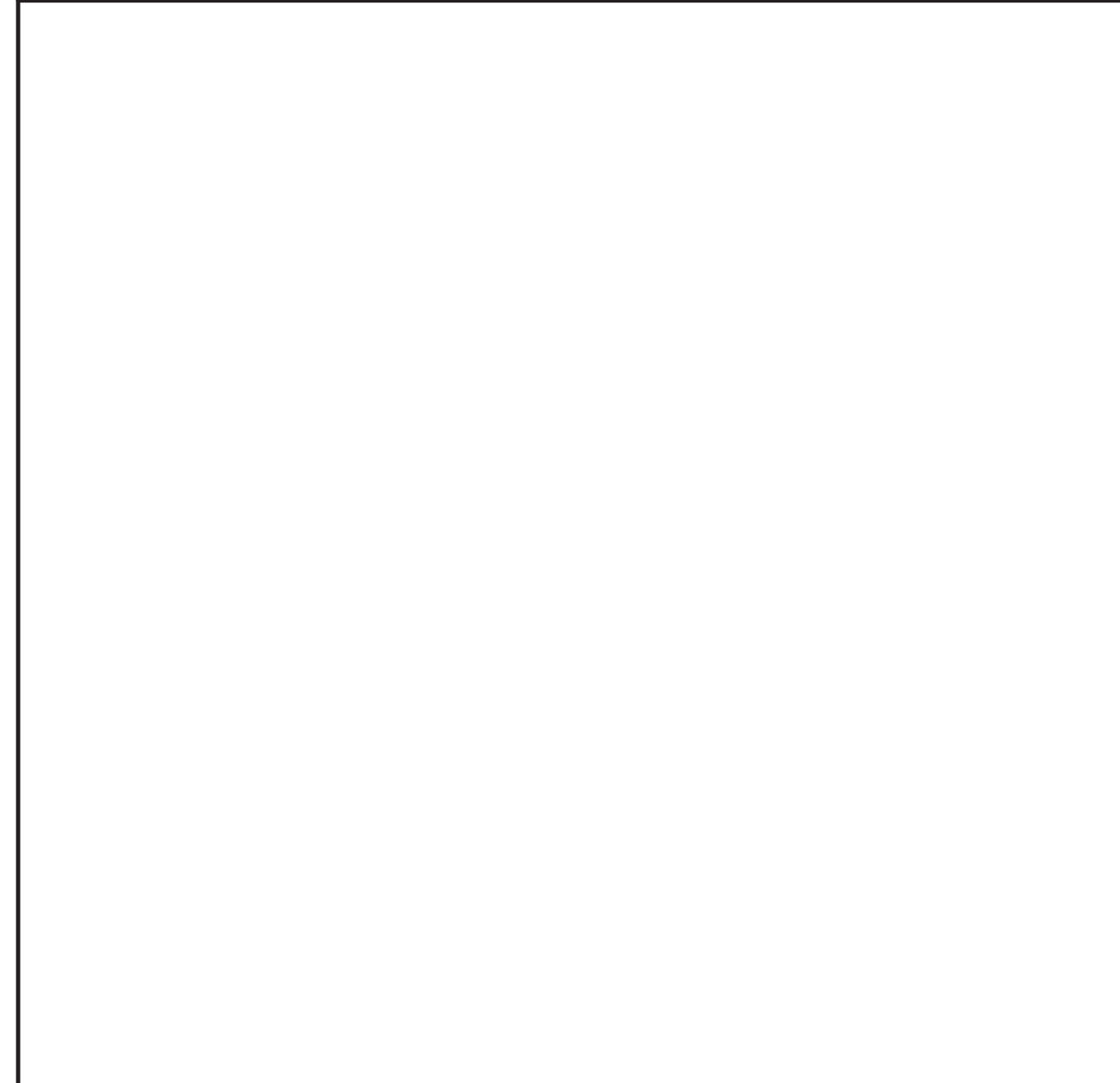
SCALE: 3/4" = 1'-0" 12 SCALE: NONE



SCALE: 3/4" = 1'-0" 4



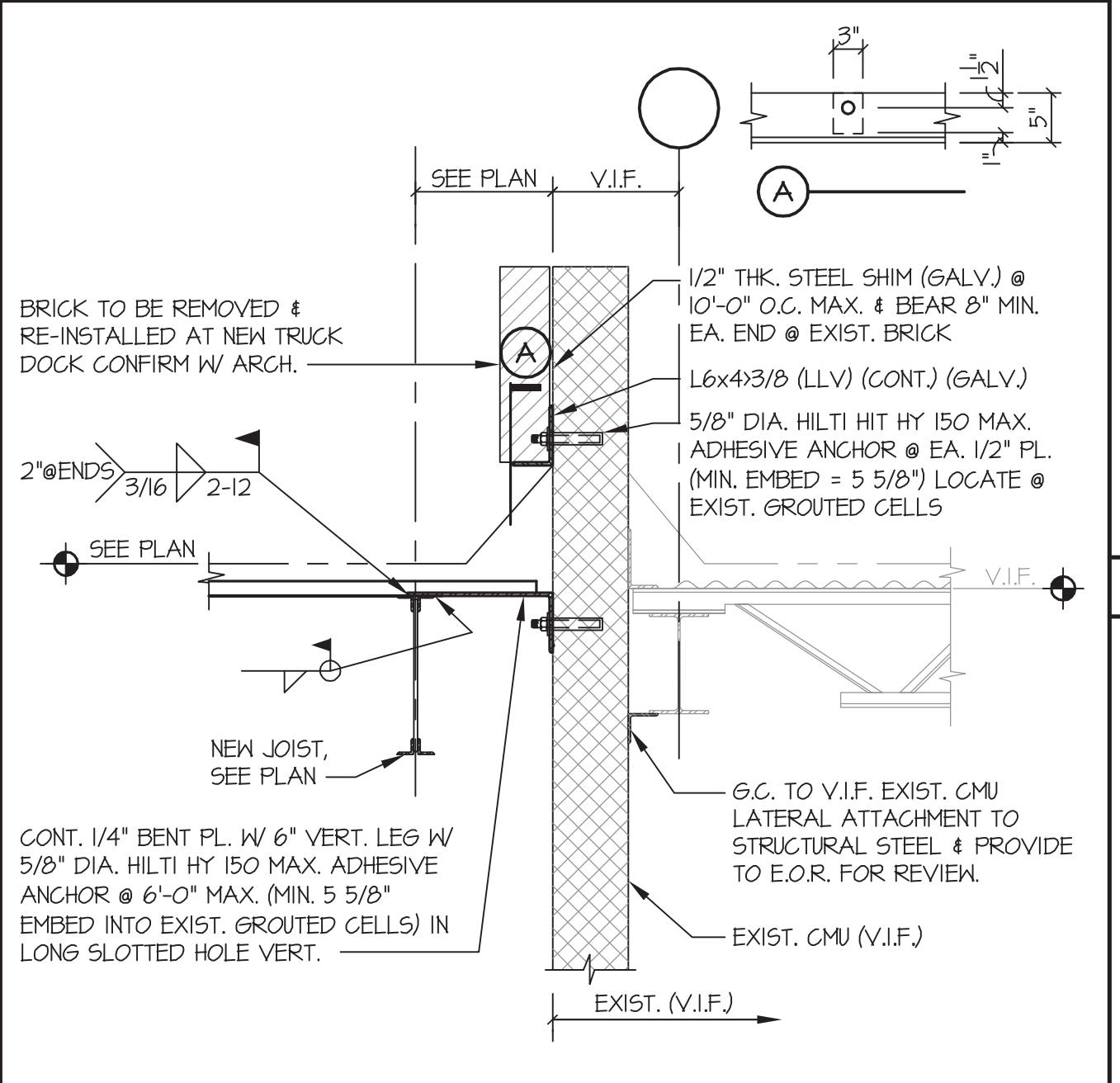
SCALE: 3/4" = 1'-0" 4



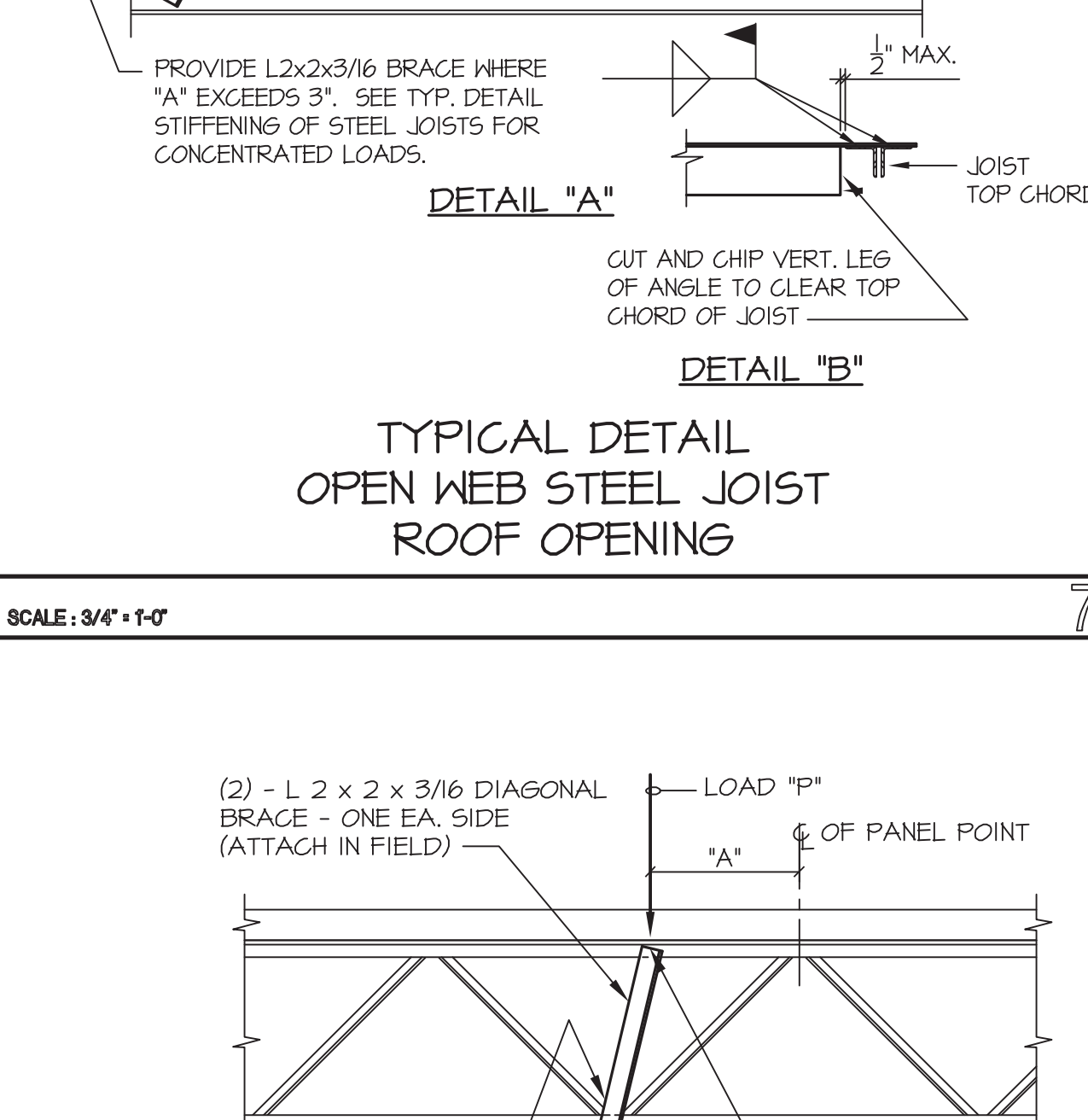
SCALE: 3/4" = 1'-0" 19 SCALE: 1/8" = 1'-0"



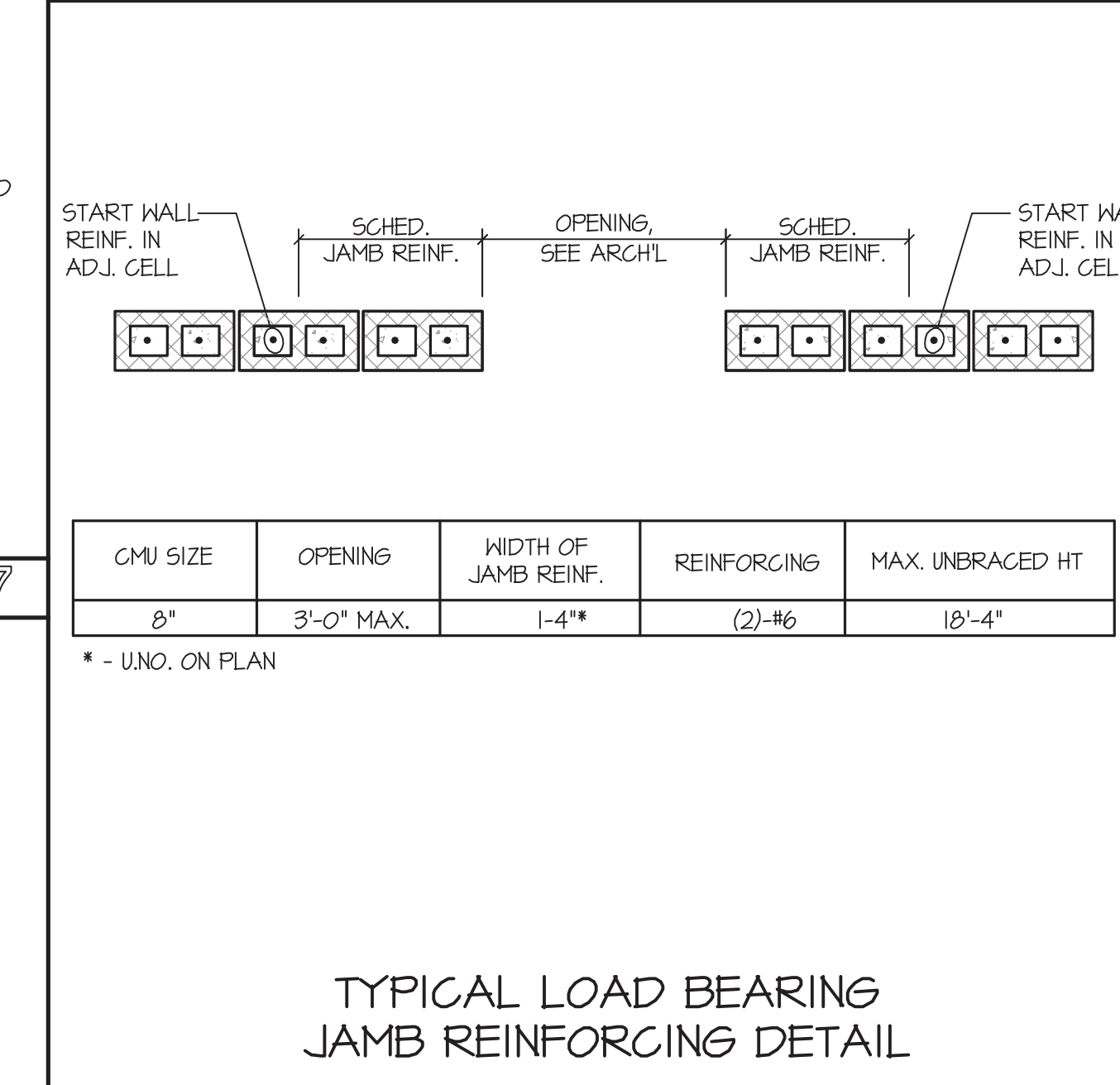
SCALE: 3/4" = 1'-0" 15 SCALE: 1/8" = 1'-0"



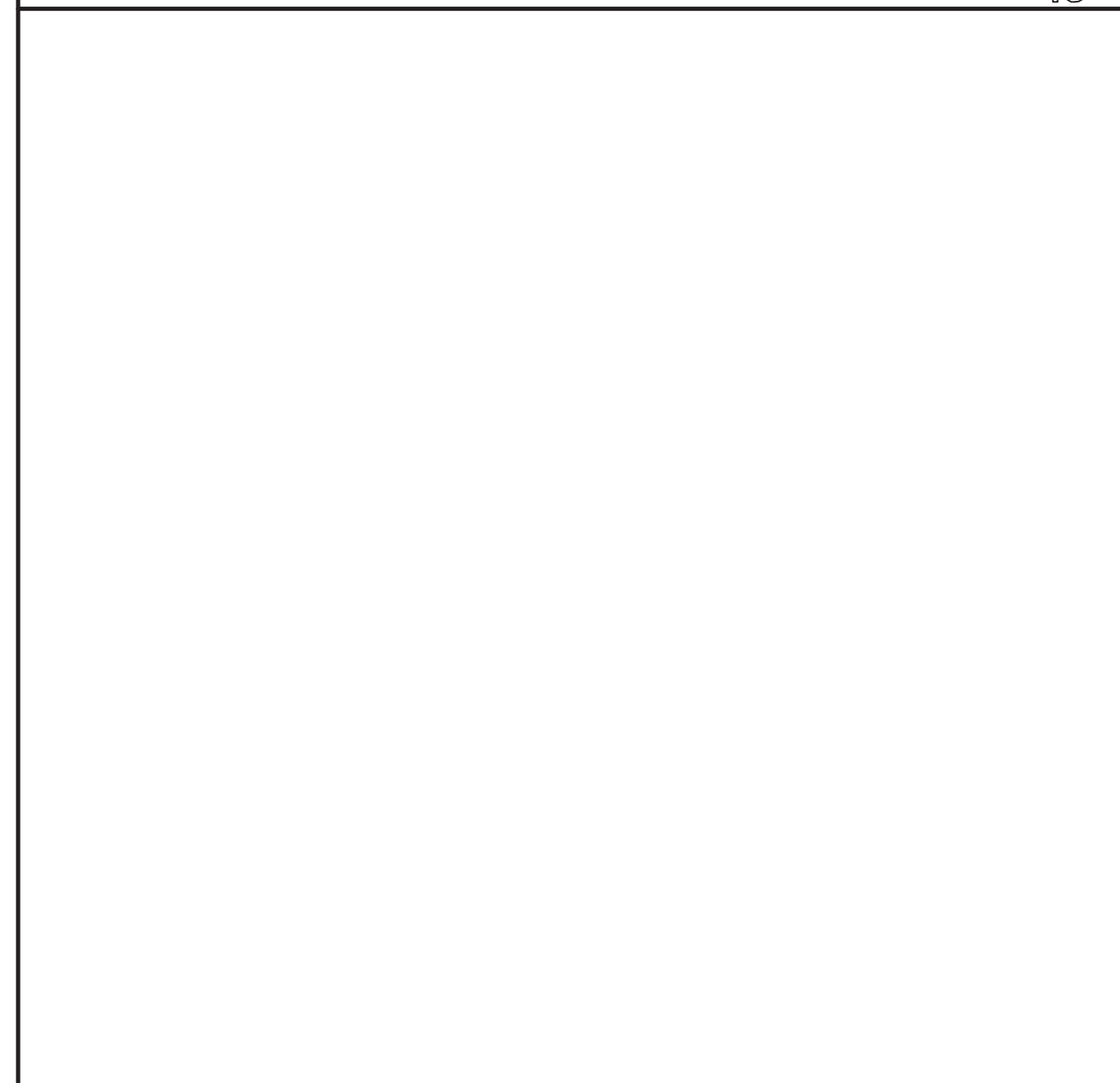
SCALE: 3/4" = 1'-0" 7



SCALE: 3/4" = 1'-0" 7



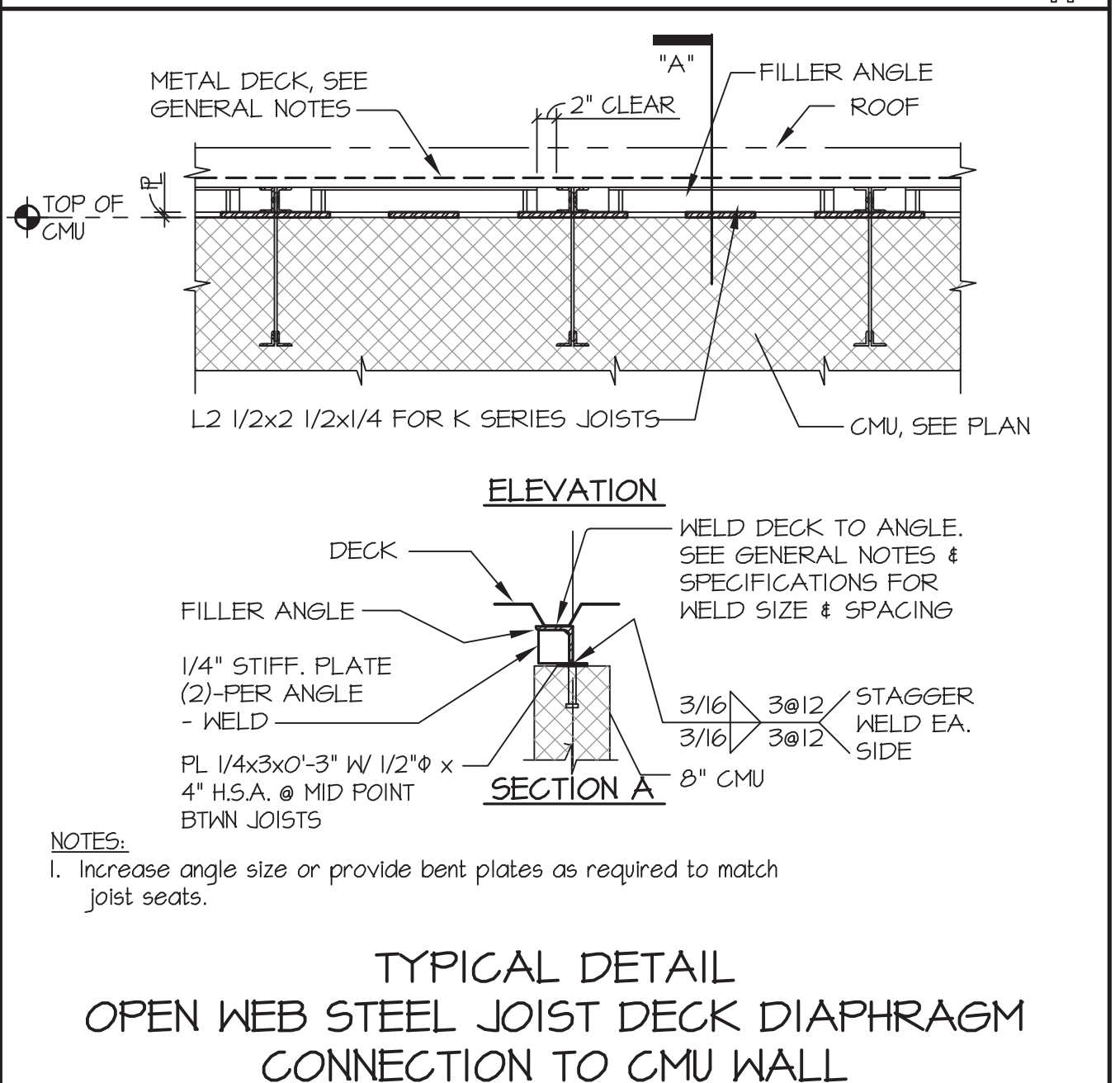
SCALE: 3/4" = 1'-0" 3



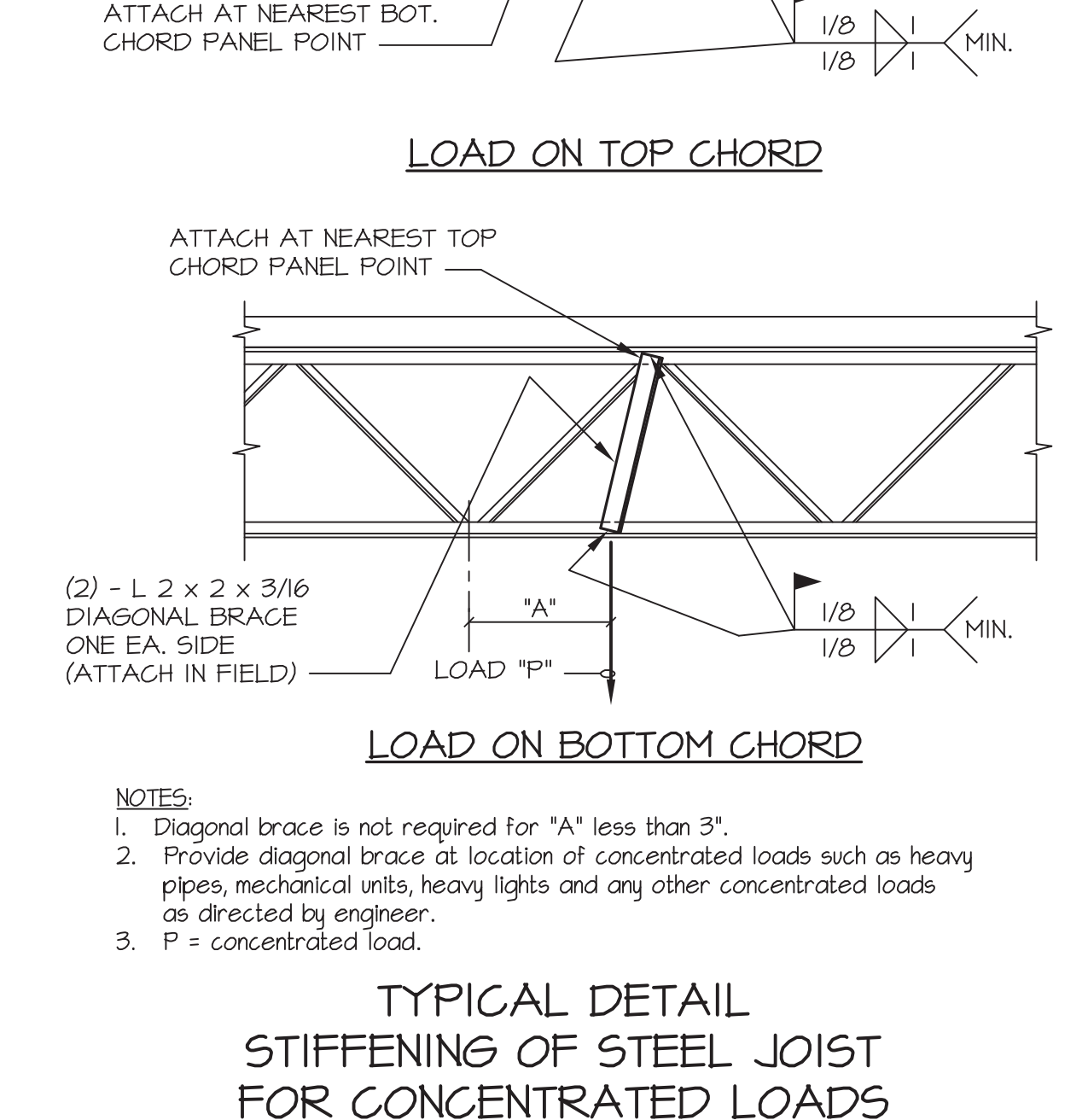
SCALE: 3/4" = 1'-0" 18 SCALE: 1/8" = 1'-0"



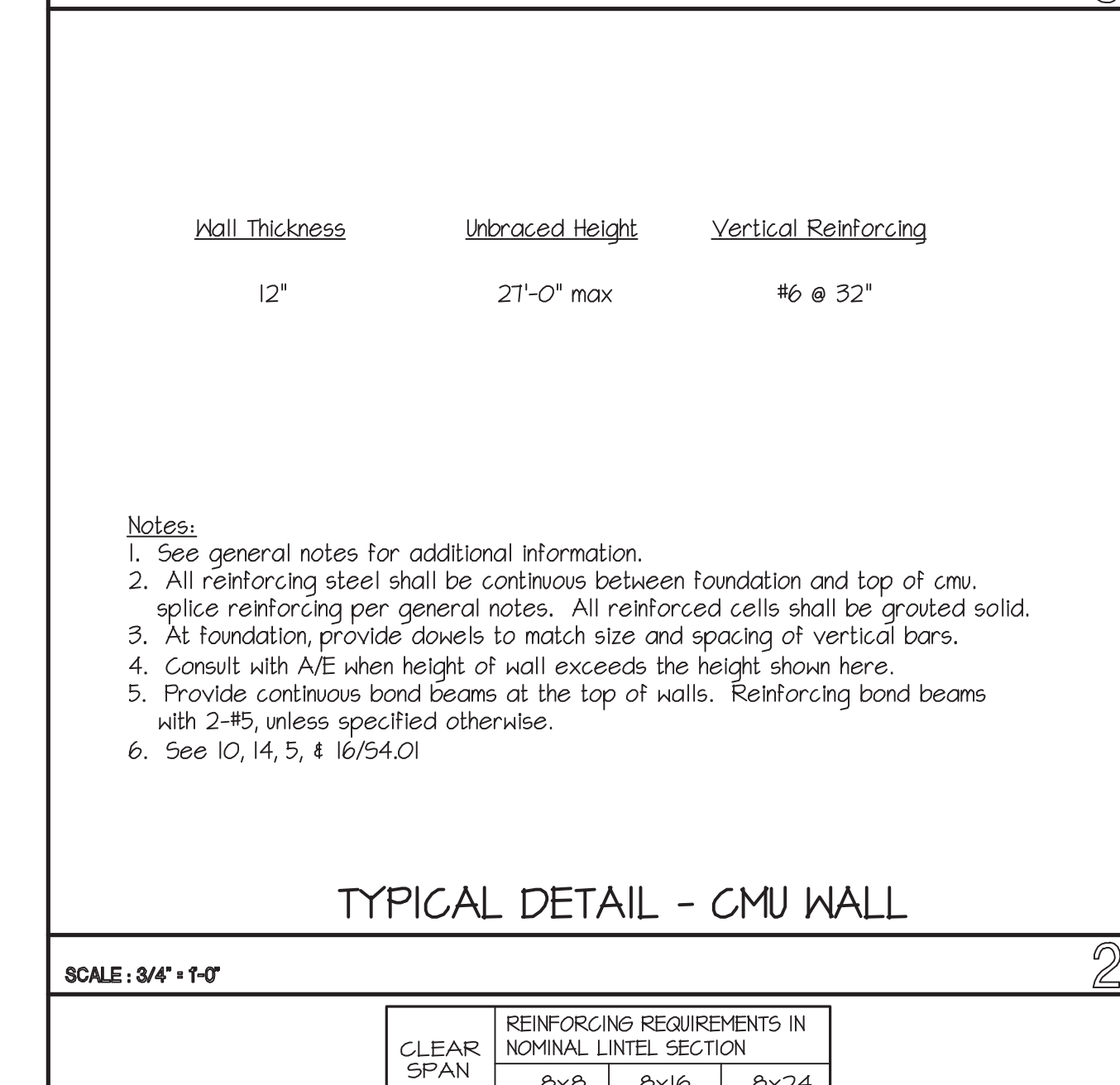
SCALE: 3/4" = 1'-0" 14 SCALE: 1/8" = 1'-0"



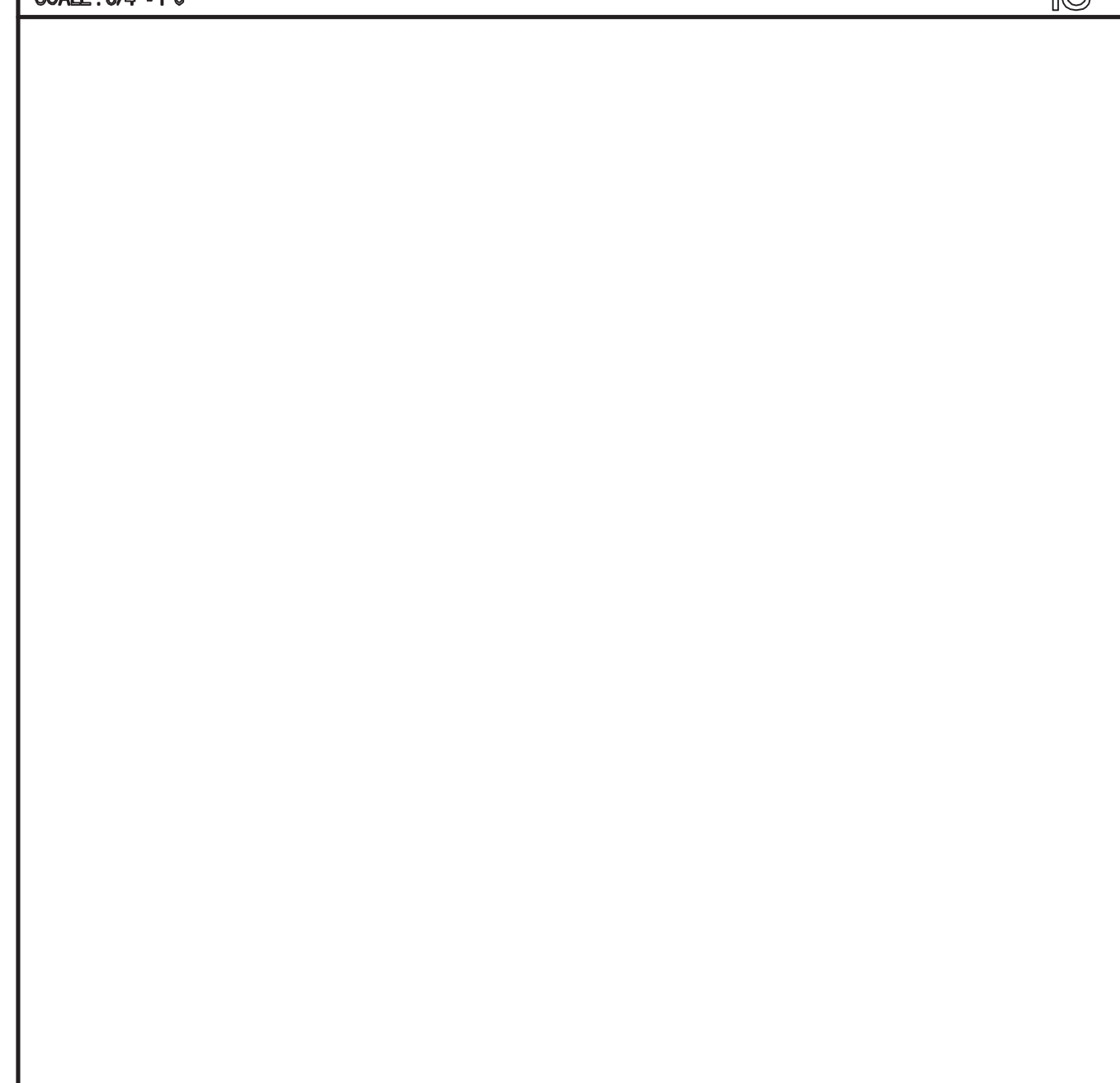
SCALE: 3/4" = 1'-0" 10 SCALE: 3/4" = 1'-0"



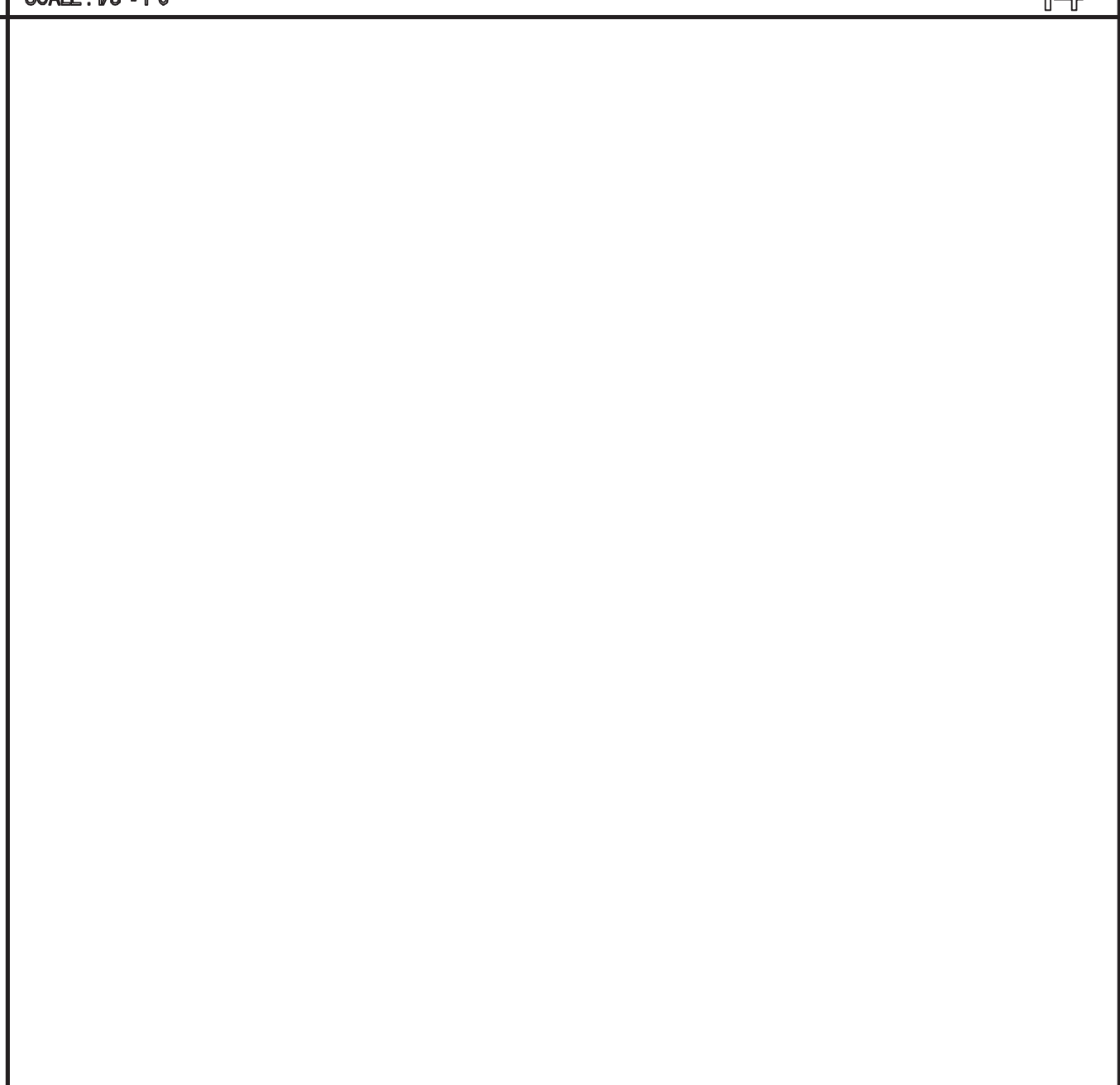
SCALE: 3/4" = 1'-0" 6



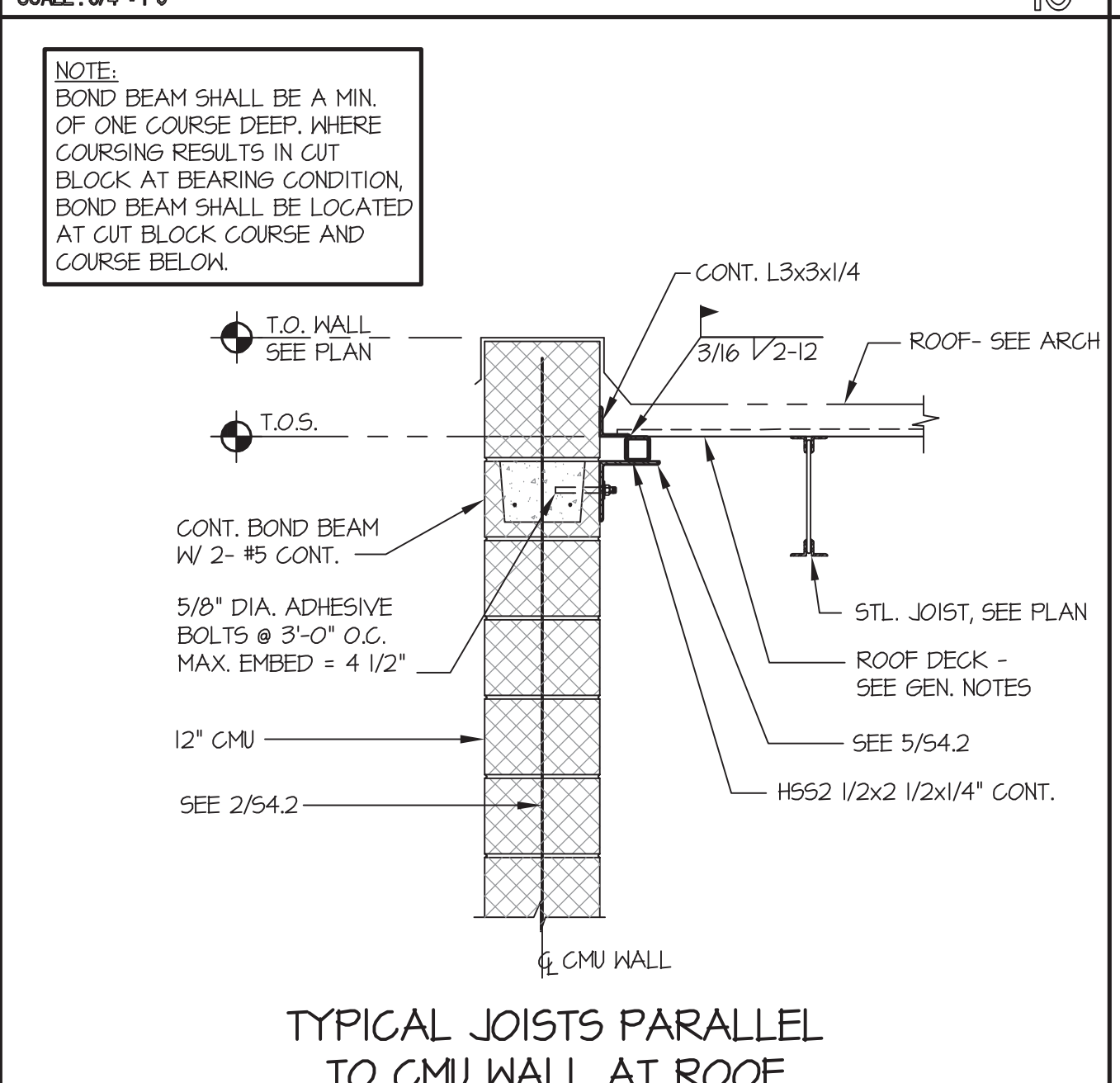
SCALE: 3/4" = 1'-0" 2



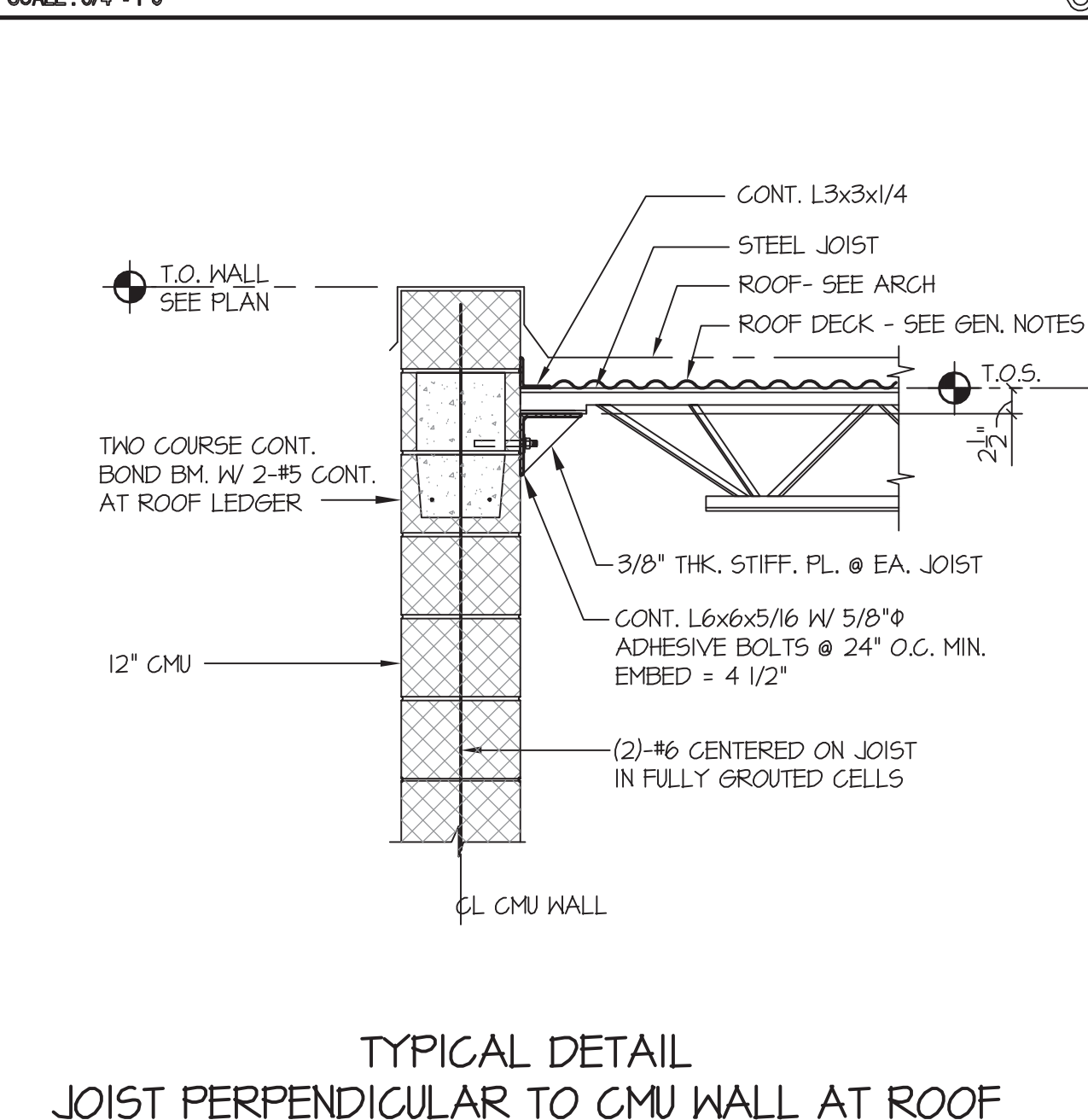
SCALE: 3/4" = 1'-0" 17 SCALE: 1/8" = 1'-0"



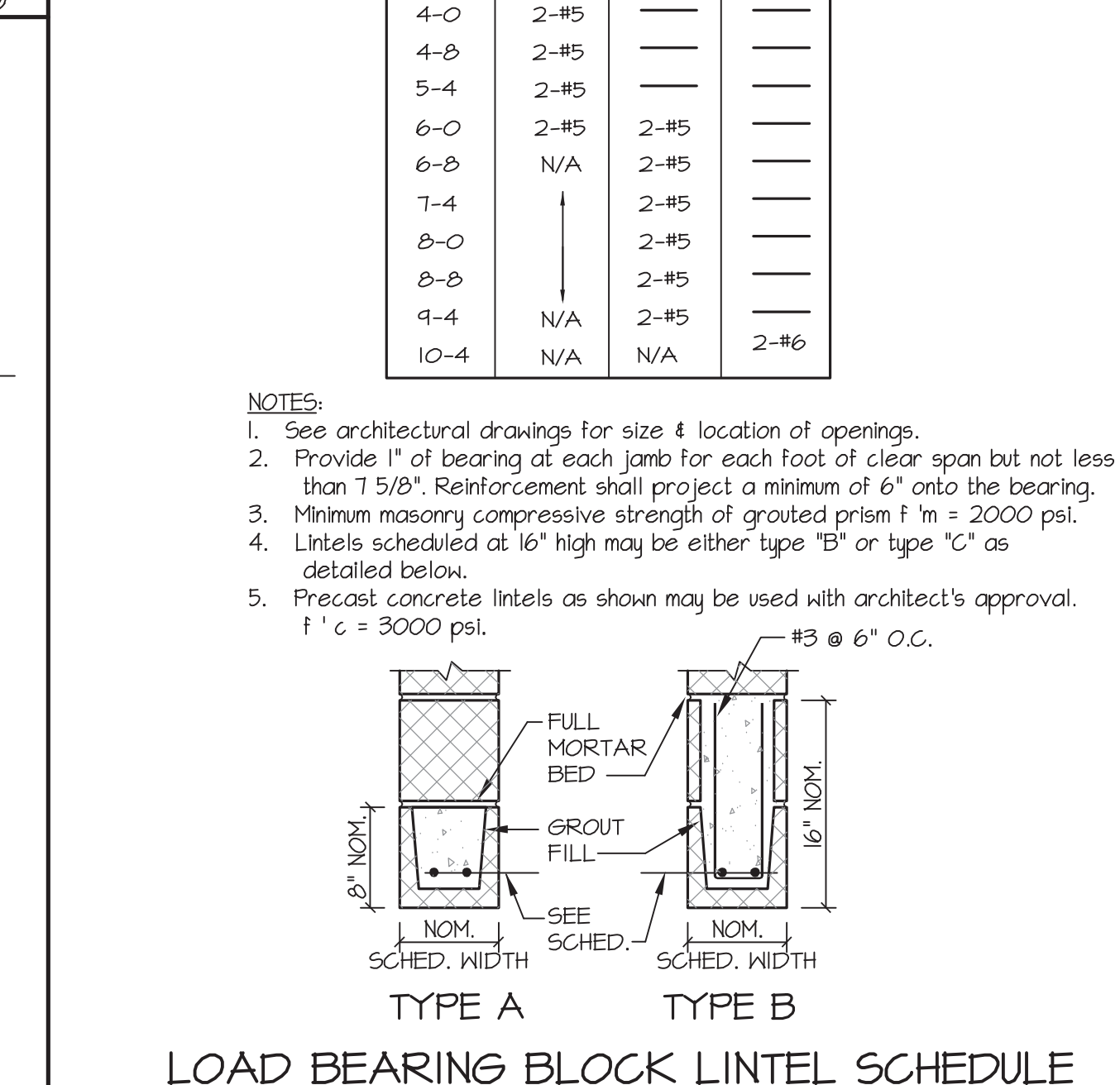
SCALE: 3/4" = 1'-0" 13 SCALE: 3/4" = 1'-0"



SCALE: 3/4" = 1'-0" 9



SCALE: 3/4" = 1'-0" 5



SCALE: 3/4" = 1'-0" 1

WINDLE + VOLPE
ARCHITECTS

HOUSTON, TEXAS 77065
7600 GRIFFITH

MATRIX STRUCTURAL ENGINEERS
24 GREENWAY PLAZA
SUITE 1500
HOUSTON, TEXAS 77046-2401
PHONE: (713) 684-0130
FAX: (713) 684-1370

Matrix Structural Engineers
TYPE: Firm Registration No. F-2840

DRAWINGS INCOMPLETE
THIS DOCUMENT FOR REVIEW ONLY. NOT INTENDED FOR PERMITTING, BIDDING, OR CONSTRUCTION PURPOSES.
MOYENUL HAQUE
72876
DATE: 05-30-13

MARSHALLS SHELL CROSSROADS MALL
GREENVILLE, TEXAS

GREENVILLE PROPERTIES LTD.
GREENVILLE, TEXAS

DATE: 5/20/2013
PRODUCT NO.: 08-12-03
DRAWN BY:

FRAMING DETAILS
S4.2

MSE-13024 24 OF 24
COPYRIGHT © 2013 WINDLE + VOLPE Architects