

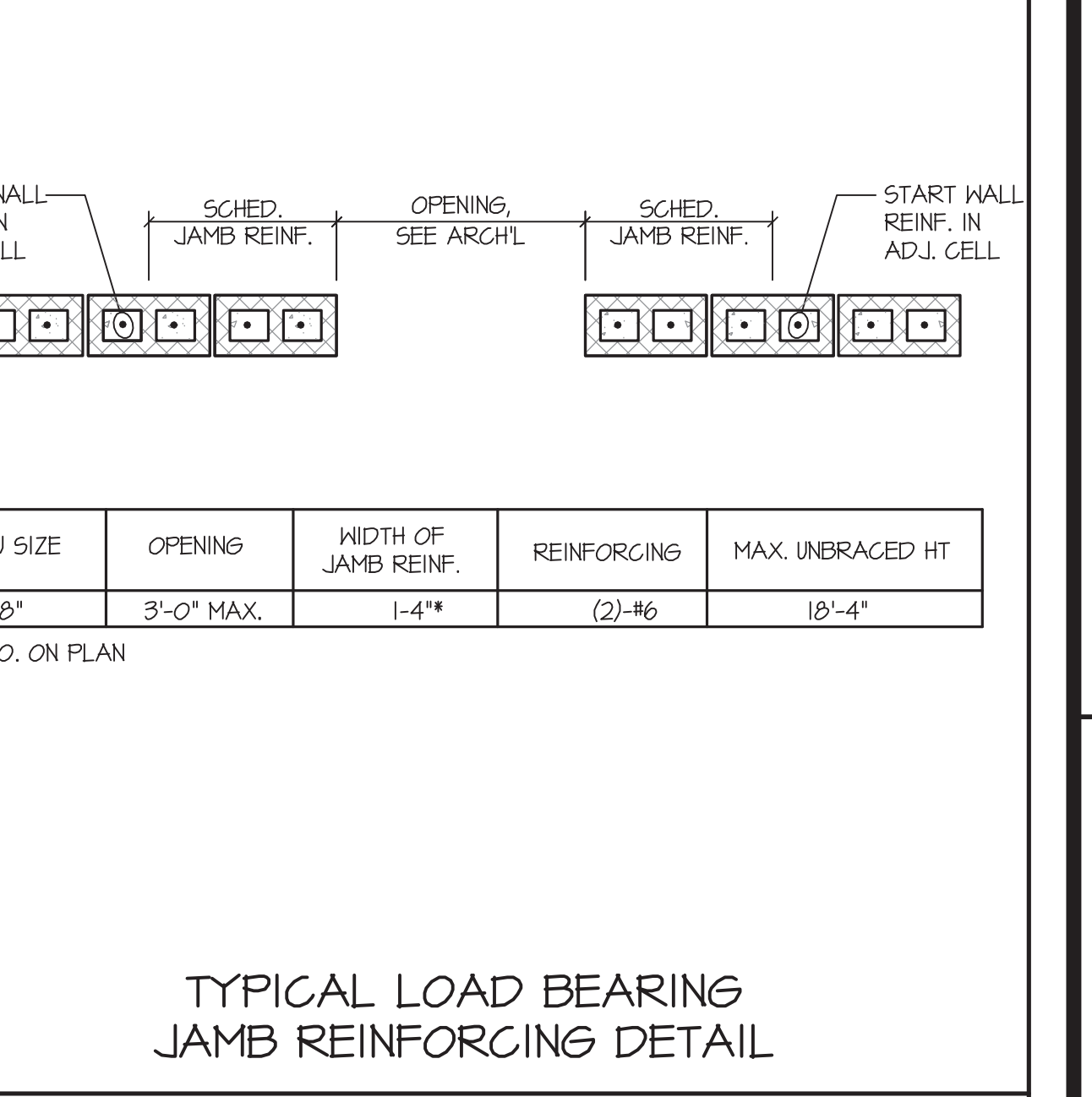
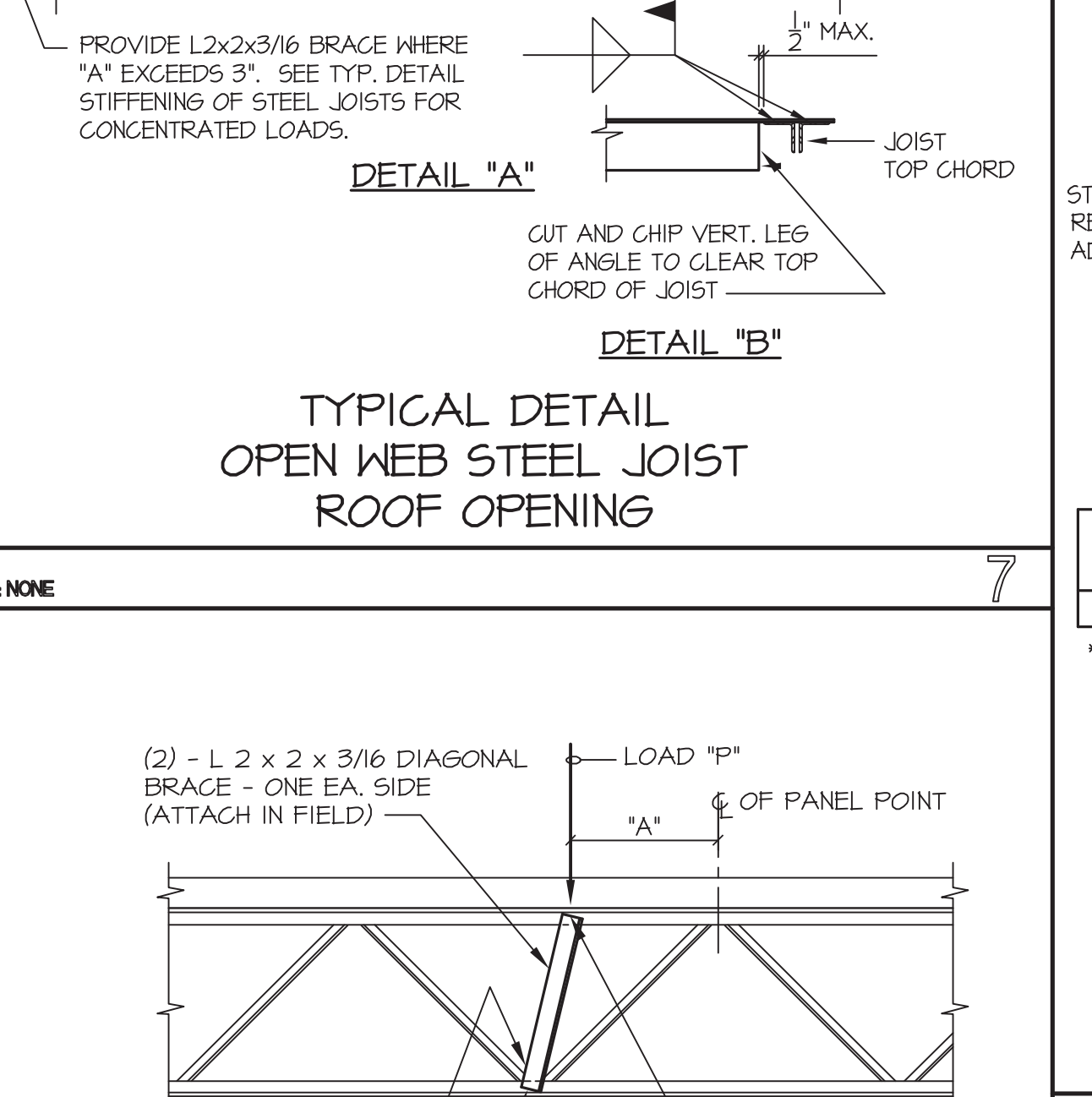
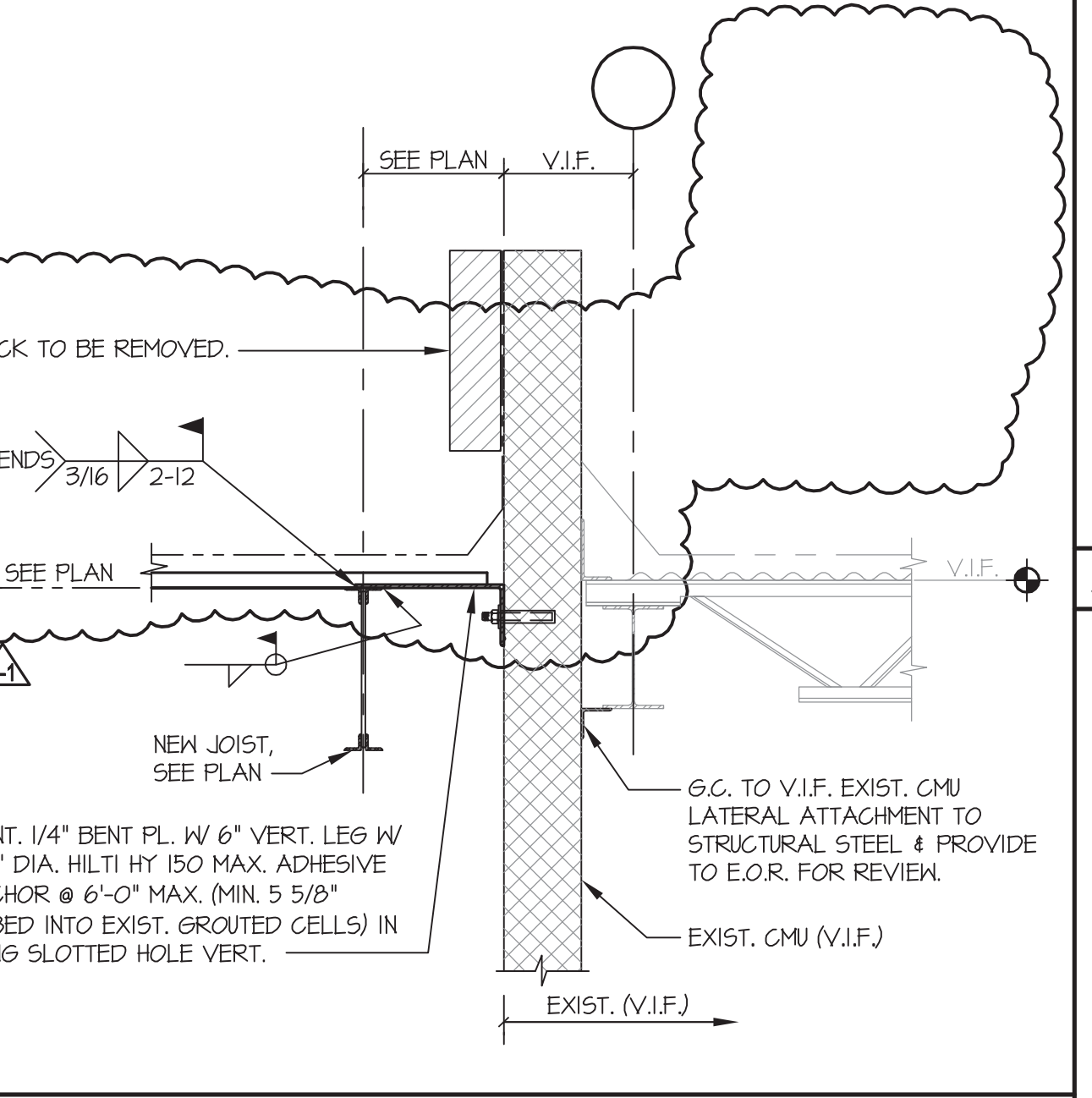
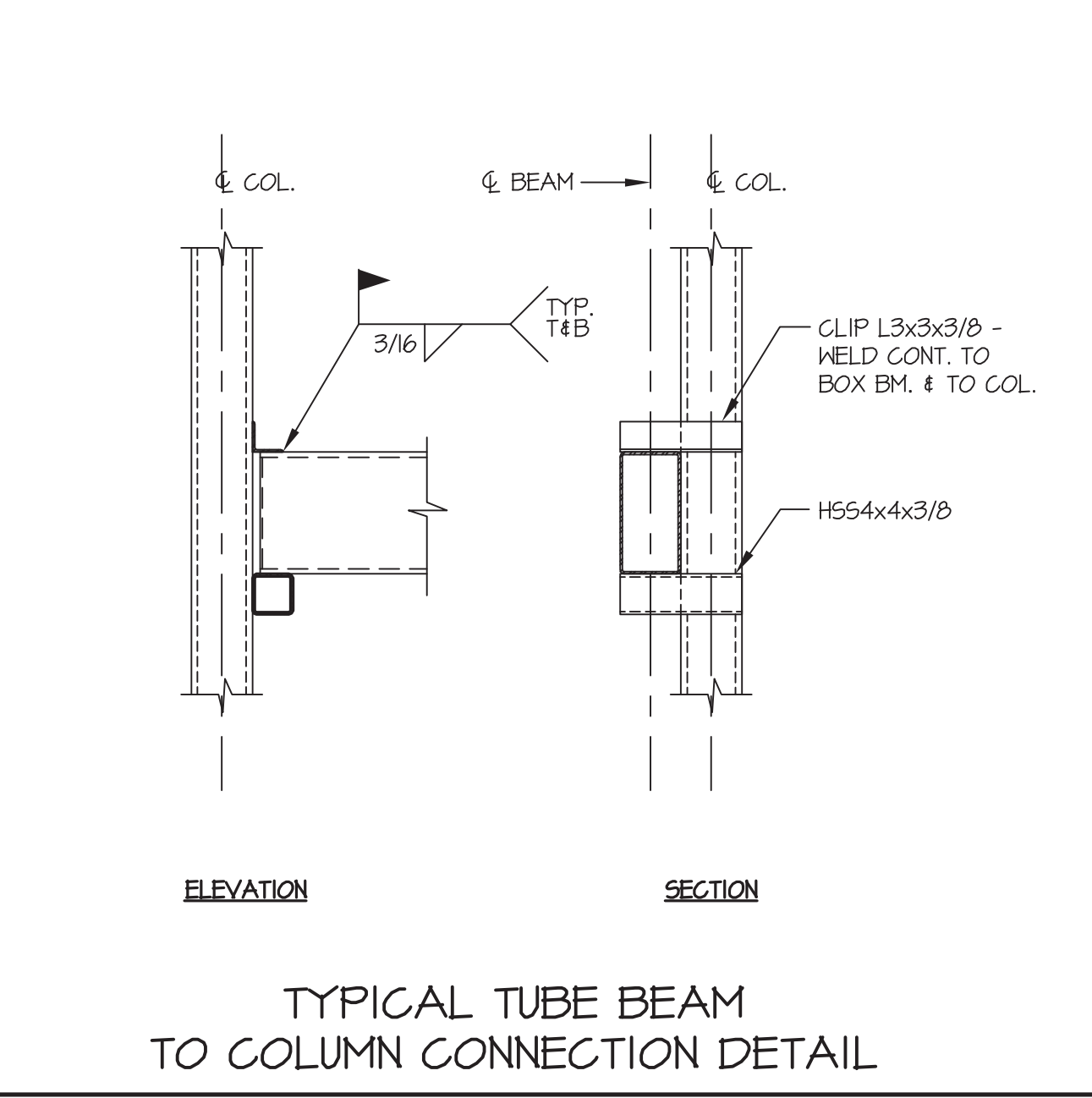
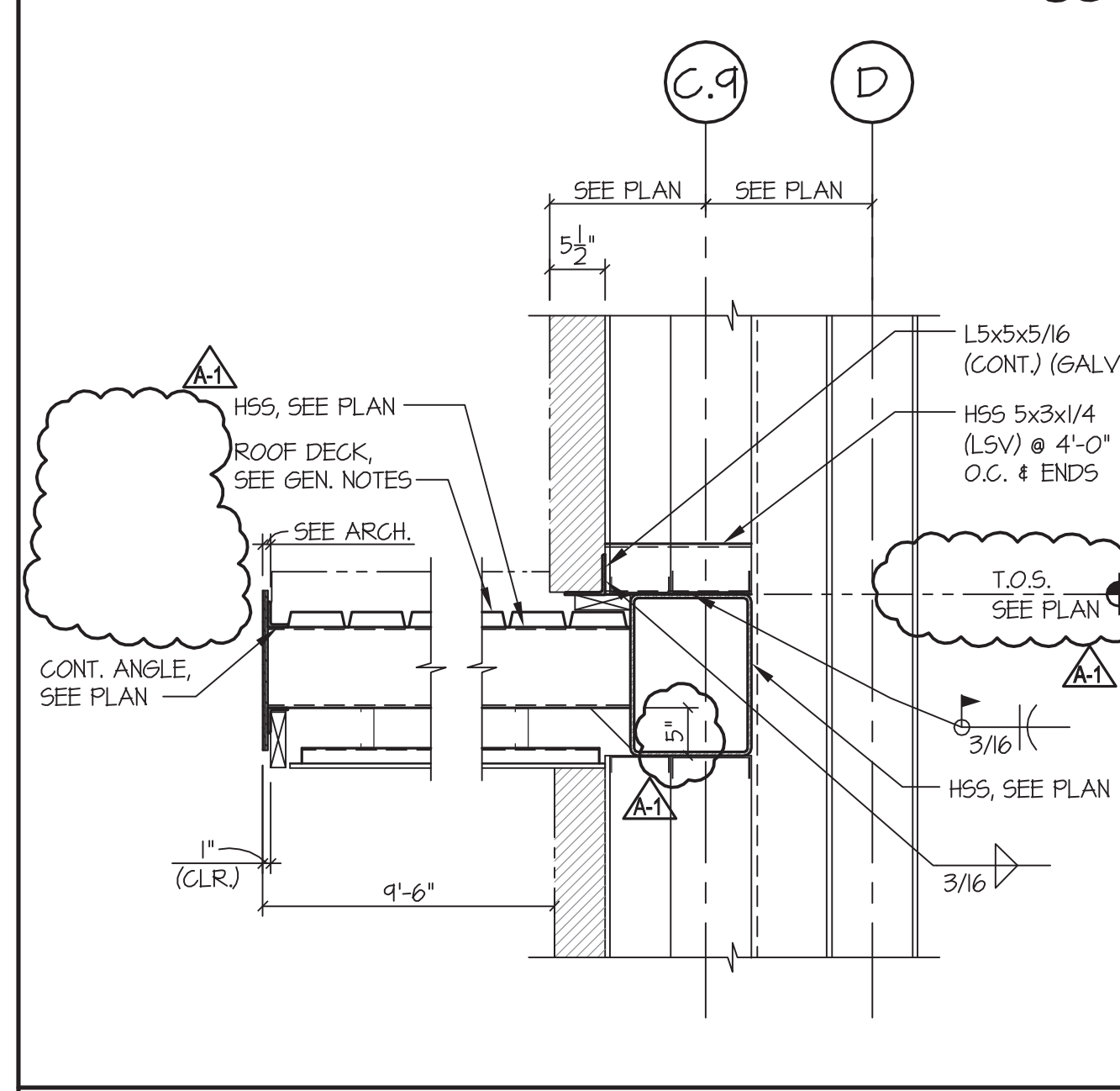
SCALE: 1/2" = 1'-0" 20

SCALE: NONE 16

SCALE: 3/4" = 1'-0" 12

SCALE: 3/4" = 1'-0" 4

SCALE: 3/4" = 1'-0" 4



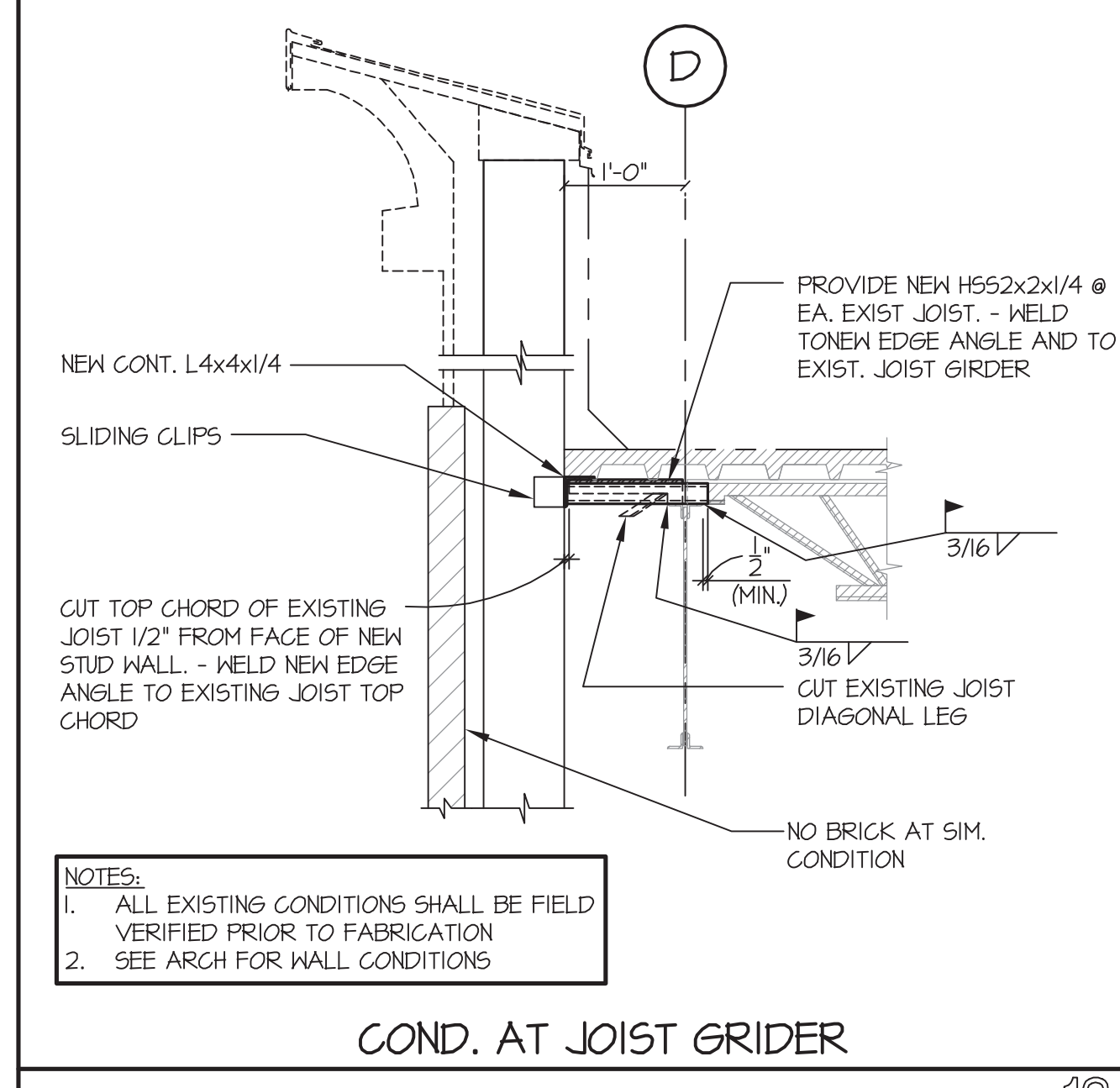
SCALE: 3/4" = 1'-0" 19

SCALE: 3/4" = 1'-0" 15

SCALE: 3/4" = 1'-0" 11

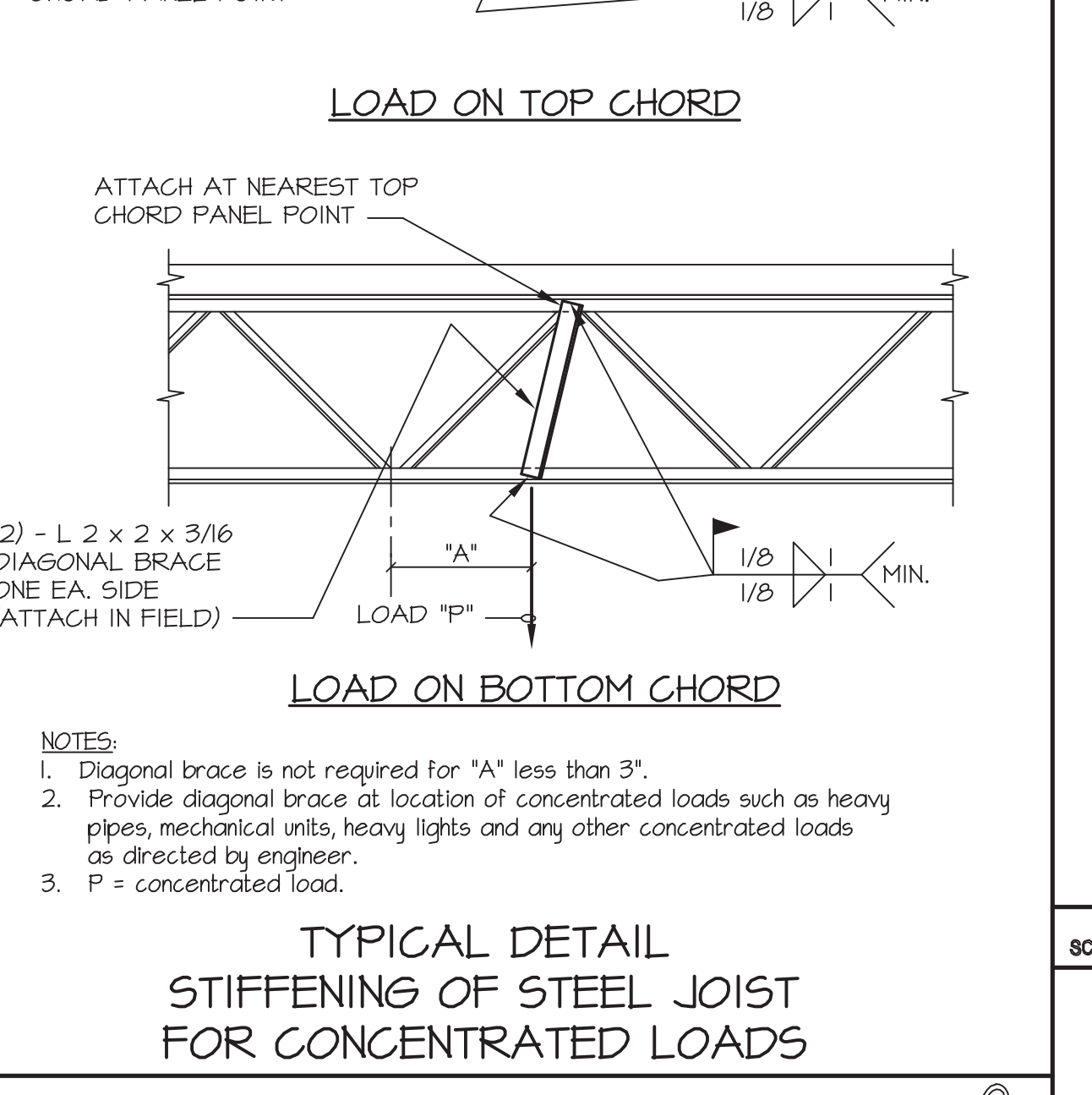
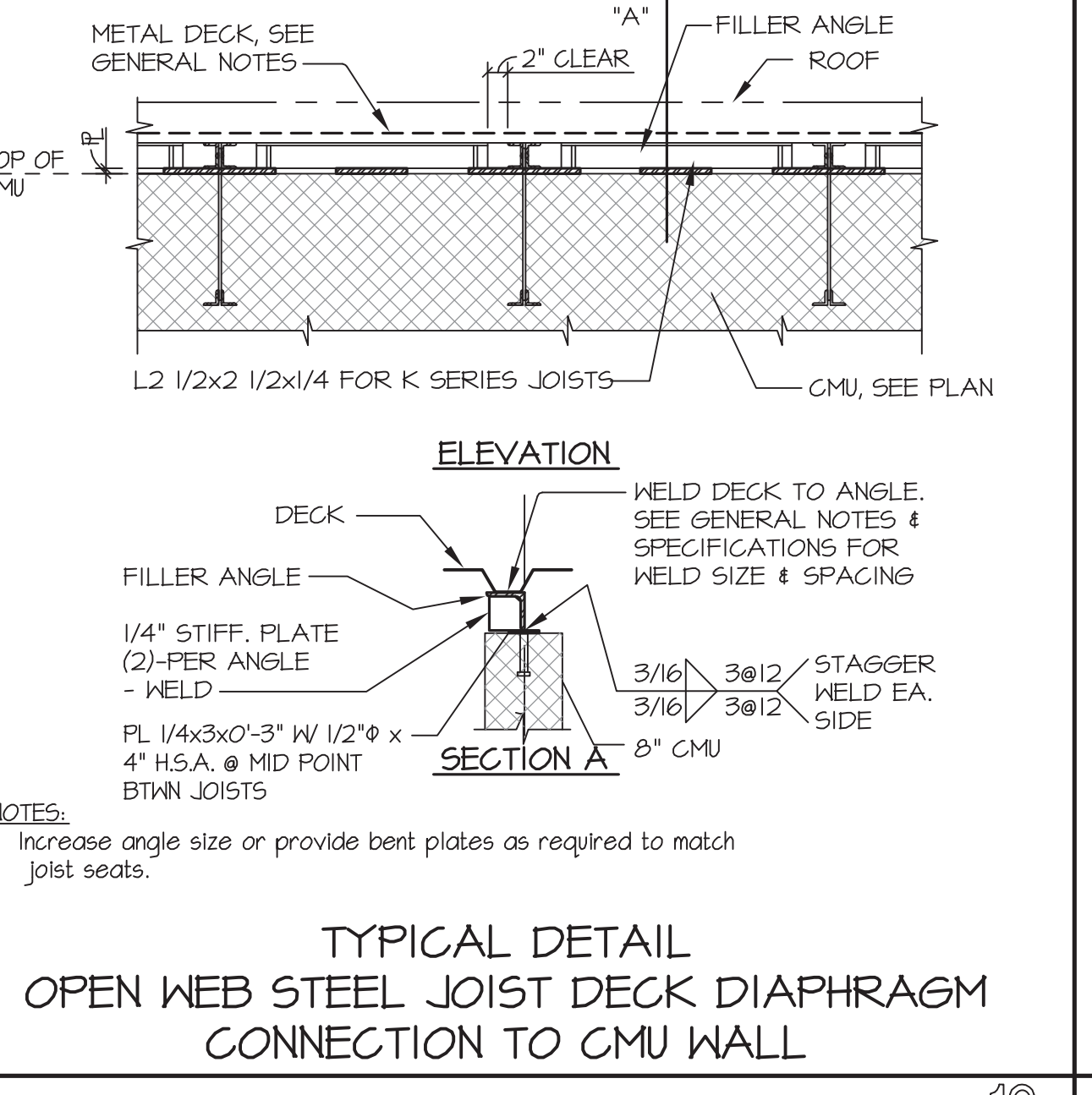
SCALE: NONE 7

SCALE: NONE 3



AT NO MASONRY			AT MASONRY		
PARAPET HEIGHT	STUD	C TO C SPACING	PARAPET HEIGHT	STUD	C TO C SPACING
UP TO 8'-6"	800162-54	16"	UP TO 7'-0"	800162-54	16"
8'-6" TO 9'-6"	800162-54	12"	7'-0" TO 8'-0"	800162-54	12"
9'-6" TO 10'-6"	(2)-800162-54	16"	8'-0" TO 8'-4"	(2)-800162-54	16"
10'-6" TO 11'-6"	(2)-800162-54	12"	8'-4" TO 9'-6"	(2)-800162-54	12"
11'-6" TO 13'-0"	(2)-8005162-4T	12"	9'-6" TO 11'-6"	(2)-8005162-4T	12"

NOTES:
 1. PARAPET HEIGHT MEASURED FROM STUD CLIP TO TOP OF STUDS.
 2. (2)-800162-54 INDICATES DOUBLED (BACK-TO-BACK) STUDS AT SPACING INDICATED.
 3. THESE ARE MINIMUM STUD REQUIREMENTS FOR PARAPET CONDITION. IF LARGER STUDS OR CLOSER SPACING IS REQUIRED FOR ANY REASON, THE MORE STRINGENT REQUIREMENT SHALL CONTROL.



Wall Thickness	Unbraced Height	Vertical Reinforcing
12"	21'-0" max	#6 @ 32"

NOTES:
 1. See general notes for additional information.
 2. All reinforcing steel shall be continuous between foundation and top of cmu, splice reinforcing per general notes. All reinforced cells shall be grouted solid.
 3. At foundation, provide dowels to match size and spacing of vertical bars.
 4. Consult with A/E when height of wall exceeds the height shown here.
 5. Provide continuous bond beams at the top of walls. Reinforcing bond beams with 2-#5, unless specified otherwise.
 6. See 10, 14, 5, & 16/54.01

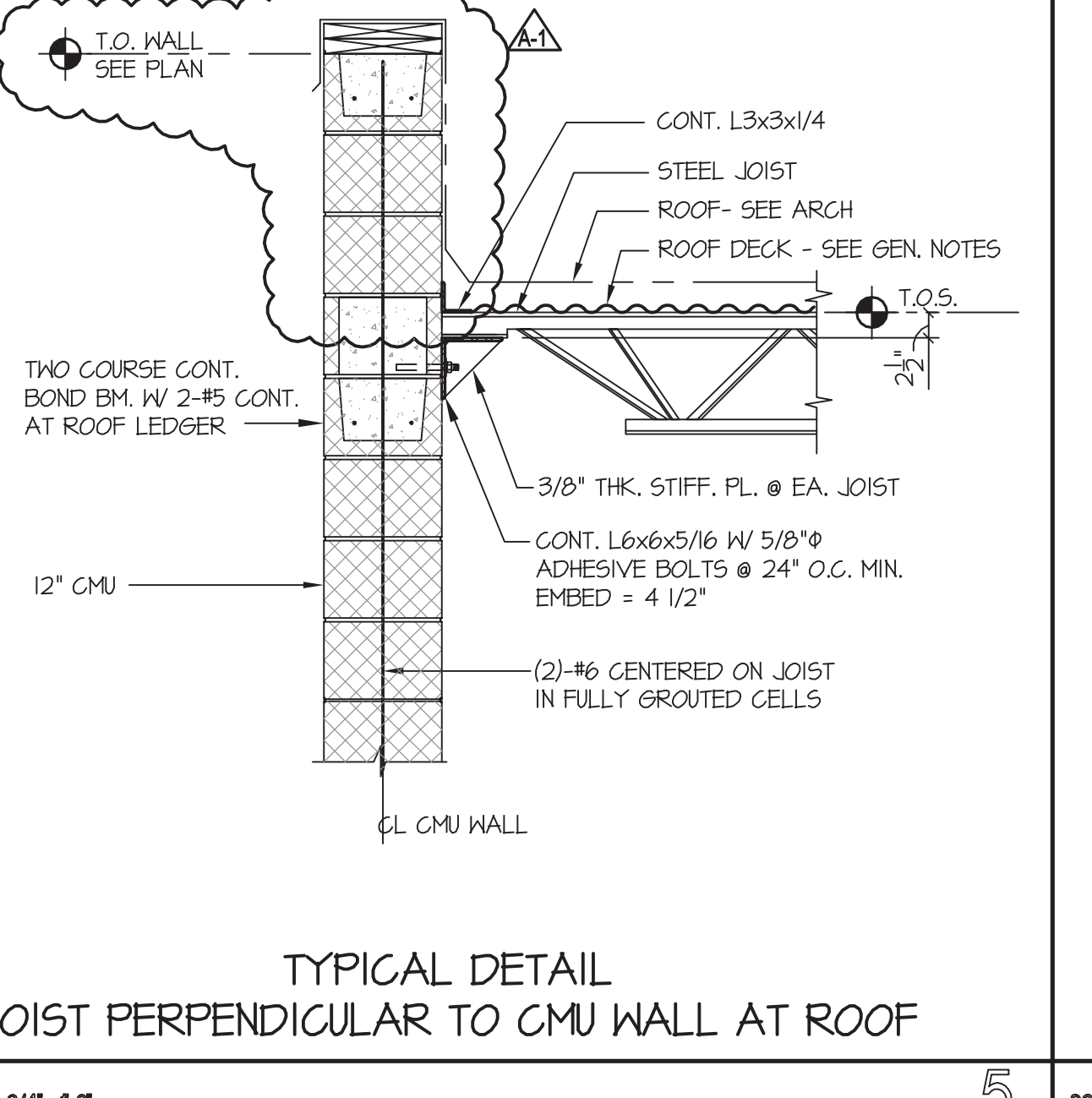
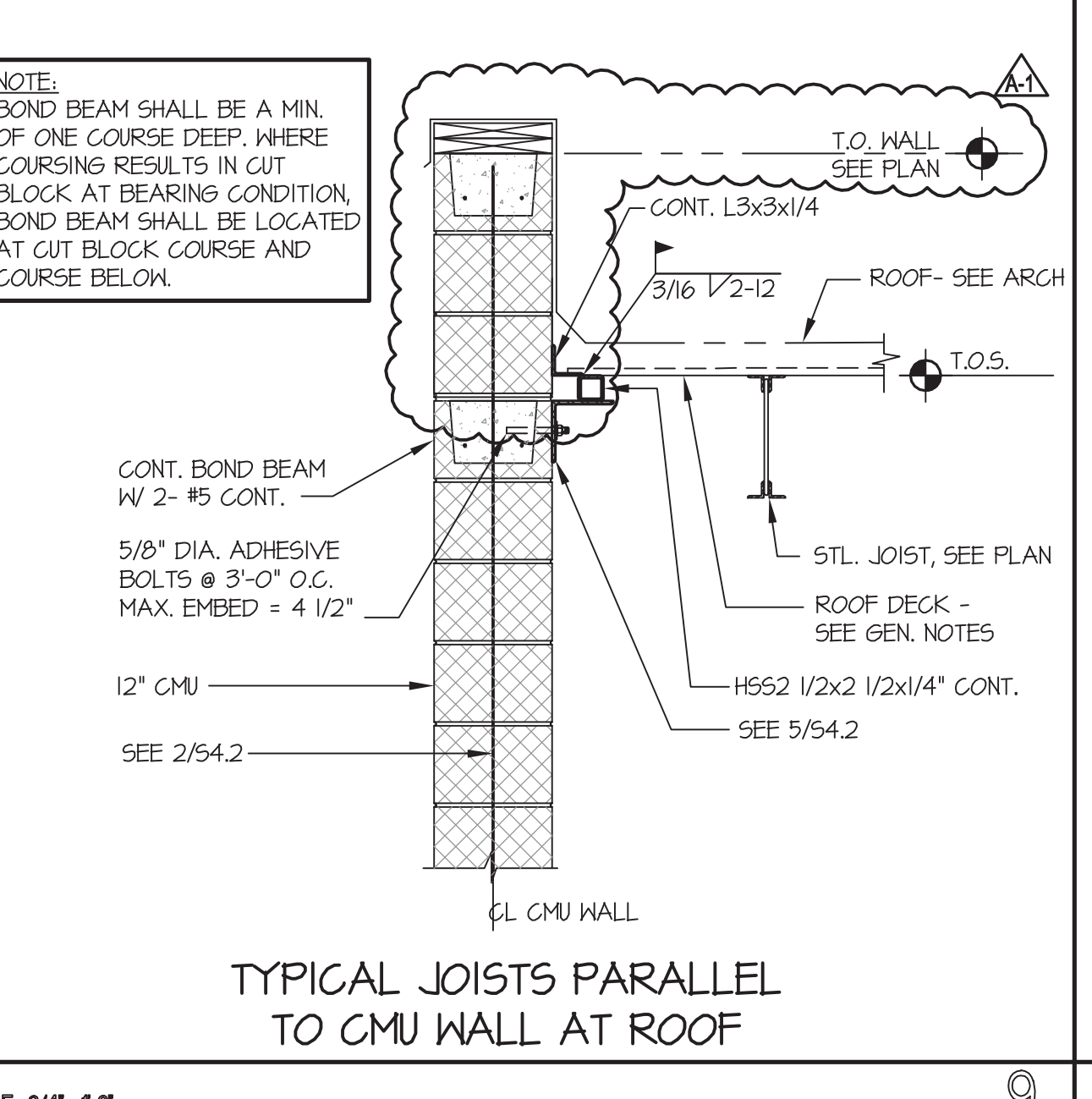
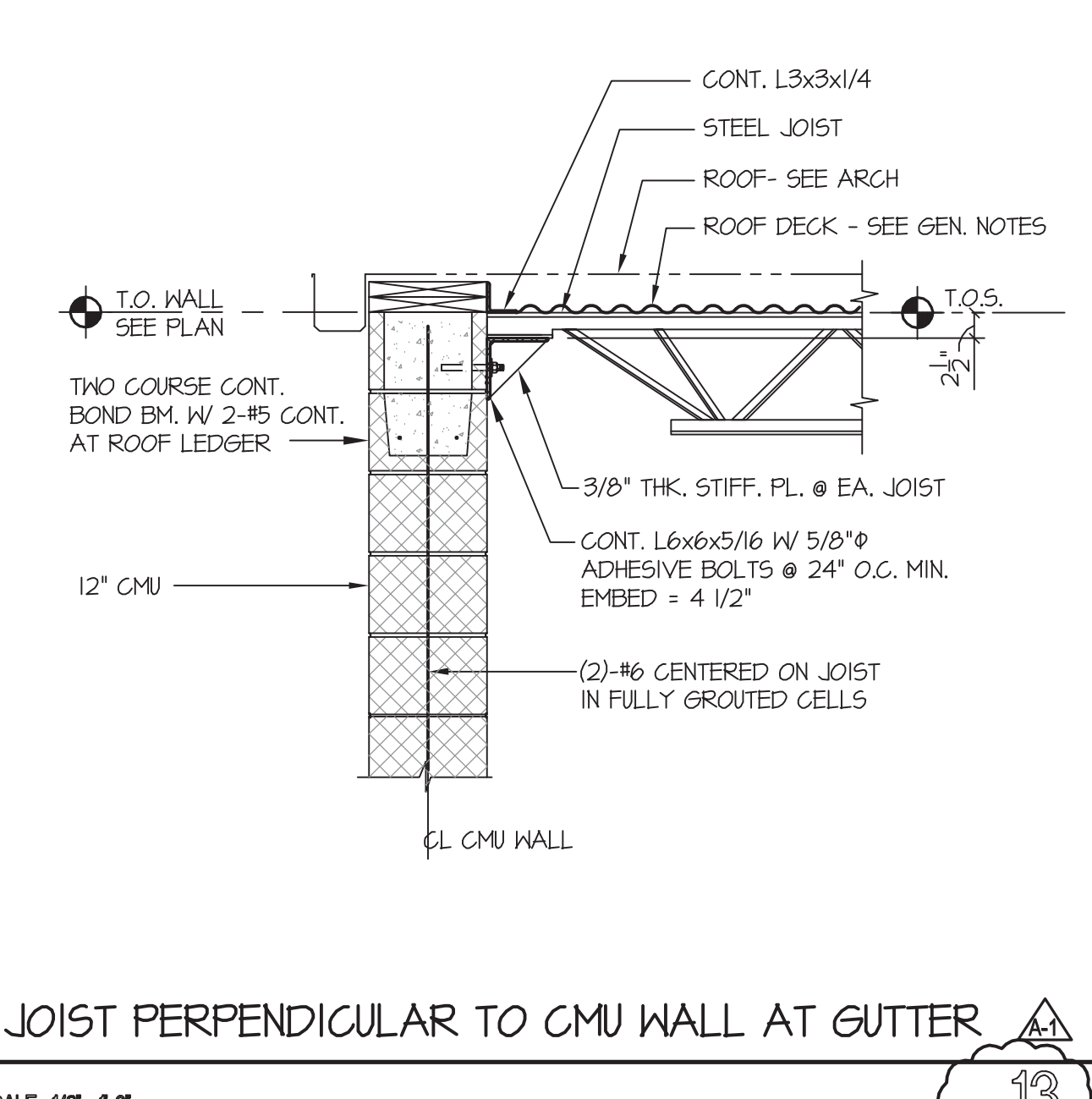
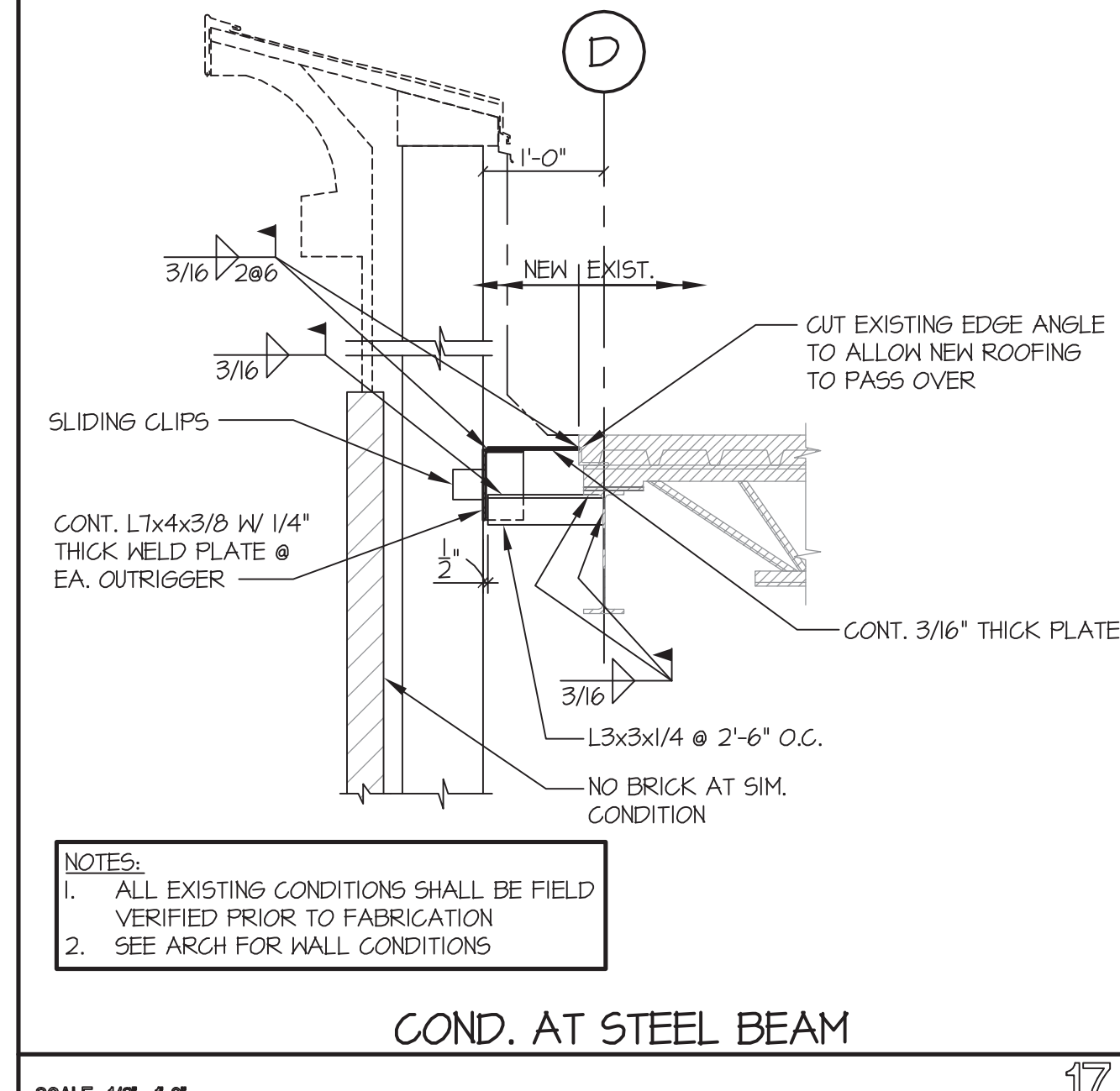
SCALE: 3/4" = 1'-0" 18

SCALE: NONE 14

SCALE: 3/4" = 1'-0" 10

SCALE: NONE 6

SCALE: NONE 2



CLEAR SPAN	REINFORCING REQUIREMENTS IN NOMINAL LINTEL SECTION		
	8x8	8x16	8x24
3-4	2-#5		
4-0	2-#5		
4-6	2-#5		
5-4	2-#5		
6-0	2-#5		
6-6	2-#5		
7-4	N/A	2-#5	
8-0		2-#5	
8-6		2-#5	
9-4	N/A	2-#5	
10-4	N/A	N/A	2-#6

NOTES:
 1. See architectural drawings for size & location of openings.
 2. Provide 1" of bearing at each jamb for each foot of clear span but not less than 1.5/8". Reinforcement shall project a minimum of 6" onto the bearing.
 3. Minimum masonry compressive strength of grouted prism f'm = 2000 psi.
 4. Lintels scheduled at 16" high may be either type 'B' or type 'C' as detailed below.
 5. Precast concrete lintels as shown may be used with architect's approval. f'c = 3000 psi.

SCALE: 3/4" = 1'-0" 17

SCALE: 3/4" = 1'-0" 13

SCALE: 3/4" = 1'-0" 9

SCALE: 3/4" = 1'-0" 5

SCALE: NONE 1

07/01/13
 10/16/13 ADD. #1
 ISSUED FOR CONSTRUCTION
 OCTOBER 8, 2014

WINDLE + VOLPE
 ARCHITECTS
 7600 9TH FLD
 HOUSTON, TEXAS 77063
 PH 713-955-1390

MATRIX
 STRUCTURAL
 ENGINEERS
 24 GREENWAY PLAZA
 SUITE 1500
 HOUSTON, TEXAS 77046-2401
 PHONE: (713) 684-0130
 FAX: (713) 684-1370
 Matrix Structural Engineers
 TBP Firm Registration No. F-2640

MARSHALLS SHELL
 CROSSROADS MALL
 GREENVILLE, TEXAS
 GREENVILLE PROPERTIES LTD.
 GREENVILLE, TEXAS

10/16/2013
 DATE
 08-12-03
 PRODUCT NO.
 BN
 DRAWN BY

FRAMING
 DETAILS
 S4.1
 MSE-13024
 23 OF 24
 COPYRIGHT © 2013 WINDLE + VOLPE Architects