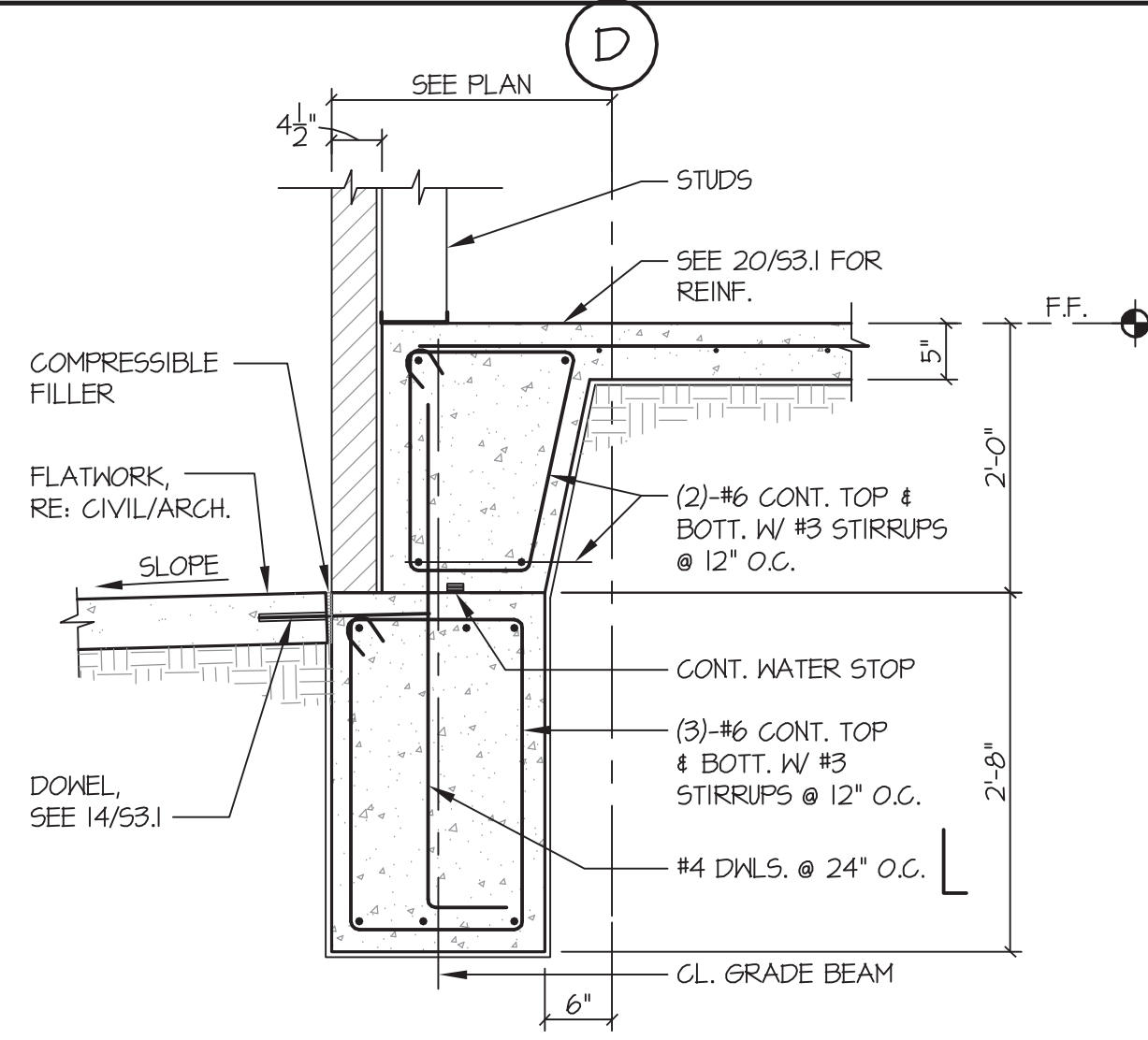


SUMP PIT

SCALE: 3/4" = 1'-0"

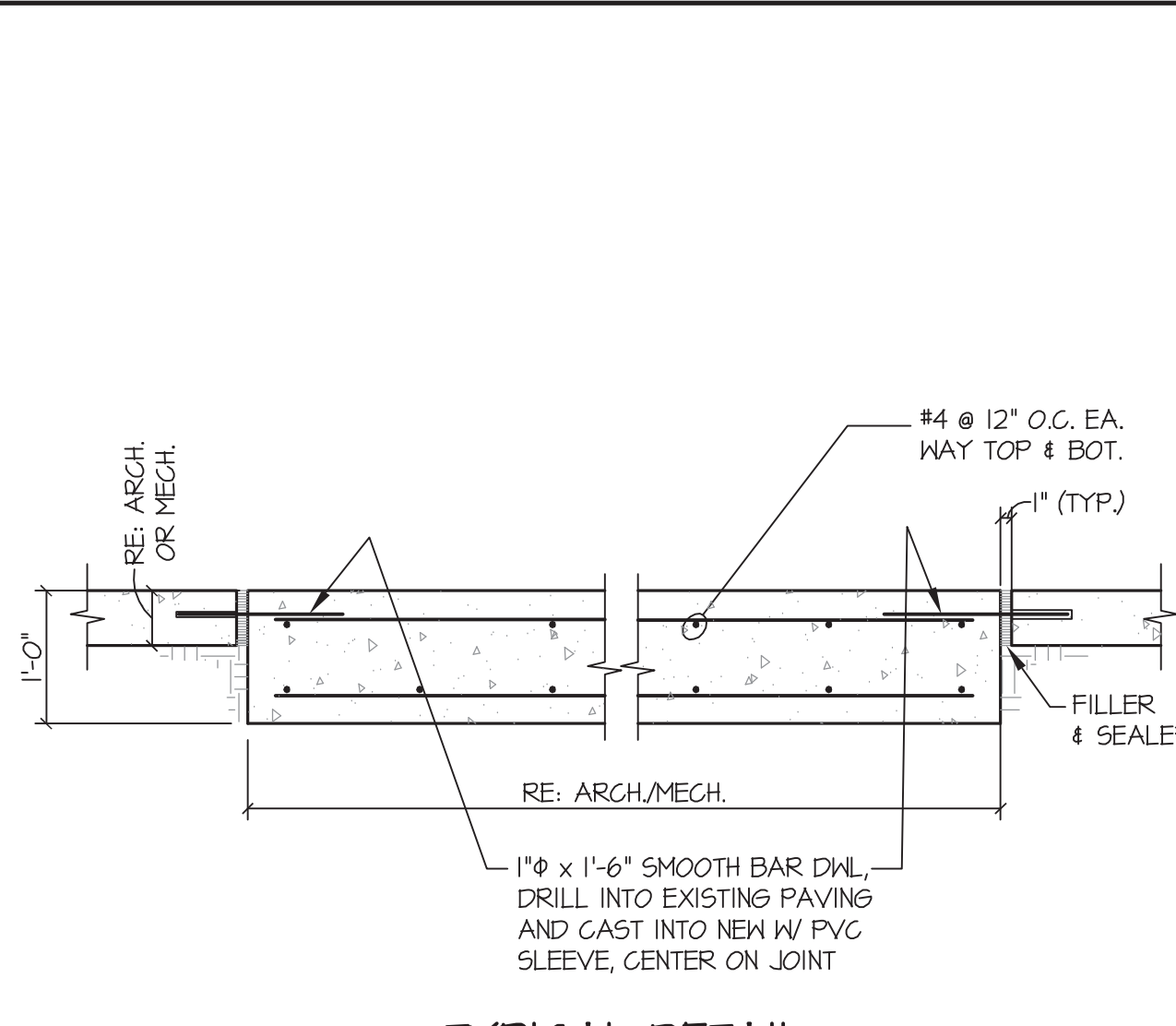
17



EXTERIOR GRADE BEAM AT ENTRY

SCALE: 3/4" = 1'-0"

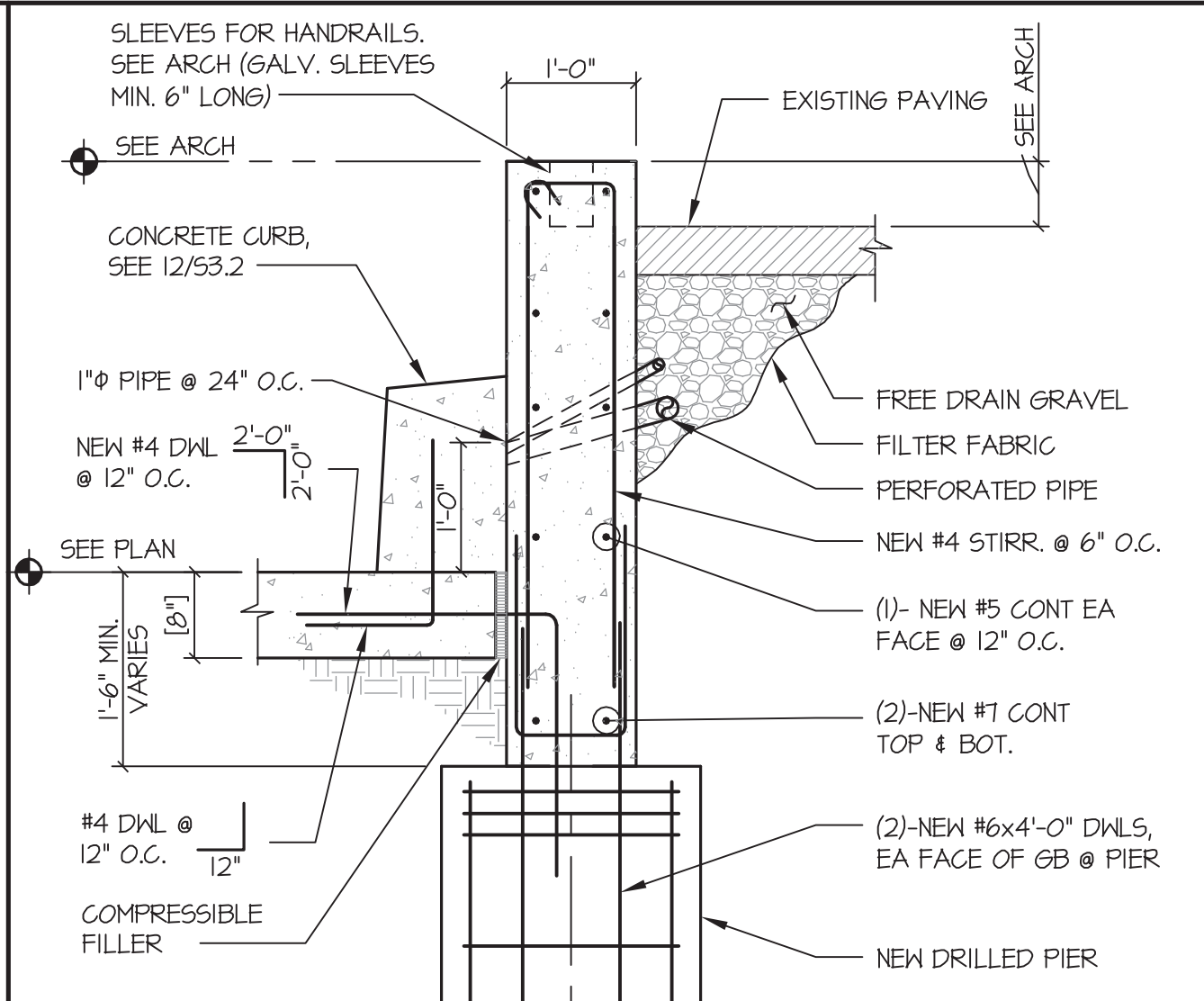
13



TYPICAL DETAIL COMPACTOR PAD

SCALE: 3/4" = 1'-0"

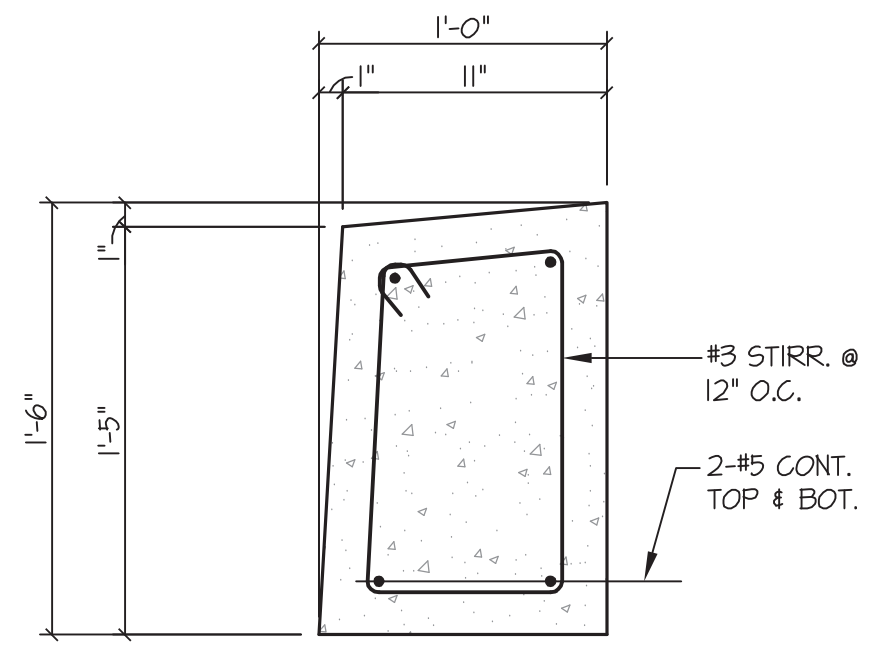
6



TYPICAL DETAIL TRENCH DRAIN

SCALE: 3/4" = 1'-0"

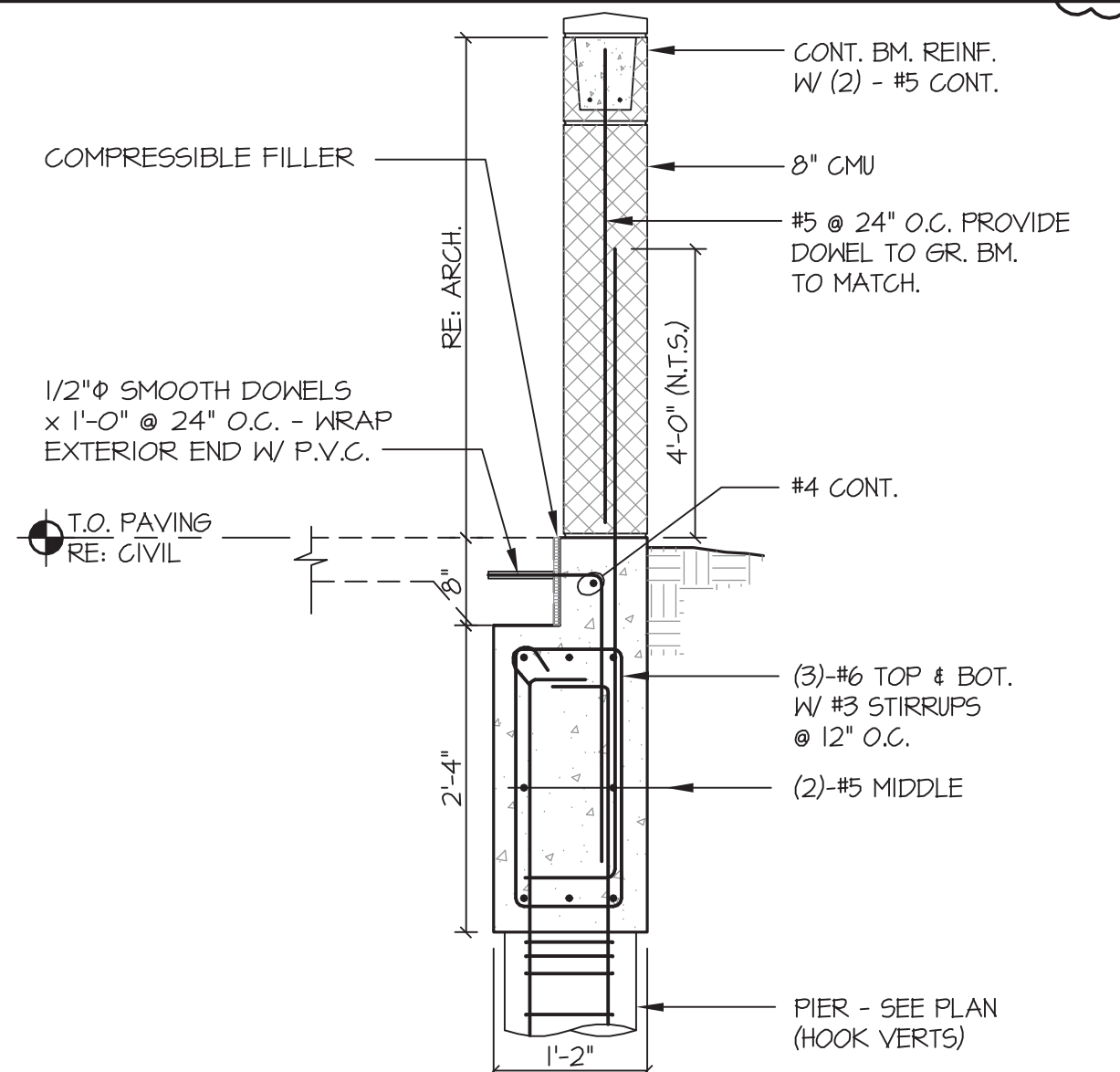
4



CONCRETE CURB AT TRUCK DOCK

SCALE: 1" = 1'-0"

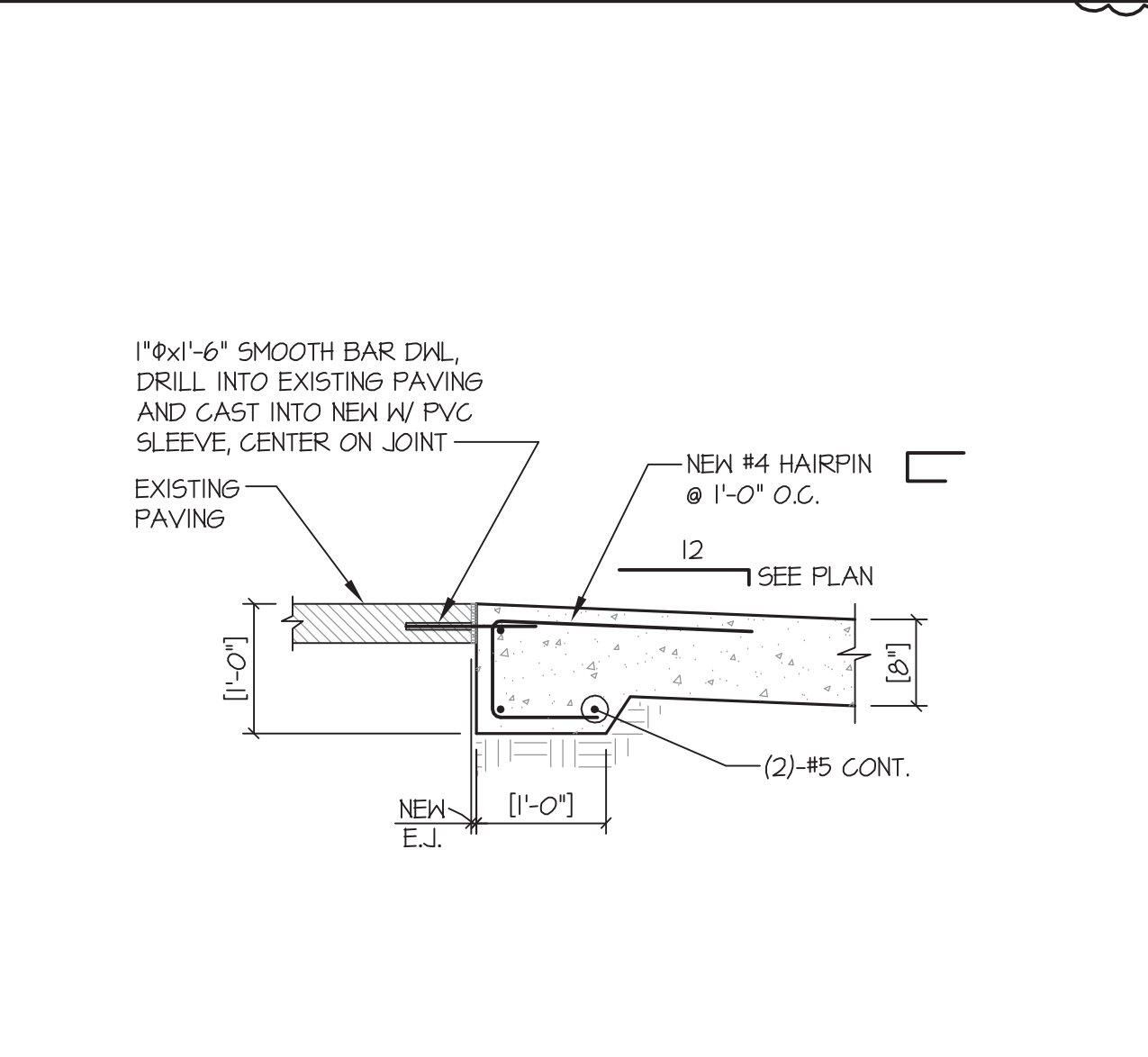
16



TYPICAL DETAIL AT MECHANICAL YARD WALL

SCALE: 3/4" = 1'-0"

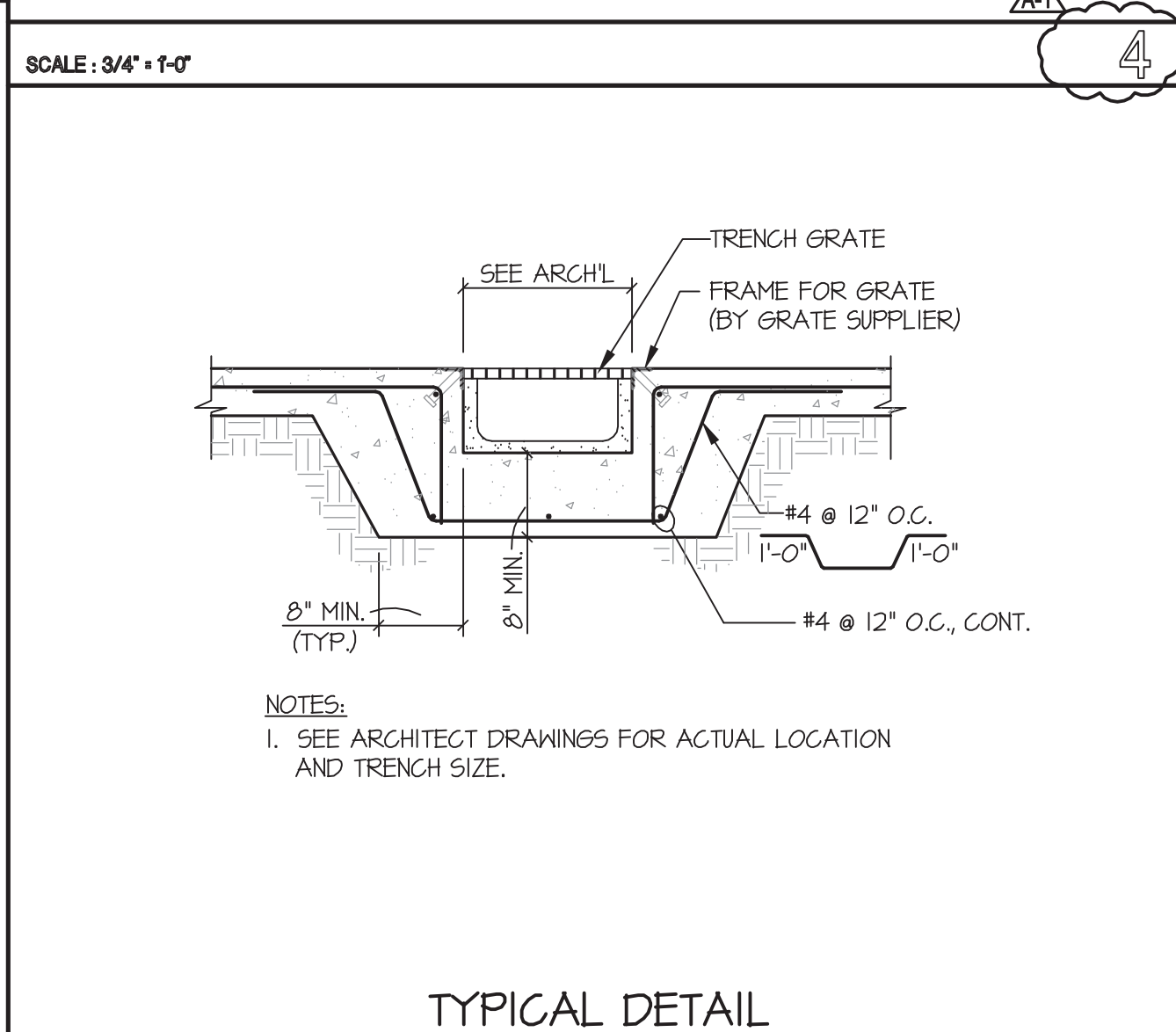
12



TYPICAL DETAIL CONSTRUCTION AND CONTRACTION JOINTS SLAB ON GRADE

SCALE: 3/4" = 1'-0"

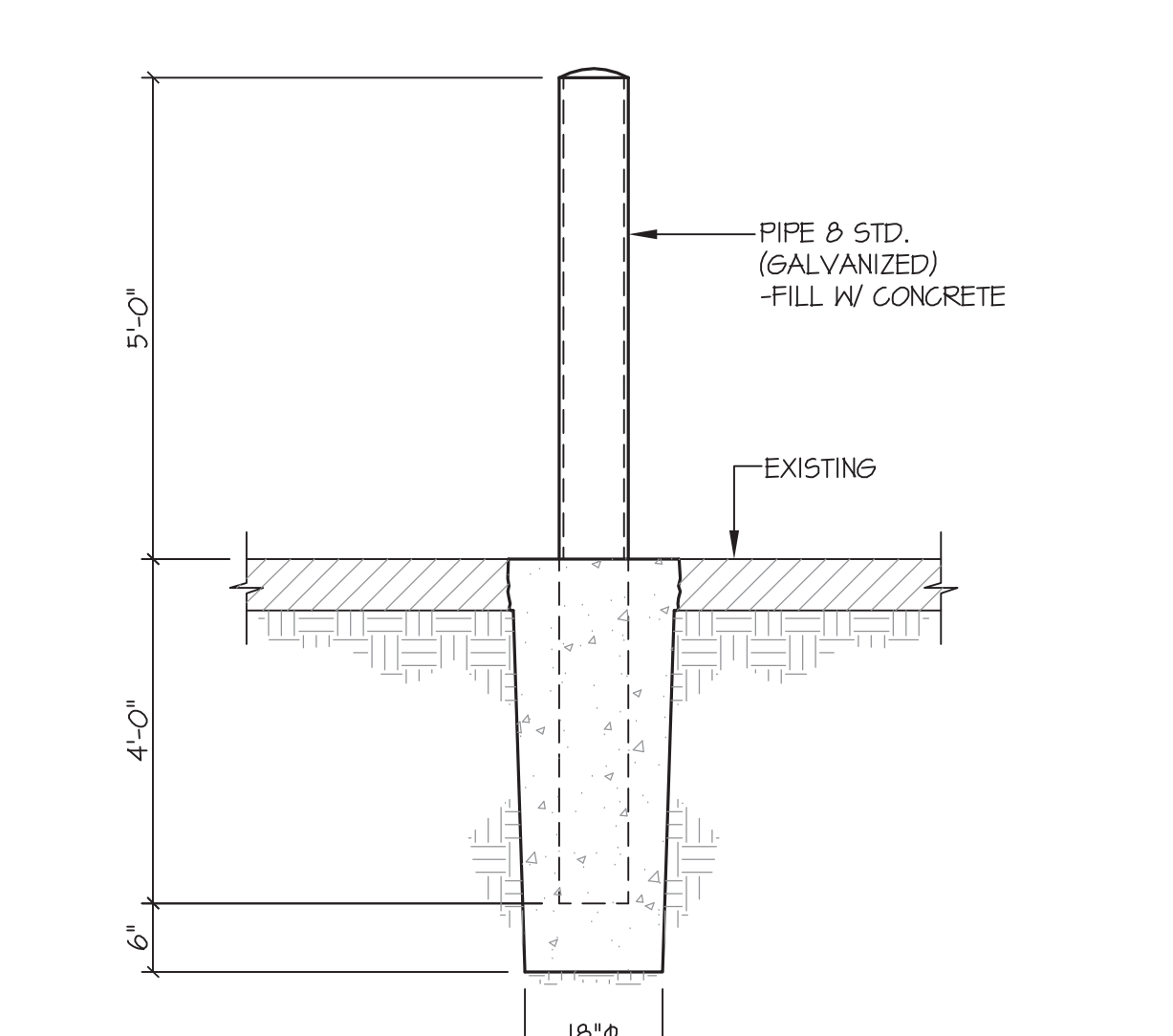
5



CONTRACTION JOINT (PLAN VIEW)

SCALE: 3/4" = 1'-0"

3



TYPICAL DETAIL BOLLARD

SCALE: 3/4" = 1'-0"

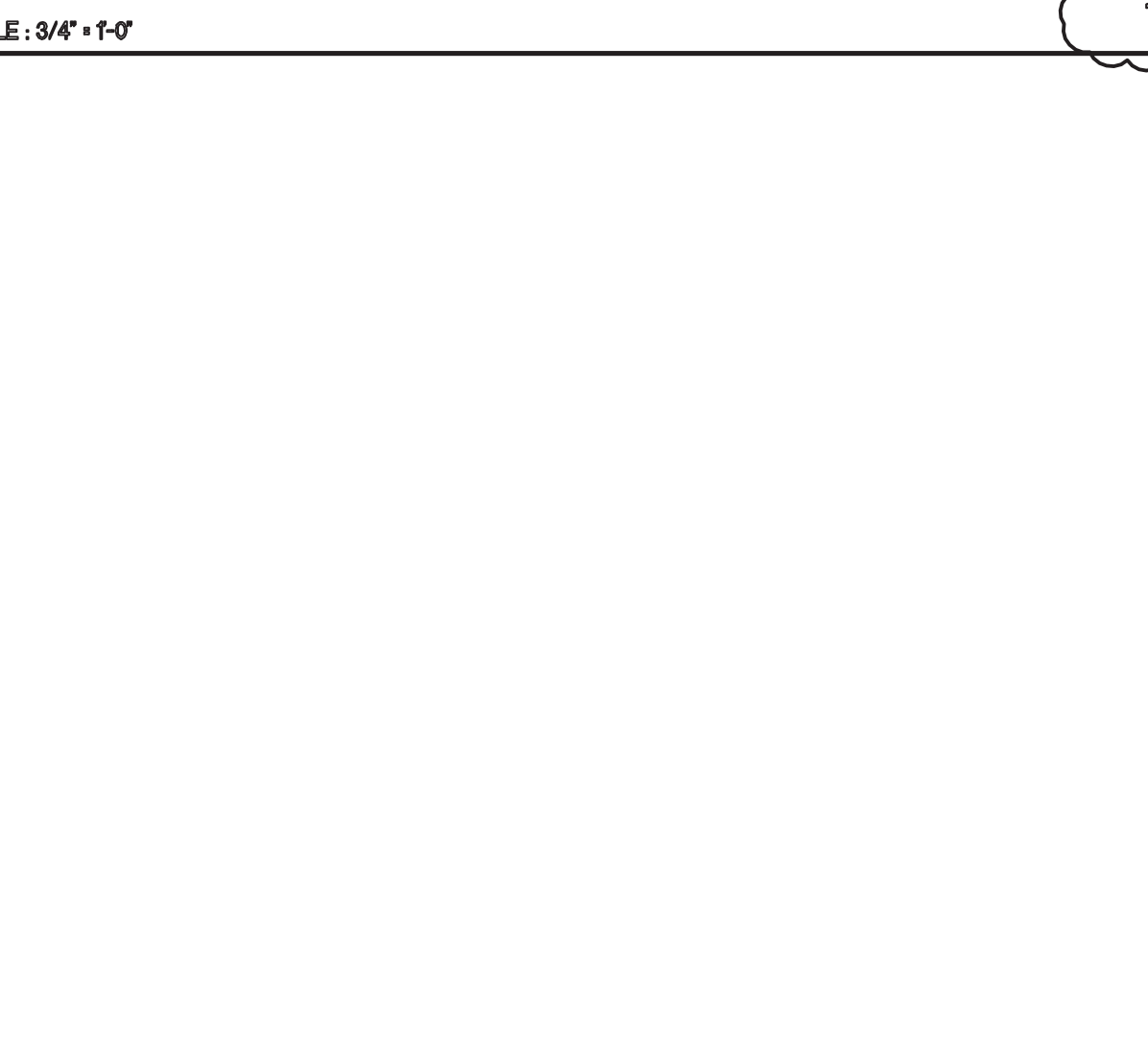
11

SLAB DEPTH (IN)	DOHEL DIAMETER (IN)	TOTAL DOHEL LENGTH (IN)	DOHEL SPACING CENTER TO CENTER (IN)
5-6	3/4	16	12
7-8	1	18	12
9-11	1 1/4	18	12

TYPICAL DETAIL CONSTRUCTION AND CONTRACTION JOINTS SLAB ON GRADE

SCALE: 3/4" = 1'-0"

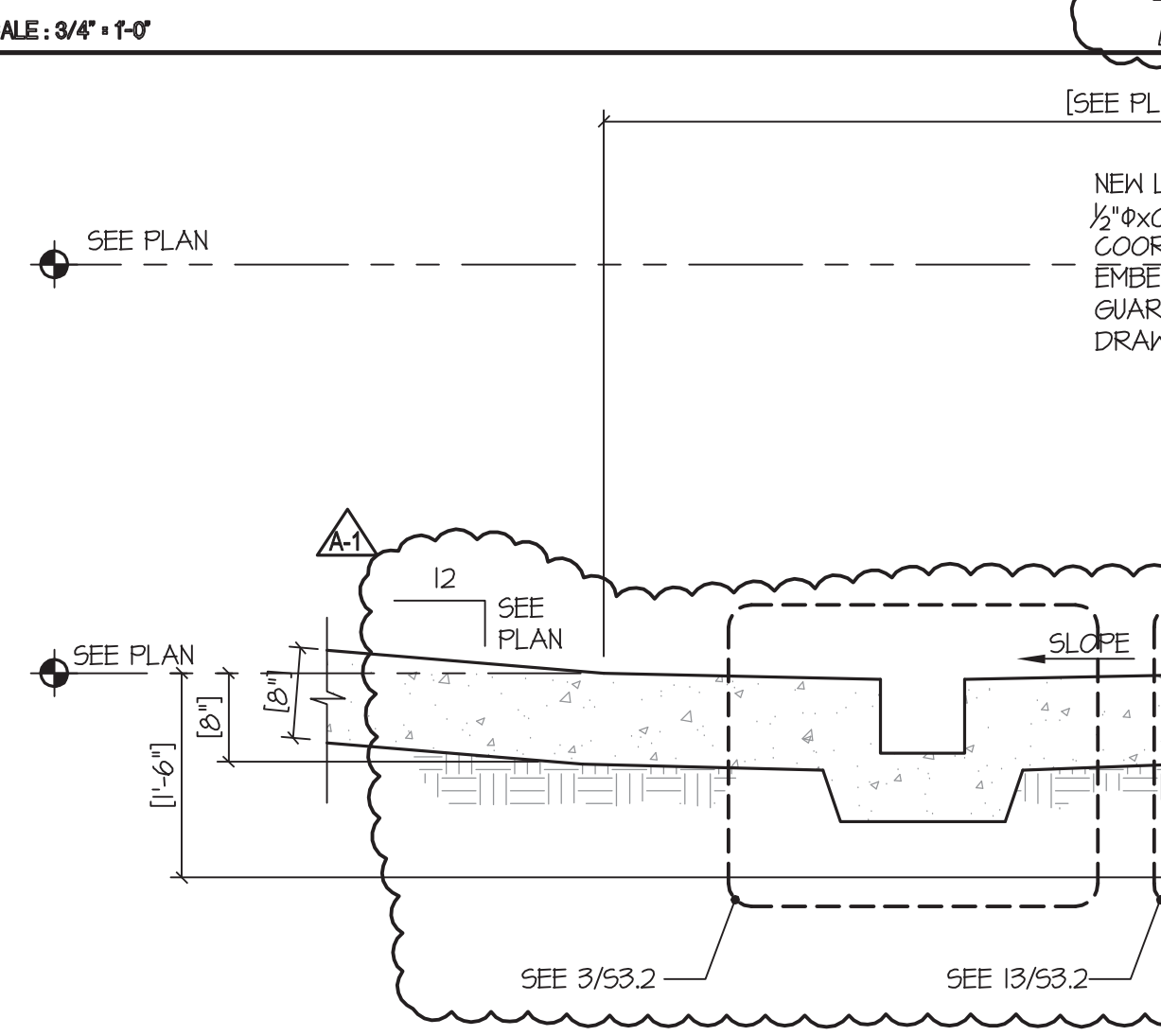
7



CONCRETE CURB AT TRUCK DOCK

SCALE: 1" = 1'-0"

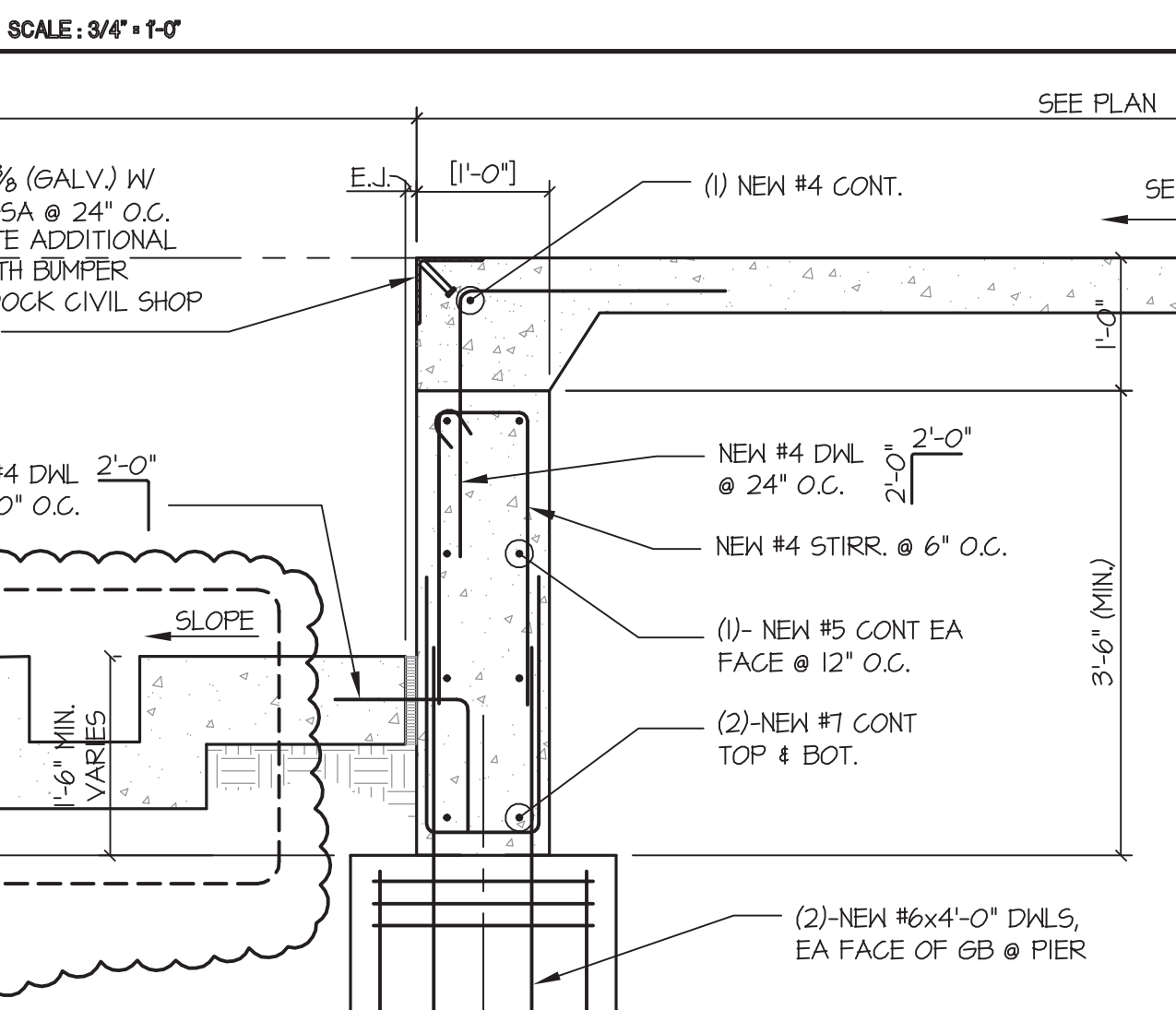
14



EXTERIOR GRADE BEAM AT ENTRY

SCALE: 3/4" = 1'-0"

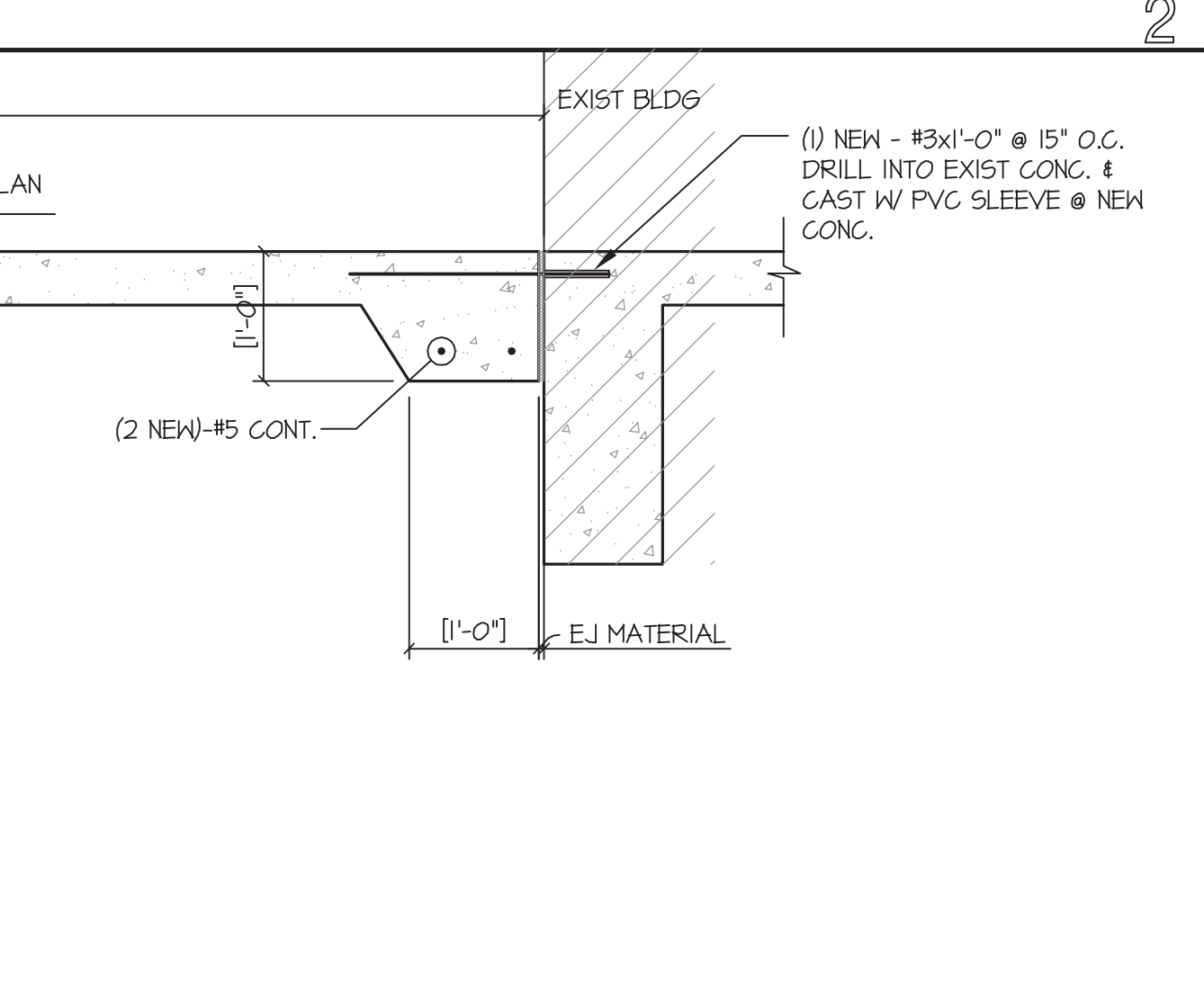
10



TYPICAL DETAIL COMPACTOR PAD

SCALE: 3/4" = 1'-0"

6



TYPICAL DETAIL TRENCH DRAIN

SCALE: 3/4" = 1'-0"

4

07/01/13  
10/16/13 ADD #1  
ISSUED FOR CONSTRUCTION  
OCTOBER 8, 2014

WINDLE + VOLPE  
ARCHITECTS  
7600 9TH FLD  
HOUSTON, TEXAS 77063  
PH 713-955-1390

MATRIX  
STRUCTURAL  
ENGINEERS  
24 GREENWAY PLAZA  
SUITE 1508  
HOUSTON, TEXAS 77046-2401  
PHONE: (713) 684-0130  
FAX: (713) 684-1310  
Matrix Structural Engineers  
TBP Firm Registration No. F-2640

MARSHALLS SHELL  
CROSSROADS MALL  
GREENVILLE, TEXAS  
GREENVILLE PROPERTIES LTD.  
GREENVILLE, TEXAS

10/16/2013  
DATE  
08-12-03  
PROJECT NO.  
BN  
DRAWN BY

FOUNDATION  
DETAILS

S3.2

MSE-13024  
22 OF 24  
COPYRIGHT © 2013 WINDLE + VOLPE Architects