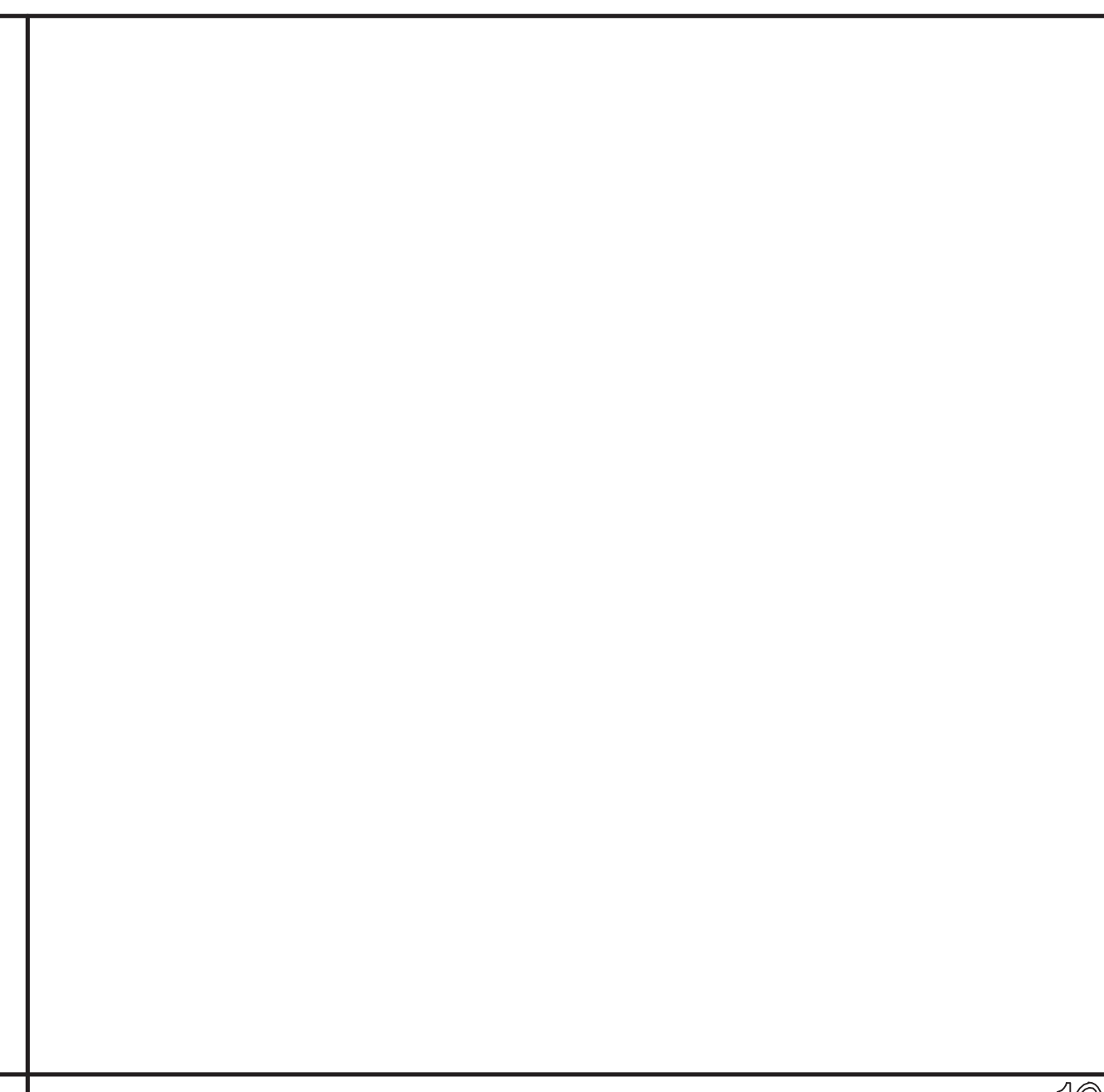


SCALE: 3/4" = 1'-0" 20



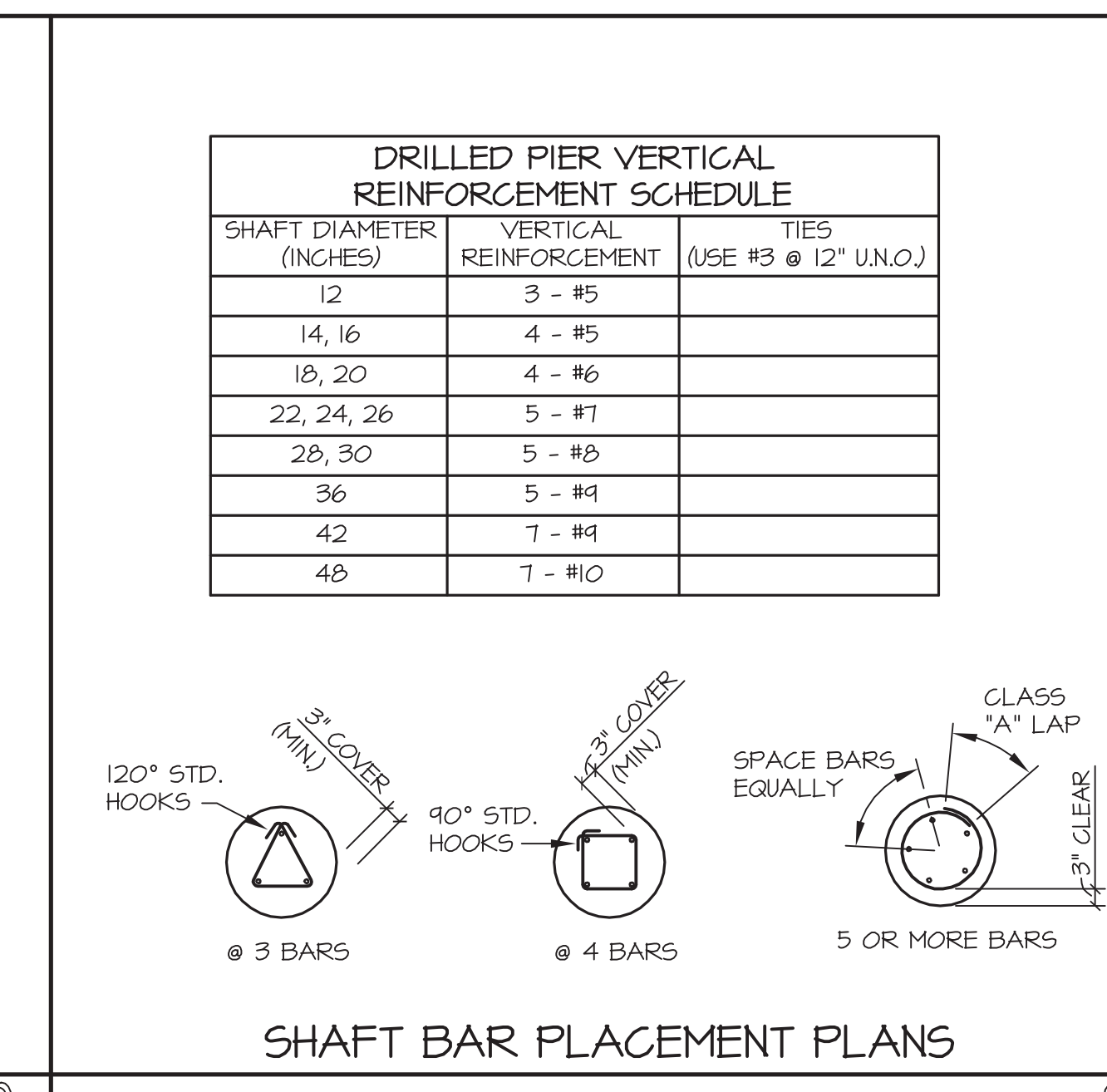
SCALE: 3/4" = 1'-0" 12

DRILLED PIER VERTICAL REINFORCEMENT SCHEDULE

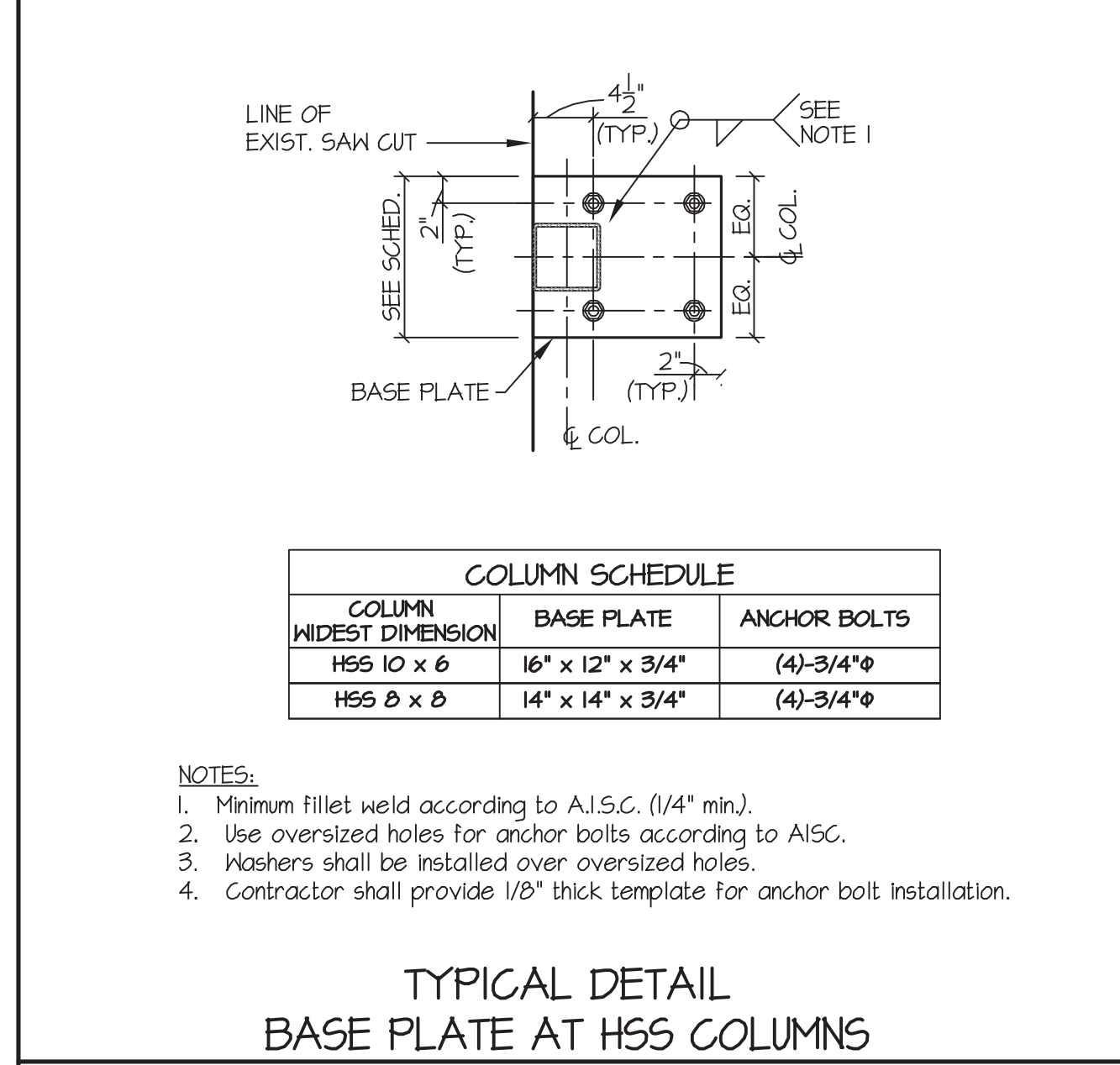
SHAFT DIAMETER (INCHES)	VERTICAL REINFORCEMENT	TIES (USE #3 @ 12" UNO.)
12	3 - #5	
14, 16	4 - #5	
18, 20	4 - #6	
22, 24, 26	5 - #7	
28, 30	5 - #8	
36	5 - #4	
42	7 - #4	
48	7 - #10	

SHAFT BAR PLACEMENT PLANS

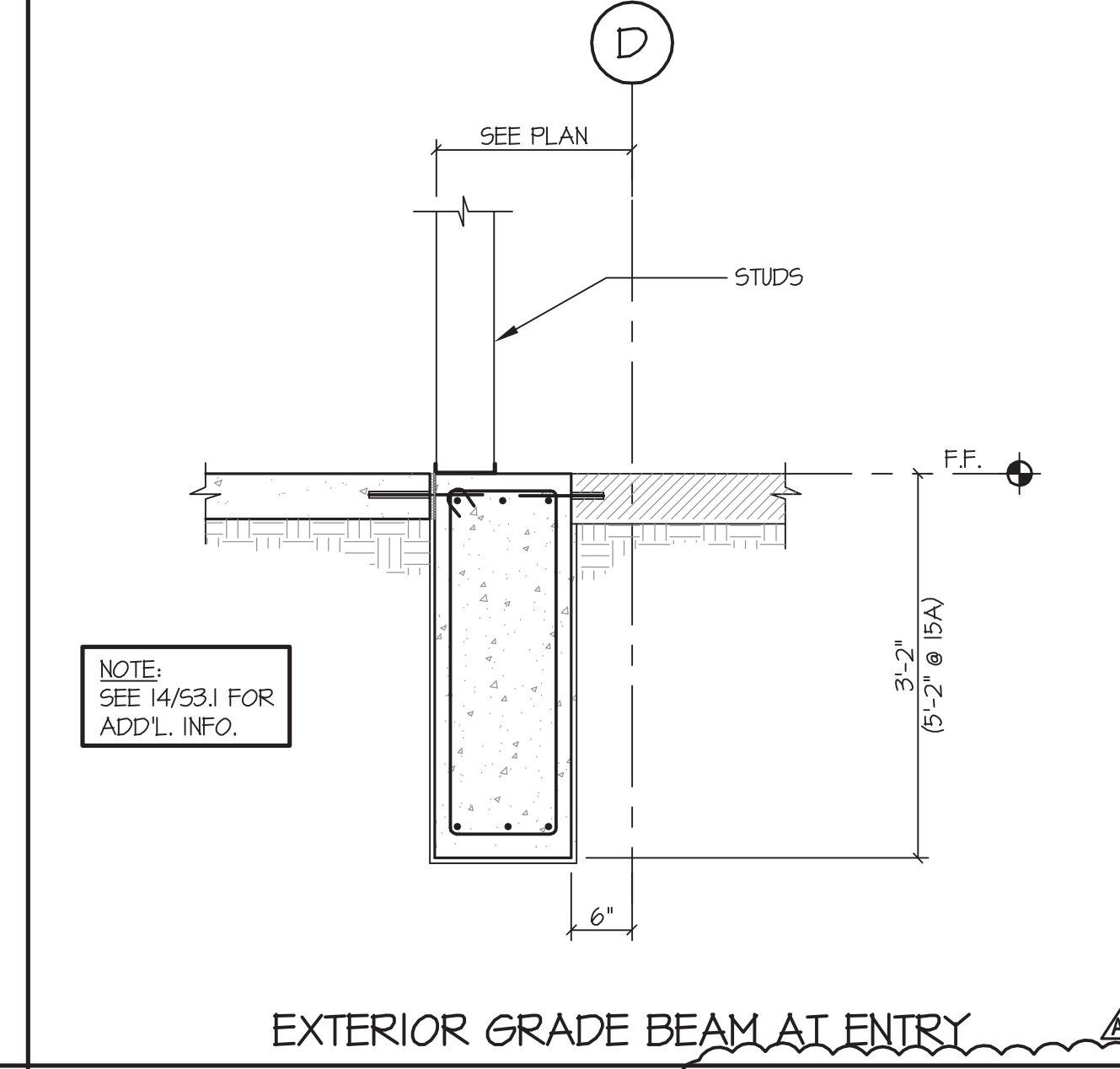
SCALE: 3/4" = 1'-0" 8



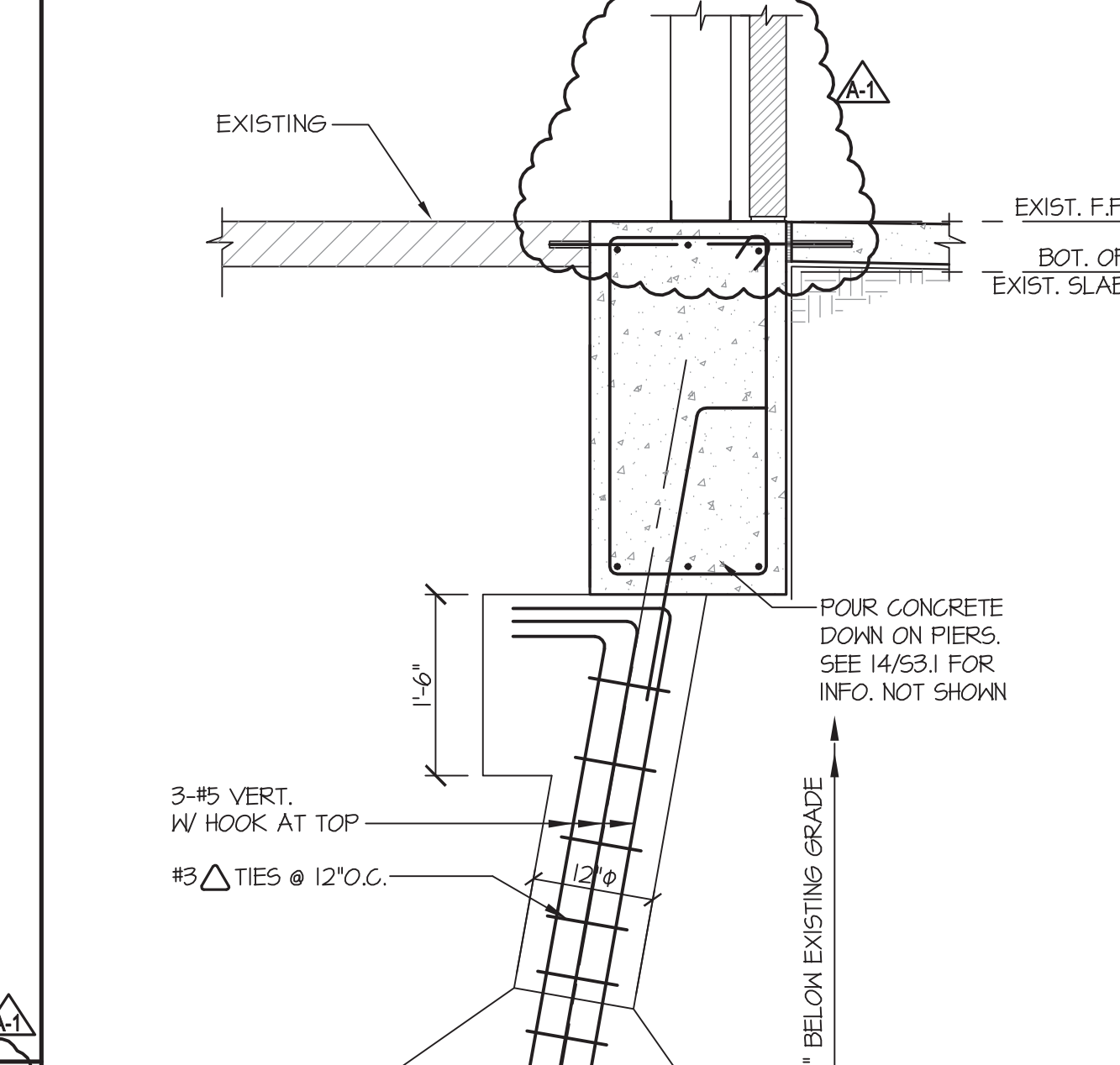
SCALE: 3/4" = 1'-0" 4



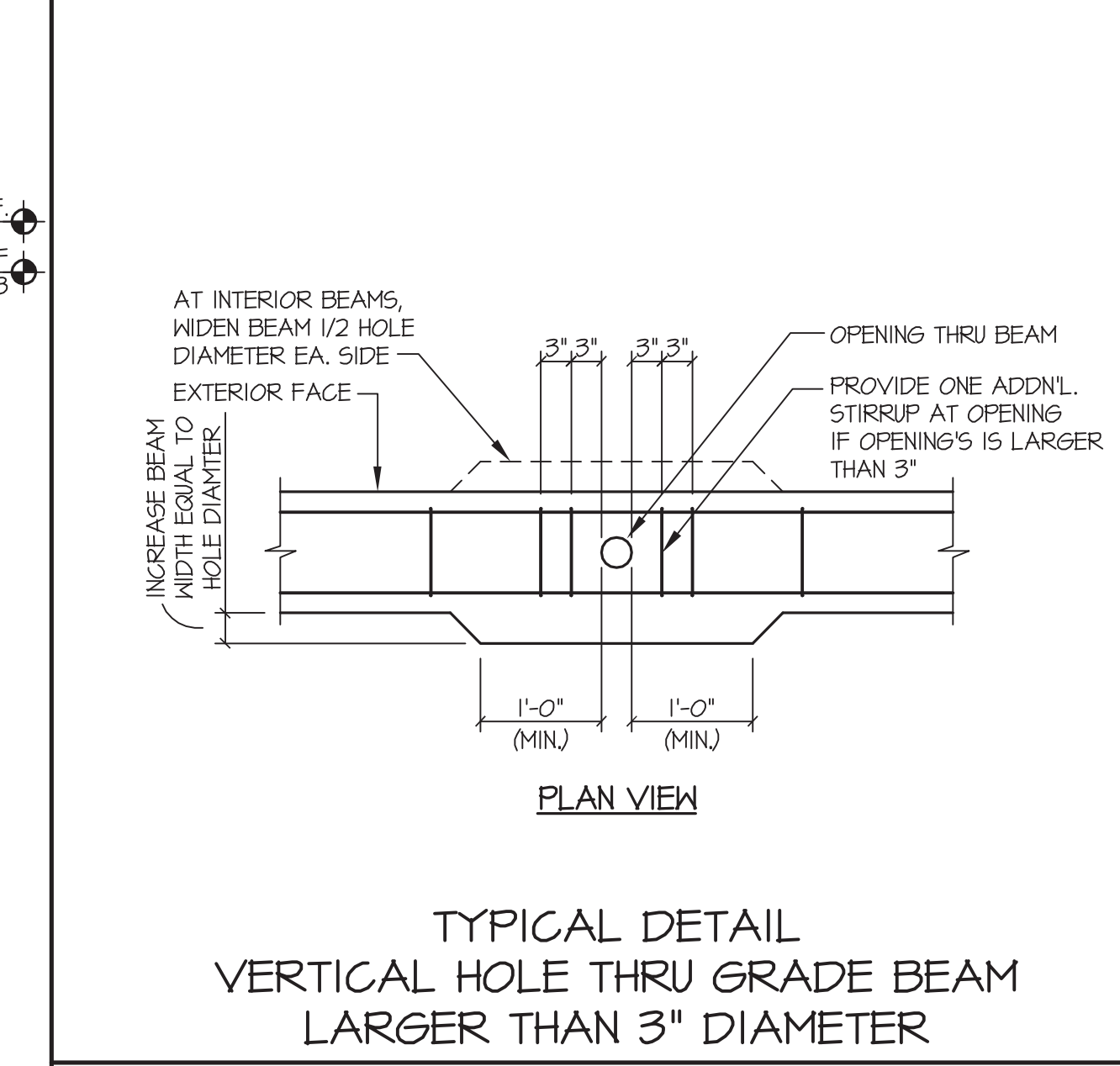
SCALE: 1" = 1'-0" 19



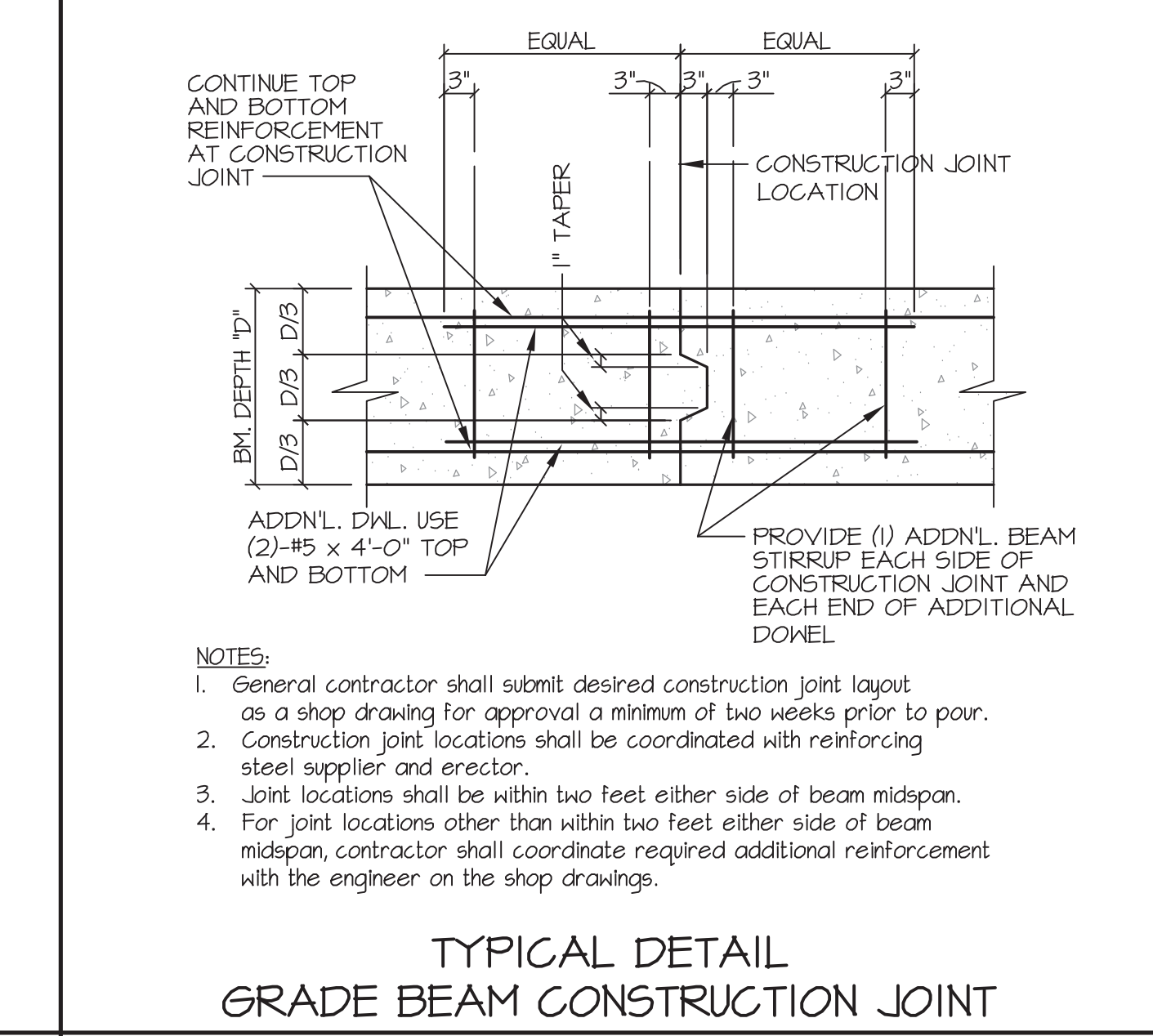
SCALE: 3/4" = 1'-0" 15



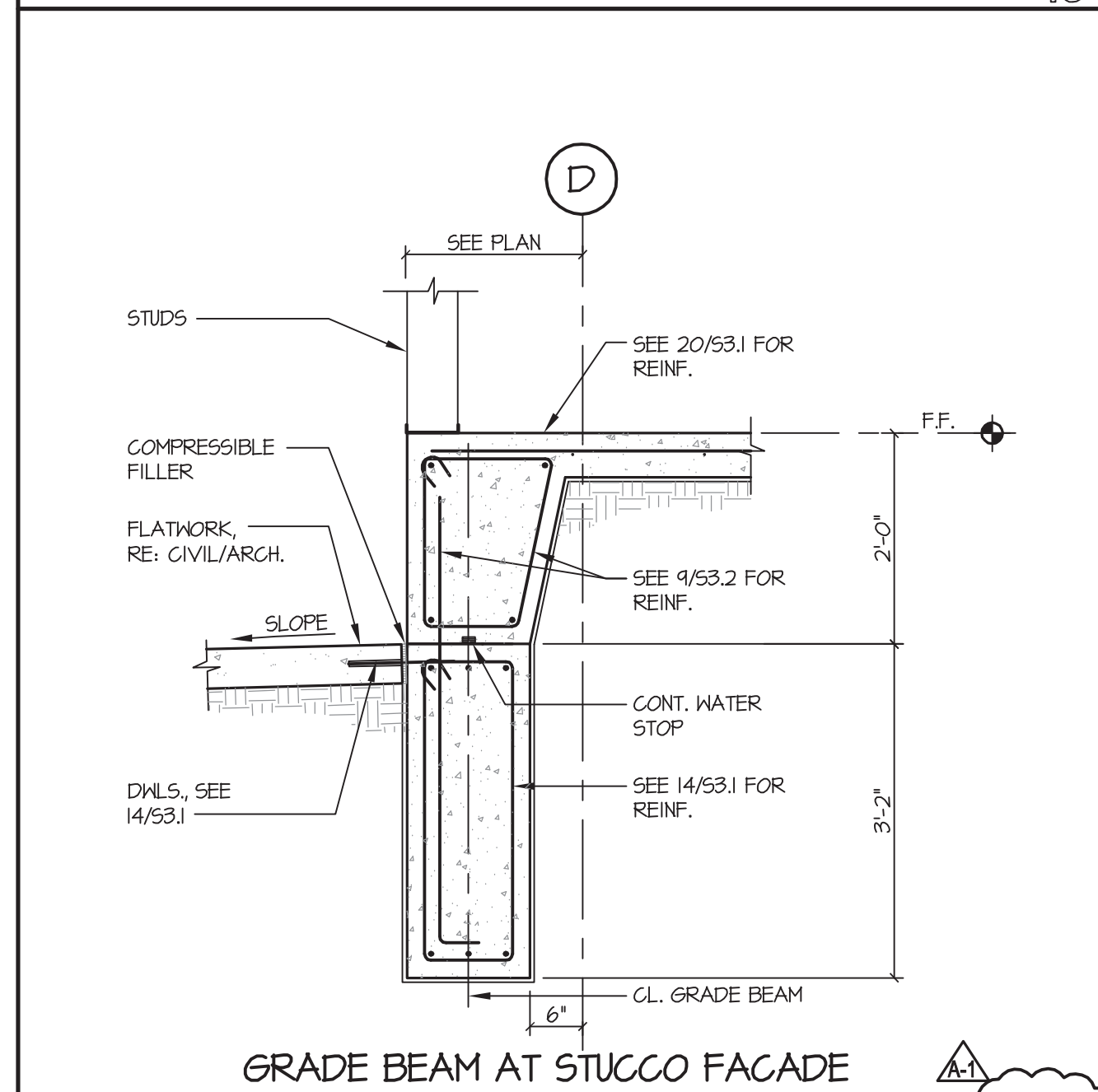
SCALE: 3/4" = 1'-0" 11



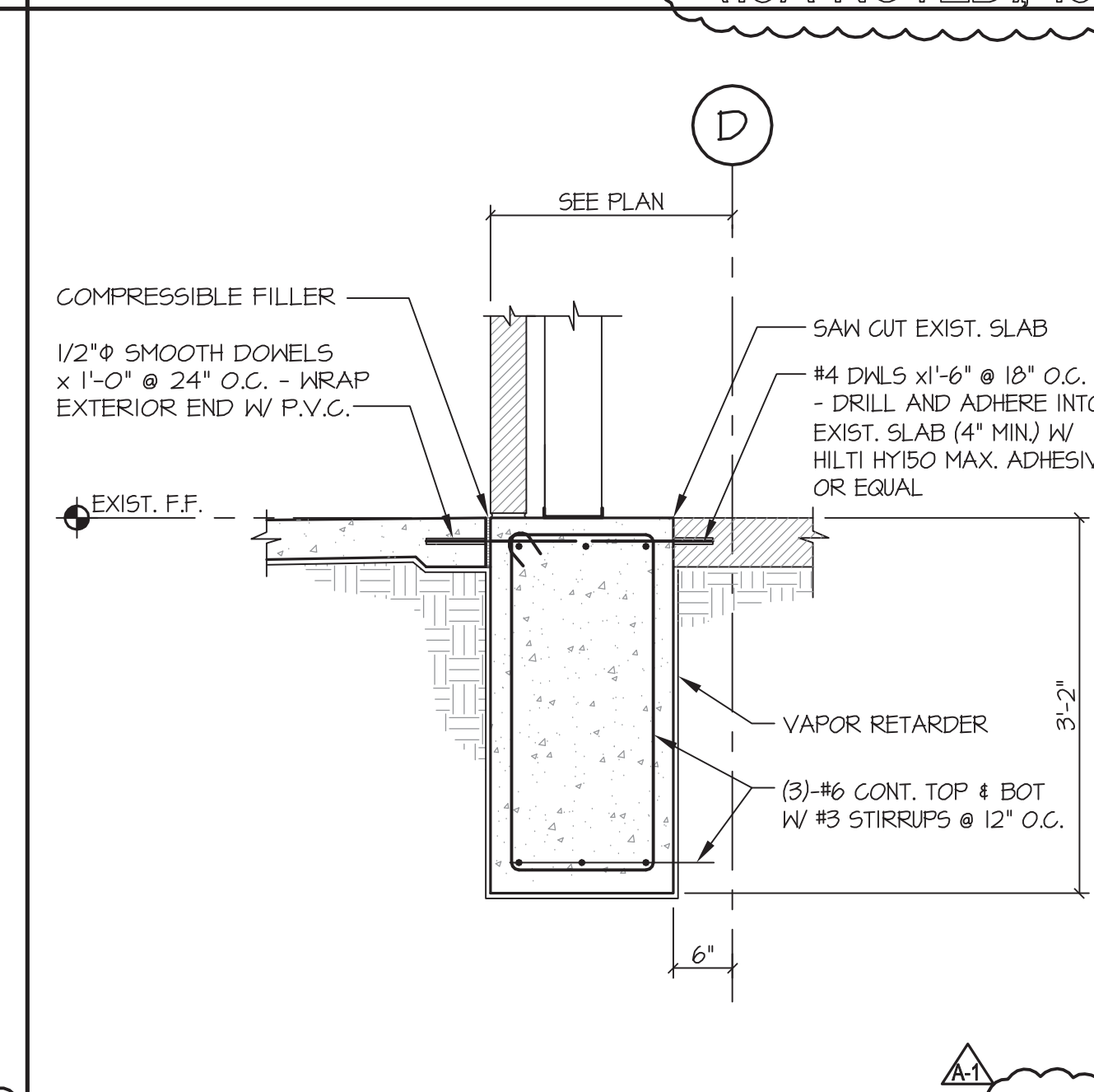
SCALE: 3/4" = 1'-0" 7



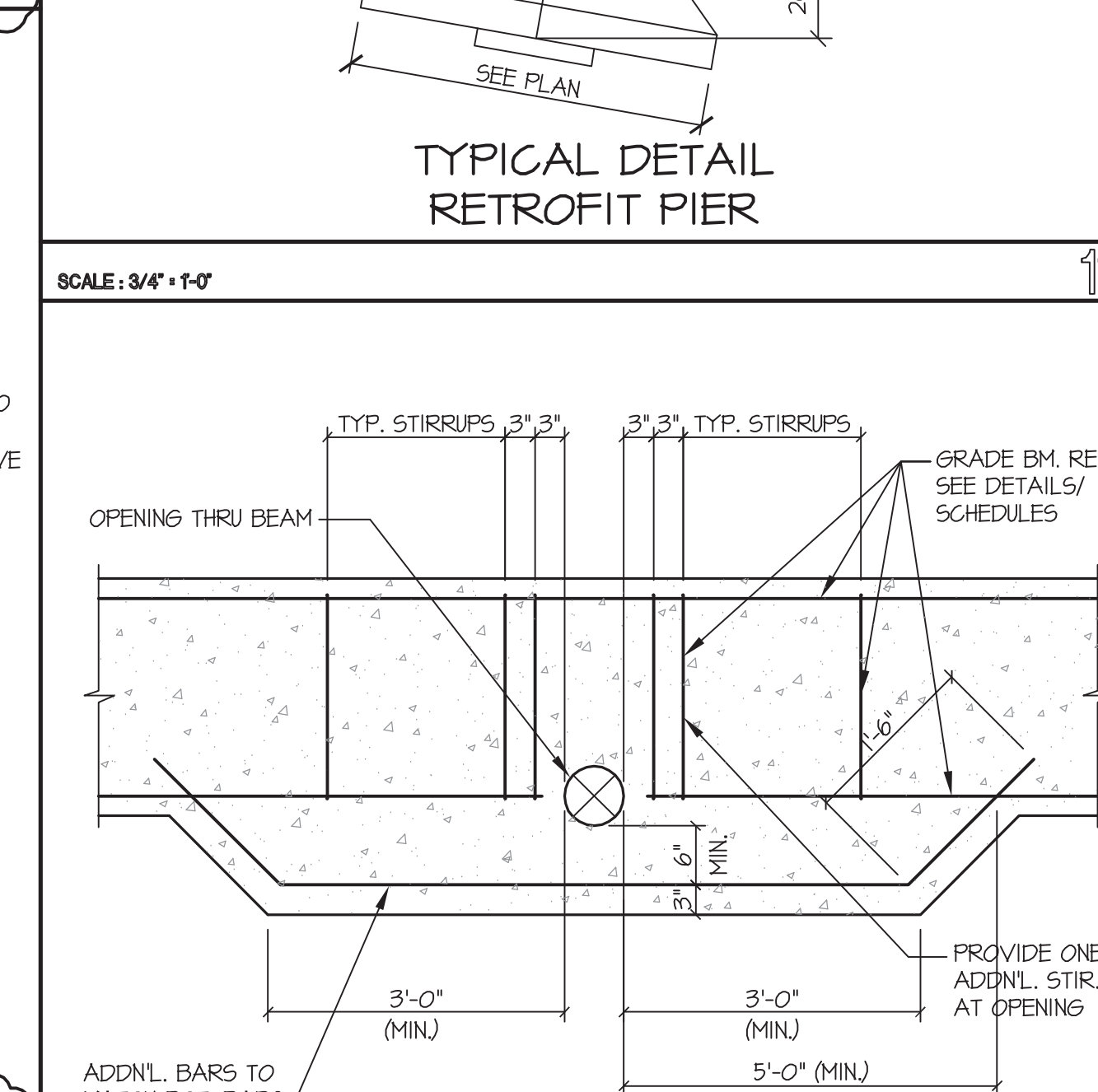
SCALE: 3/4" = 1'-0" 3



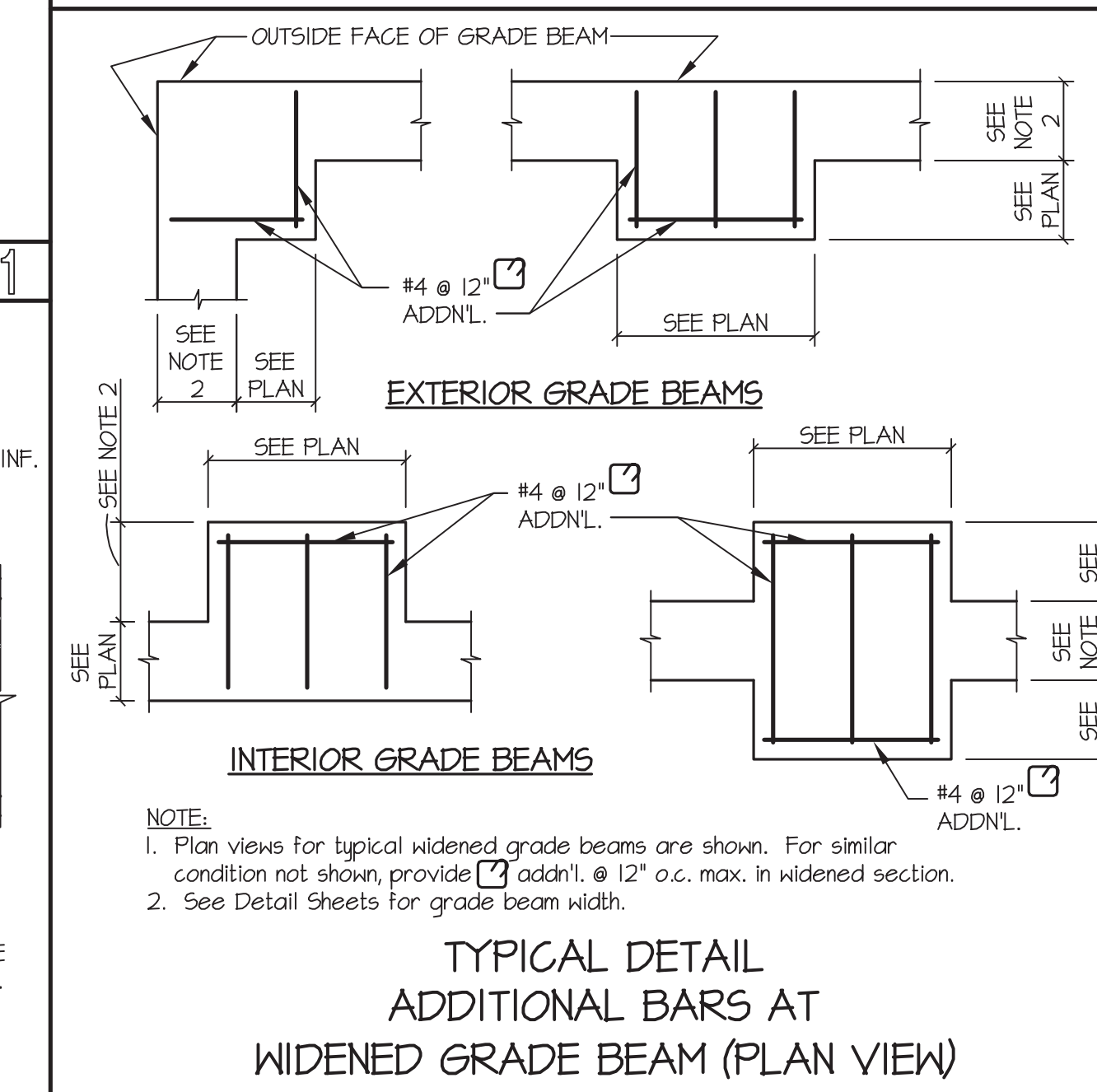
SCALE: 3/4" = 1'-0" 18



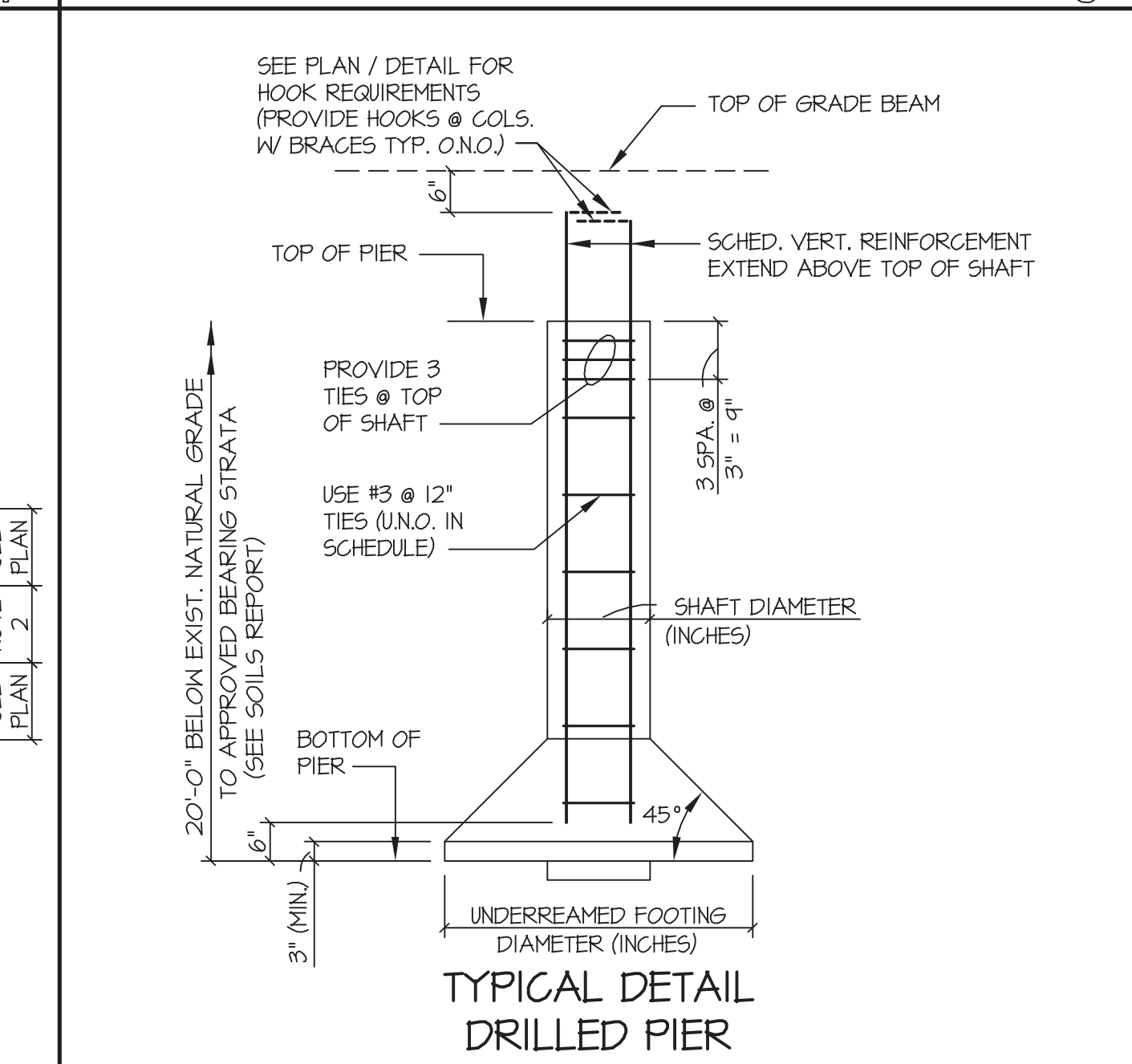
SCALE: 3/4" = 1'-0" 14



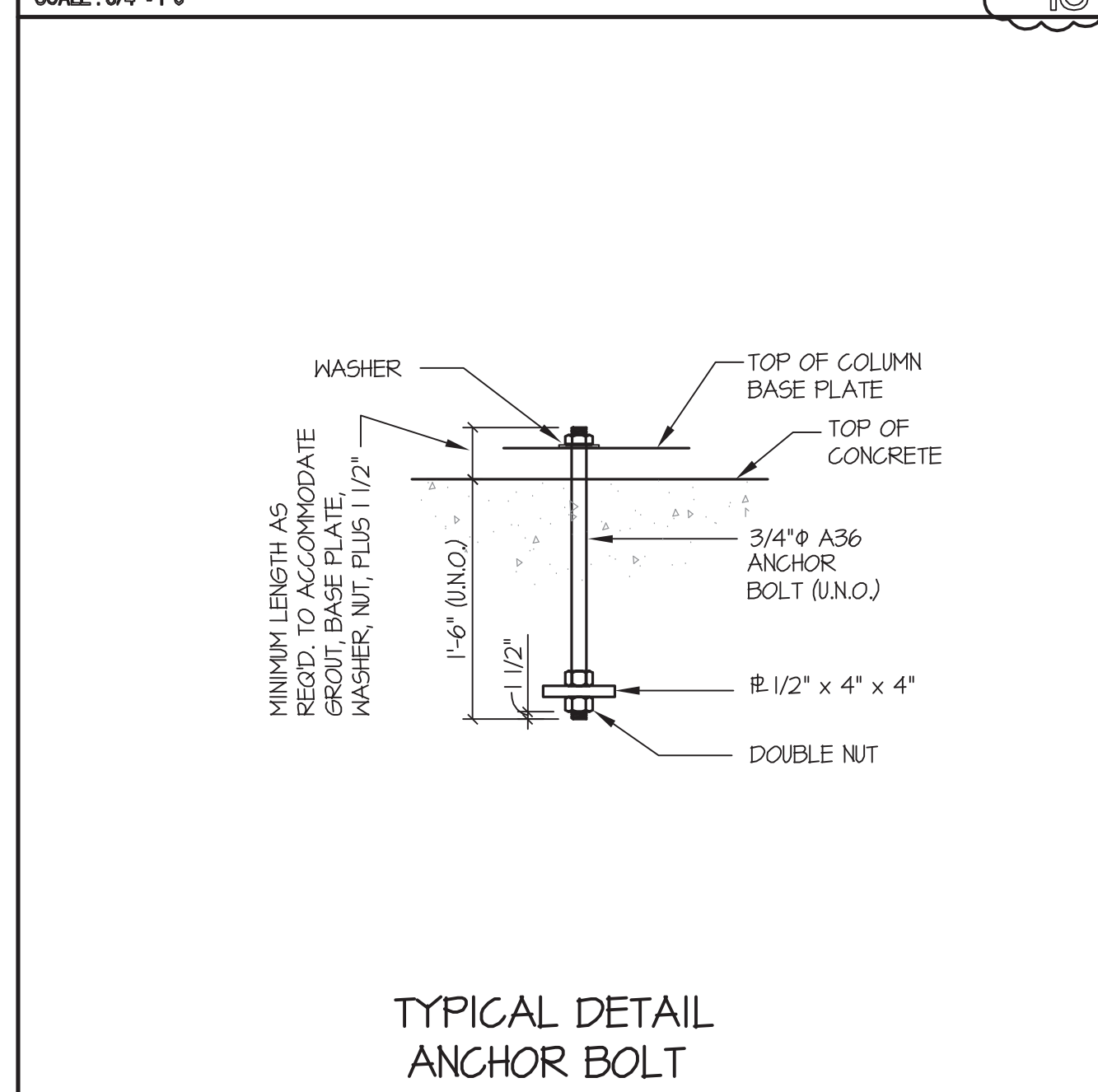
SCALE: 3/4" = 1'-0" 10



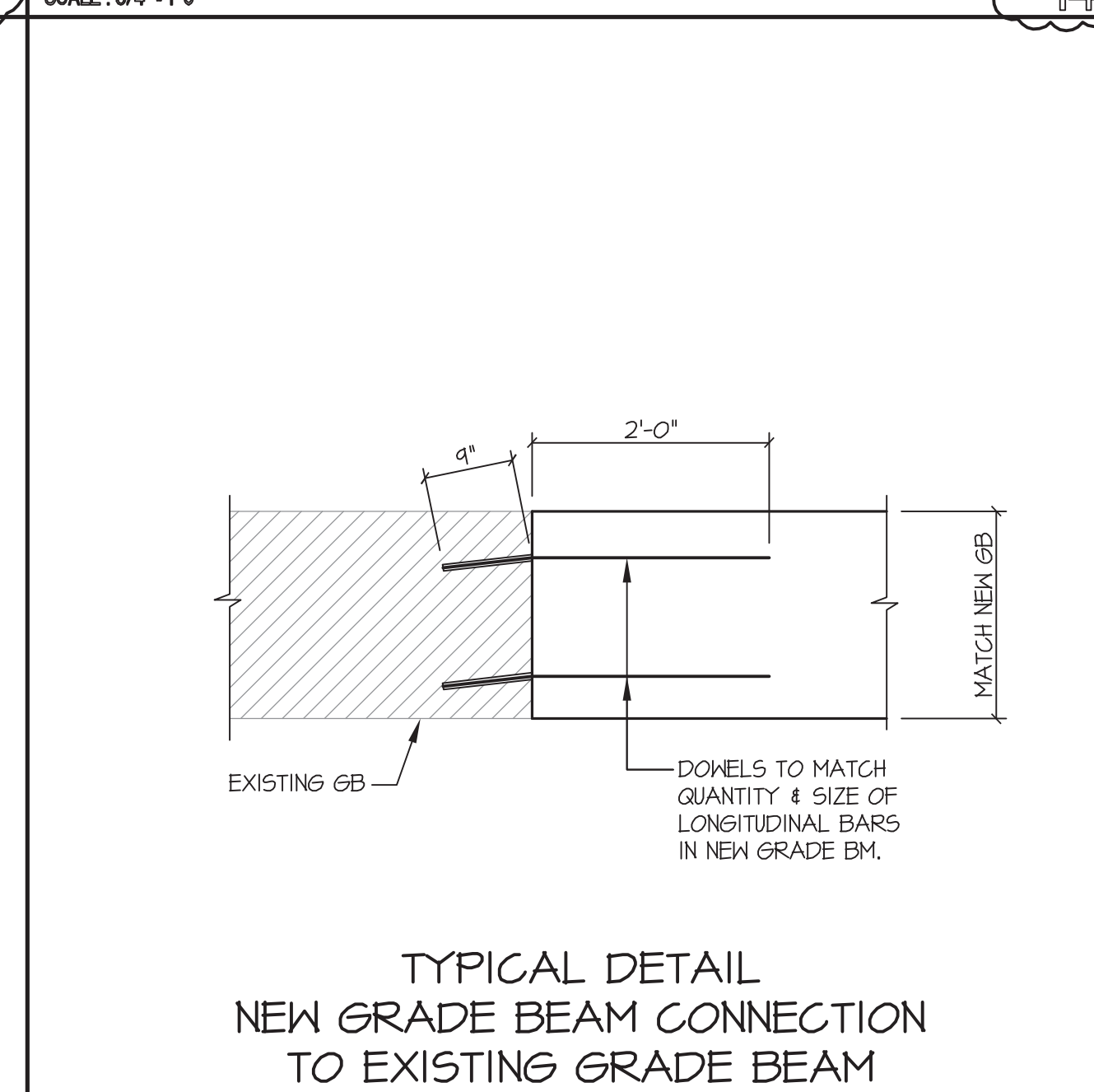
SCALE: 3/4" = 1'-0" 6



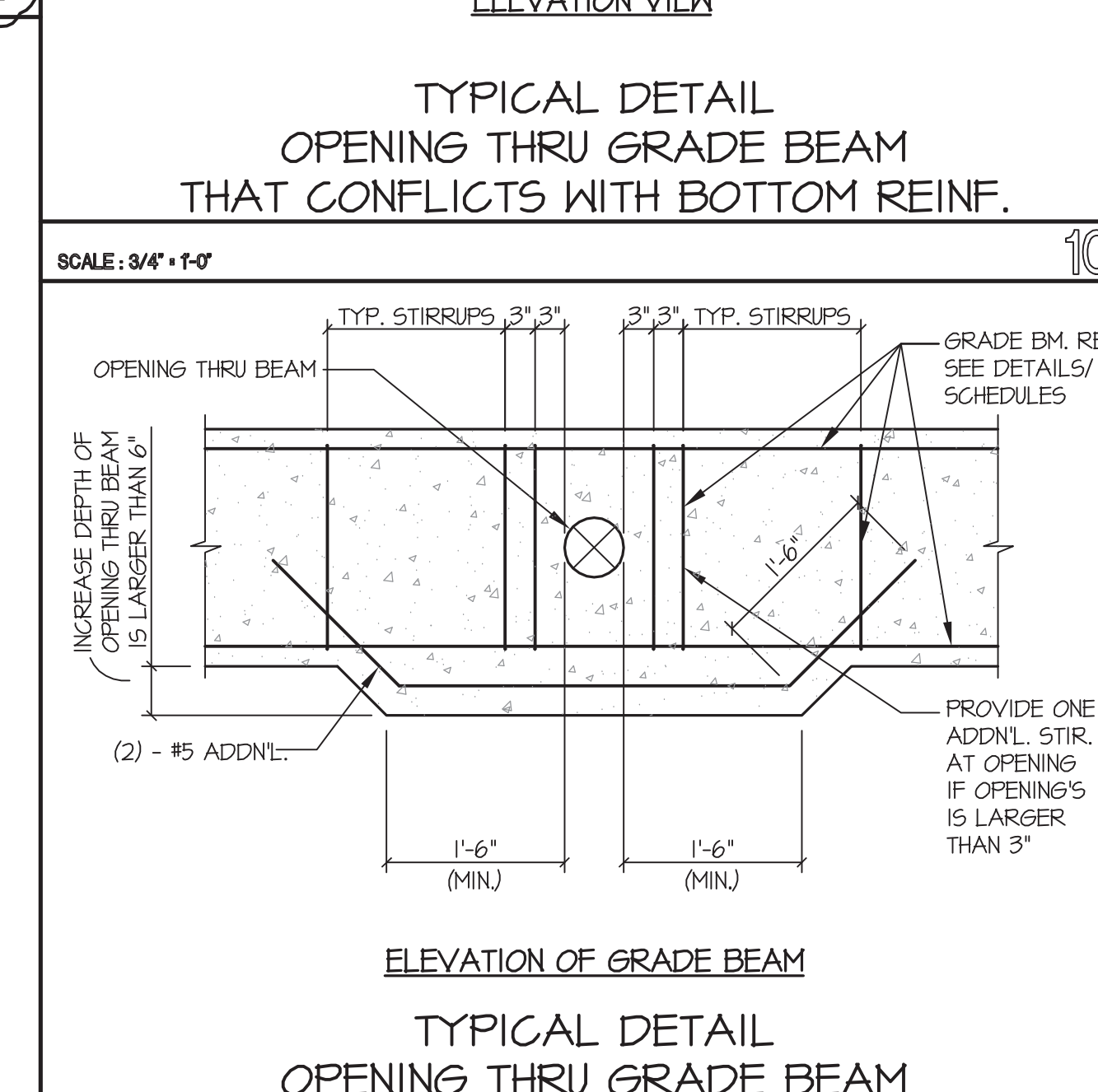
SCALE: 3/4" = 1'-0" 2



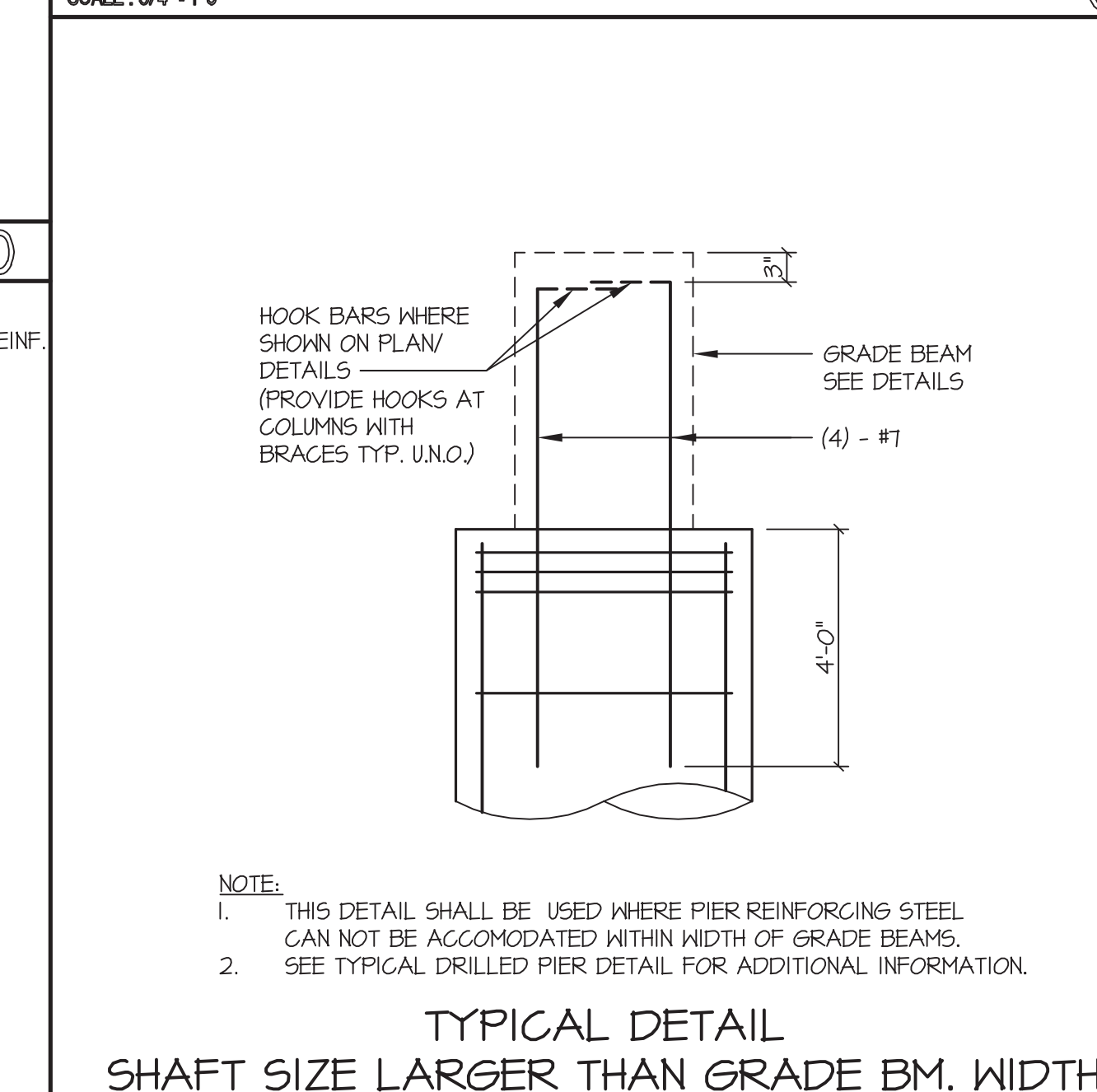
SCALE: 3/4" = 1'-0" 17



SCALE: 3/4" = 1'-0" 9



SCALE: 3/4" = 1'-0" 5



SCALE: 3/4" = 1'-0" 1

RECOMMENDED END HOOKS, ALL GRADES

BAR SIZE	FINISHED BEND DIAMETER D _b (IN)	180° HOOKS		90° HOOKS	
		A OR G, (IN)	L, (IN)	A OR G, (IN)	L, (IN)
#3	2 1/4	5	3	6	6
#4	3	6	4	8	8
#5	3 3/4	7	5	10	10
#6	4 1/2	8	6	12	12
#7	5 1/4	10	7	14	14
#8	6	11	8	16	16
#9	6 1/2	11	8 3/4	16	16

D = INSIDE DIAMETER OF BEND

SCALE: 3/4" = 1'-0" 1

07/01/13
 10/16/13 ADD. #1
 ISSUED FOR CONSTRUCTION
 OCTOBER 8, 2014

WINDLE + VOLPE
 ARCHITECTS
 7600 GRIFFITH
 HOUSTON, TEXAS 77063
 PH 713-953-1990

MATRIX
 STRUCTURAL
 ENGINEERS
 24 GREENWAY PLAZA
 SUITE 1508
 HOUSTON, TEXAS 77046-2401
 PHONE: (713) 684-0130
 FAX: (713) 684-1370
 Matrix Structural Engineers
 TBPCE Firm Registration No. F-2640

MARSHALLS SHELL
CROSSROADS MALL
 GREENVILLE, TEXAS
GREENVILLE PROPERTIES LTD.
 GREENVILLE, TEXAS

DATE: 10/16/2013
 PRODUCT NO.: 08-12-03
 DRAWN BY: BN

**FOUNDATION
 DETAILS**
S3.1

MSE-13024 21 OF 24
 COPYRIGHT © 2013 WINDLE + VOLPE Architects