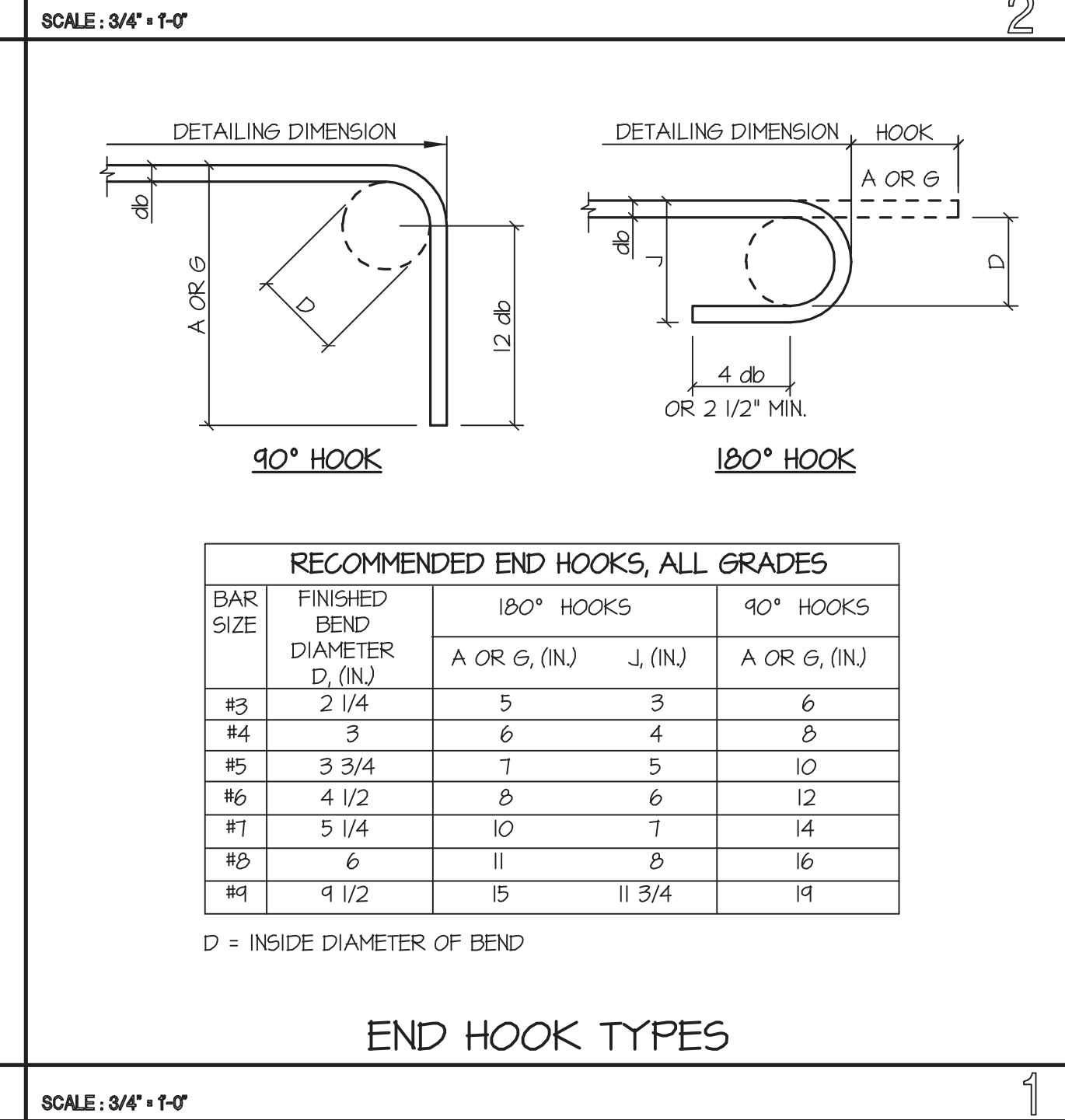
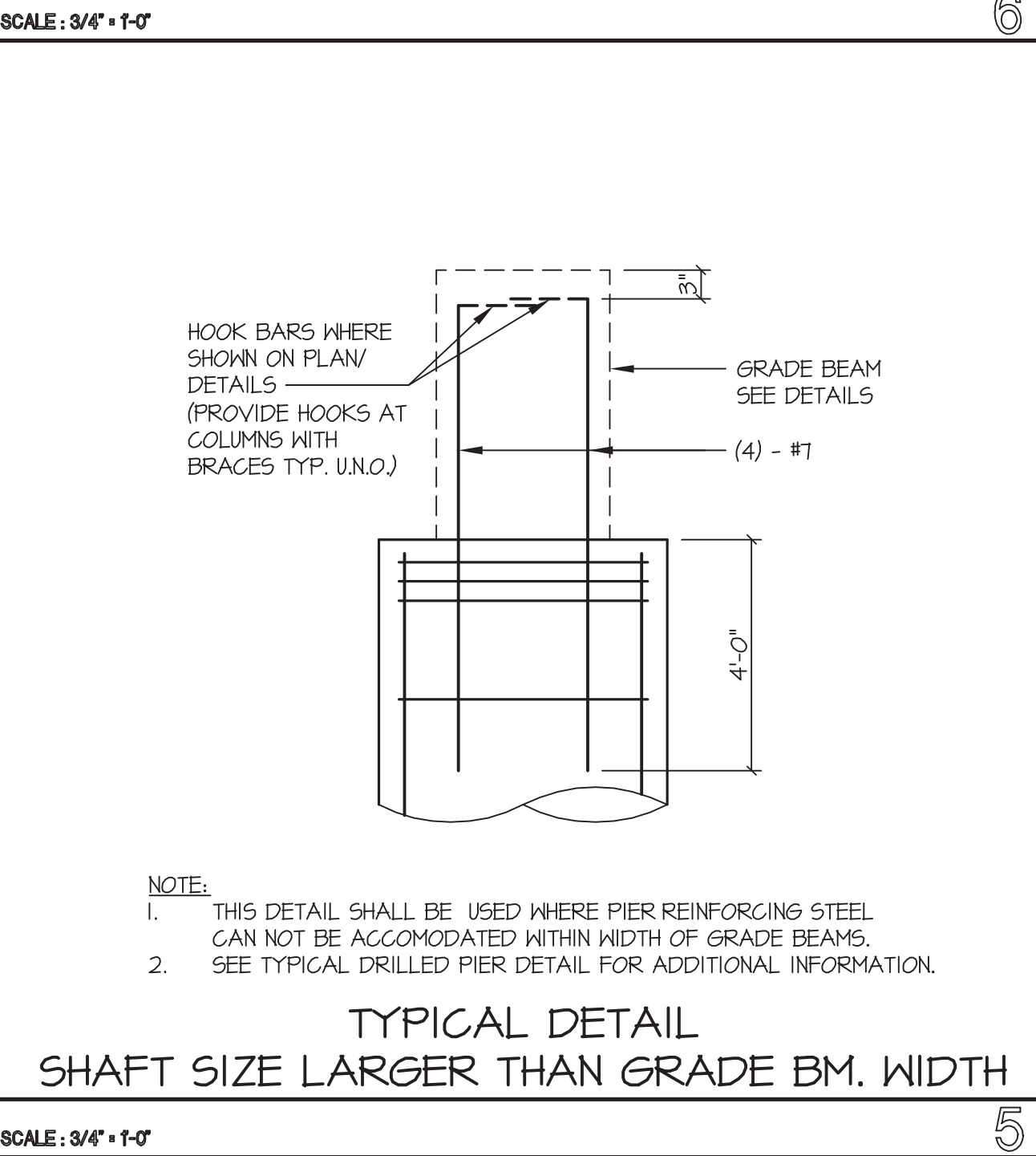
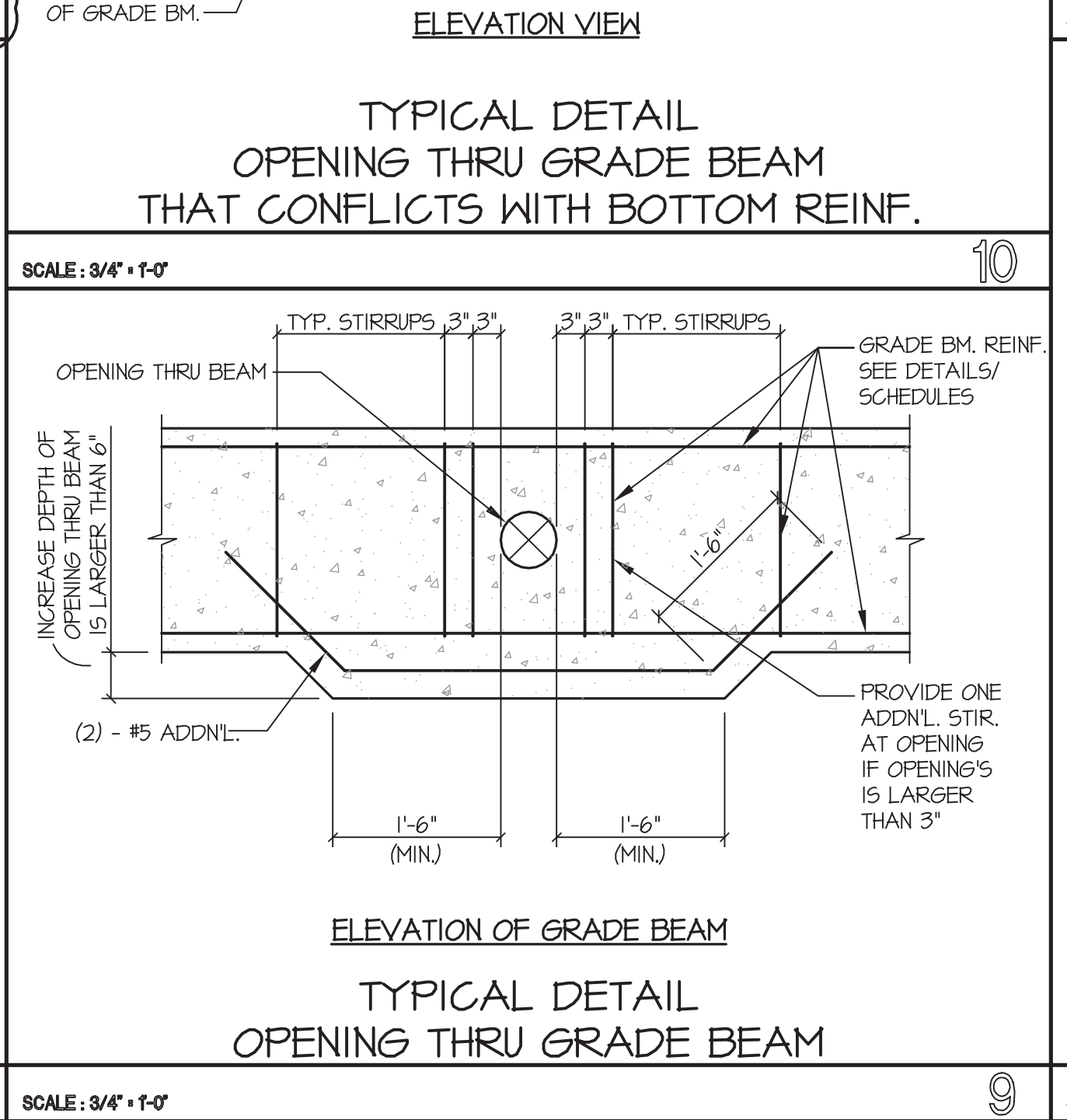
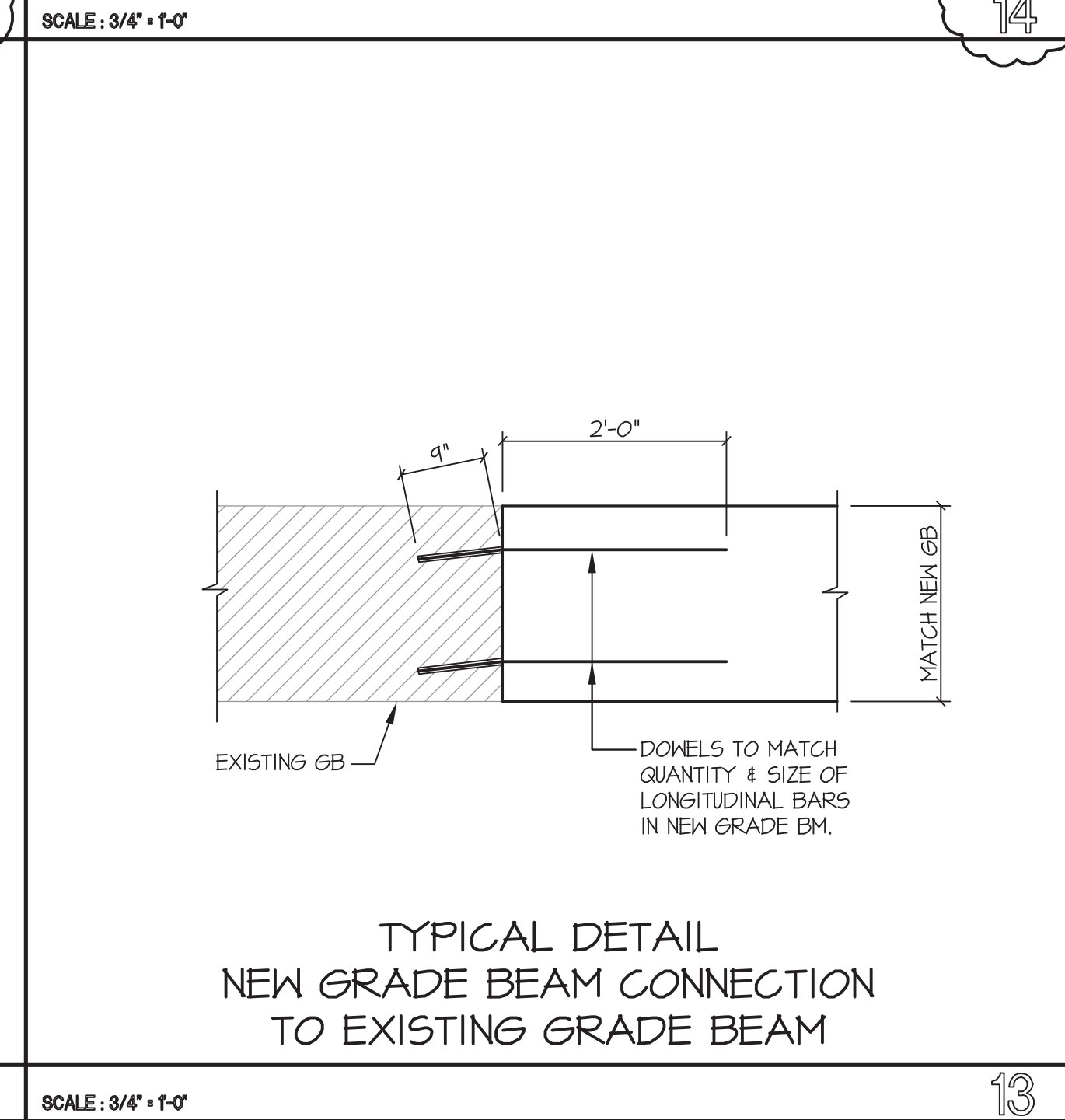
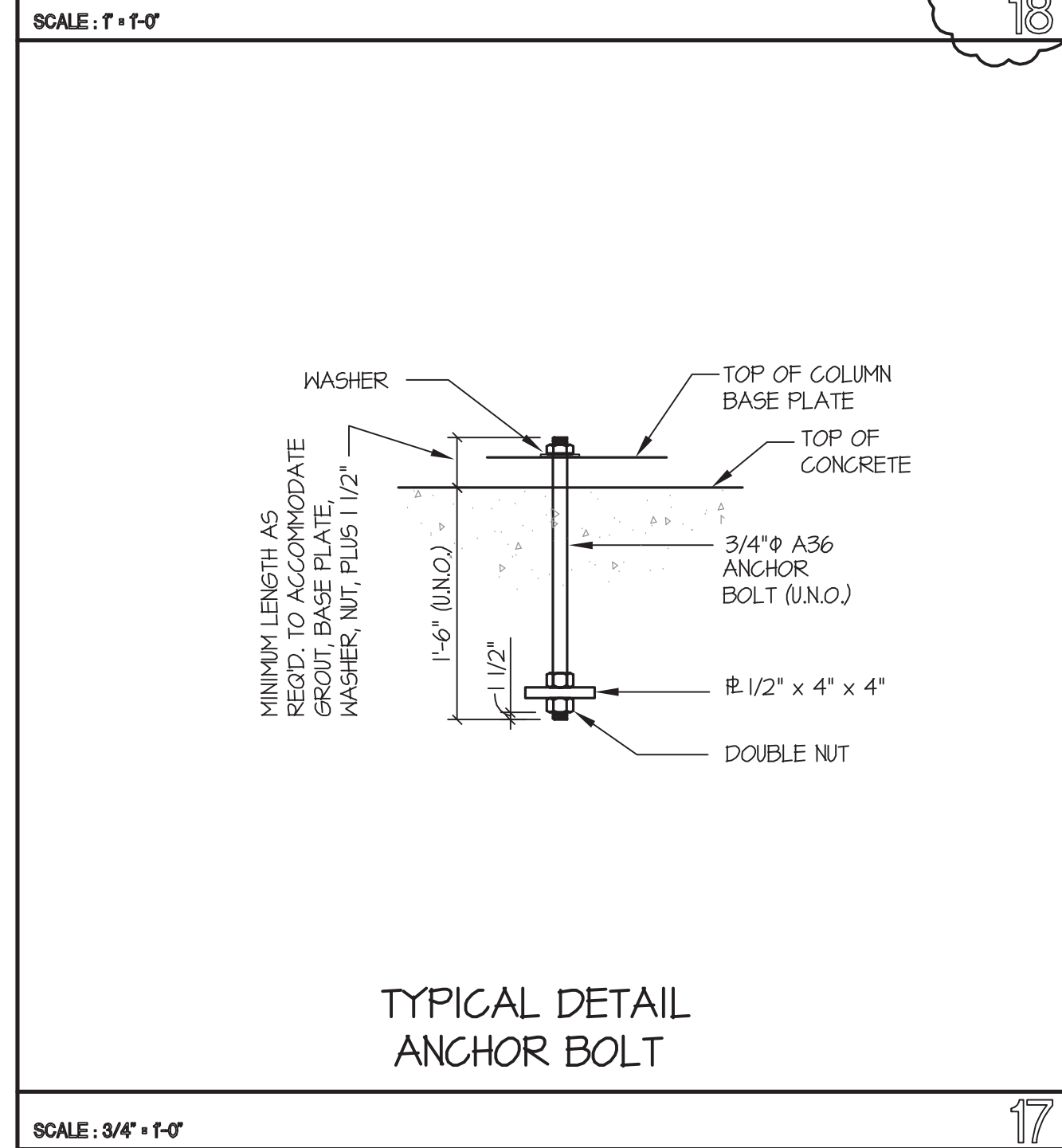
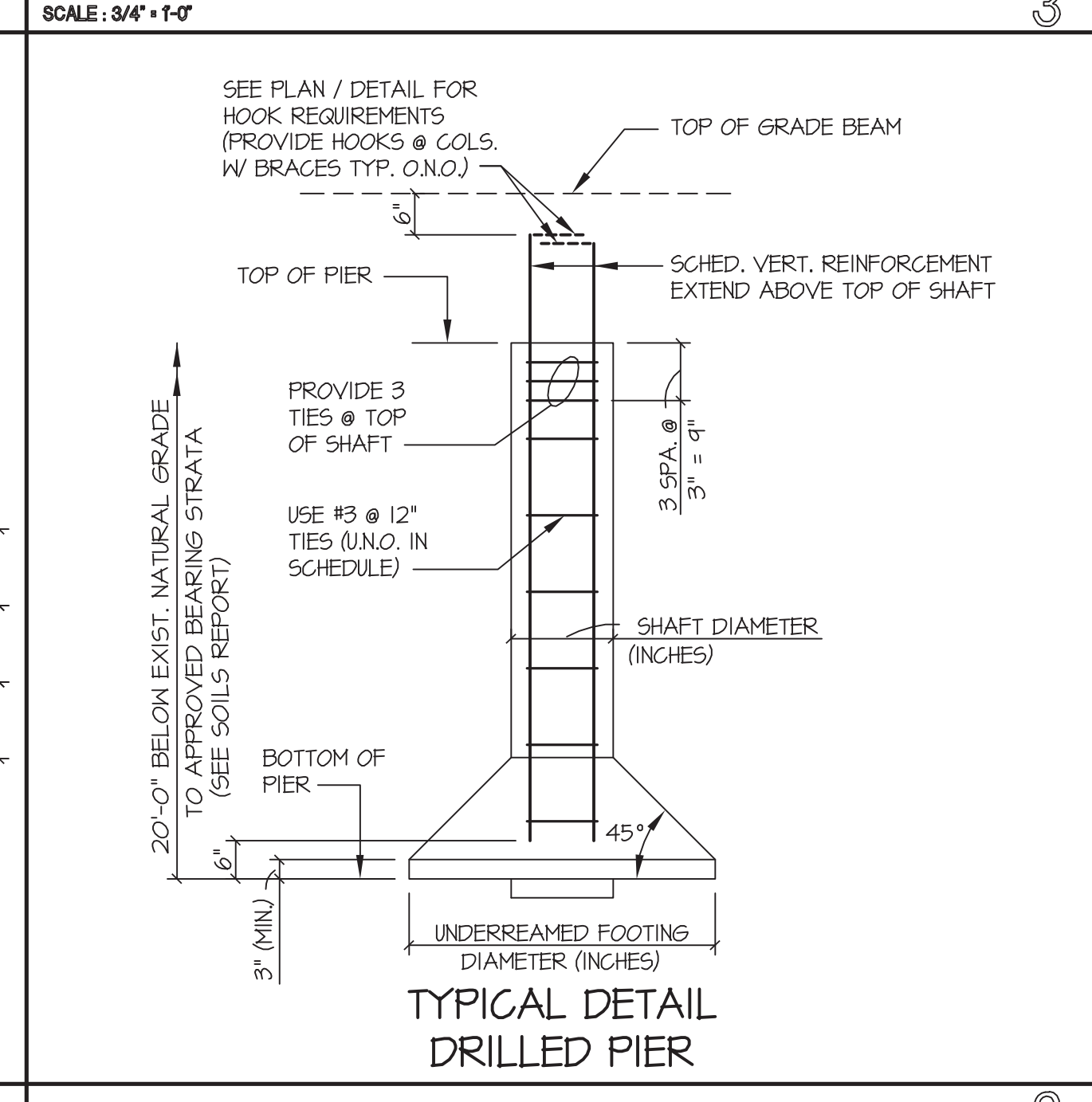
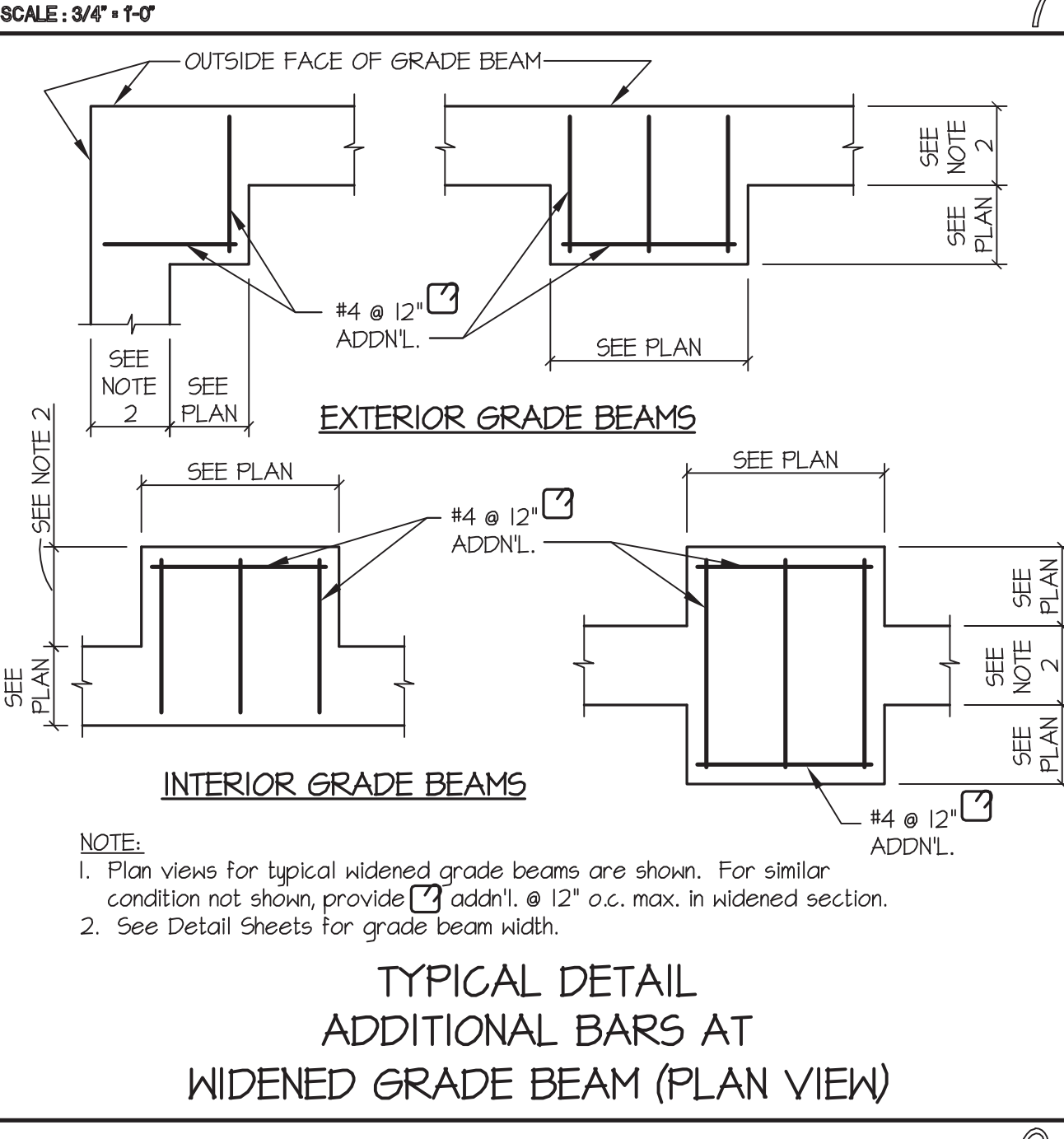
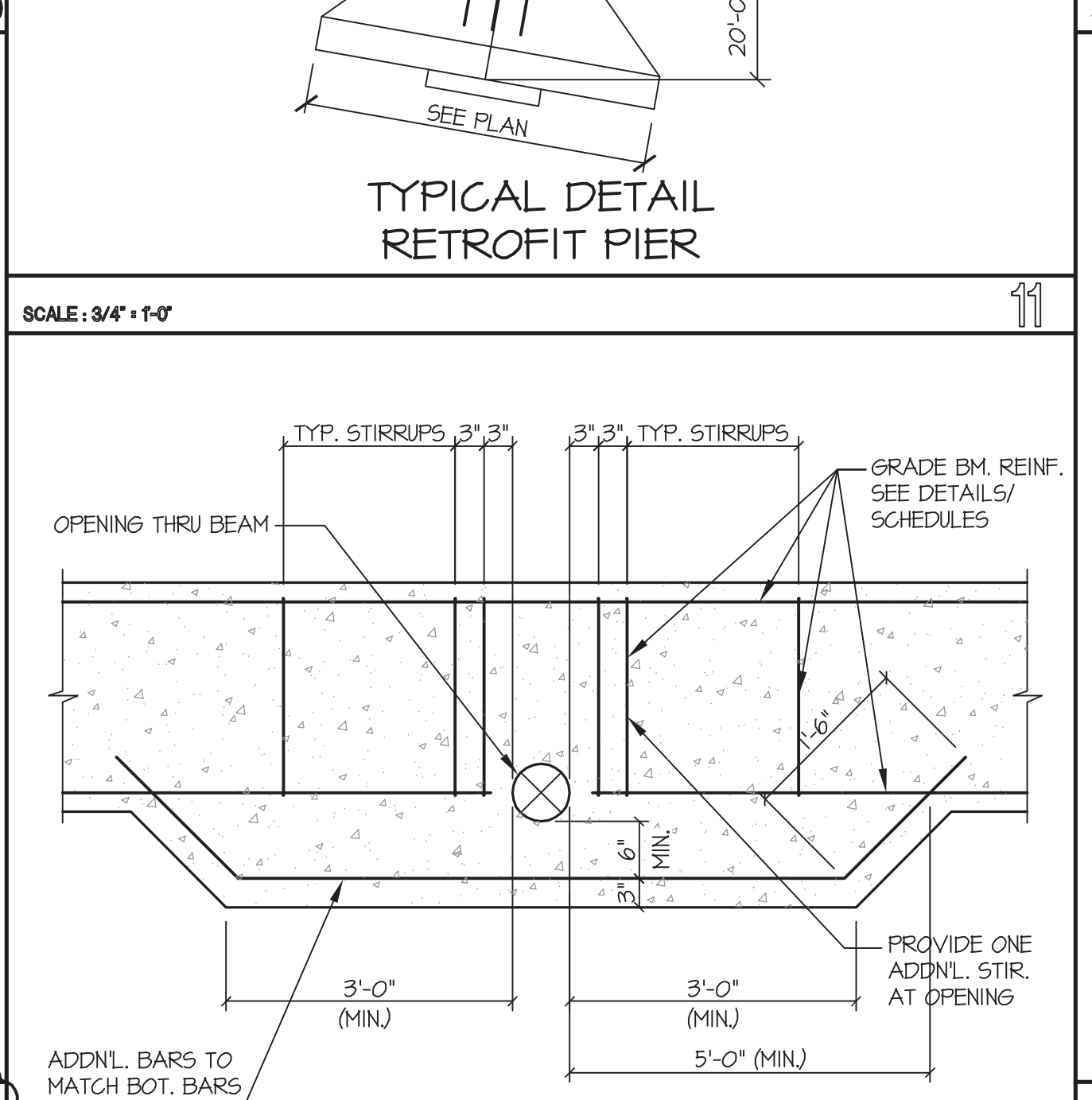
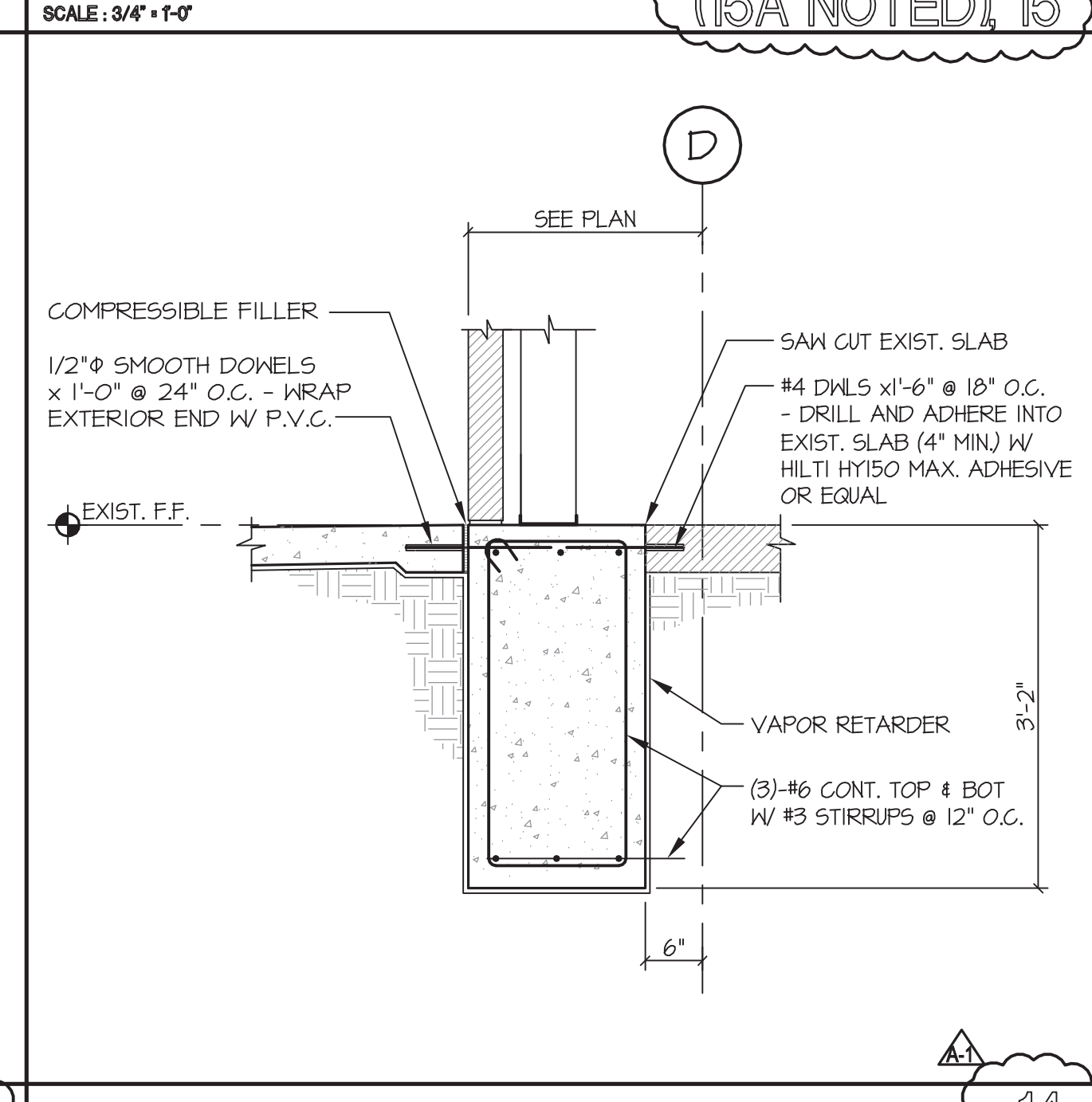
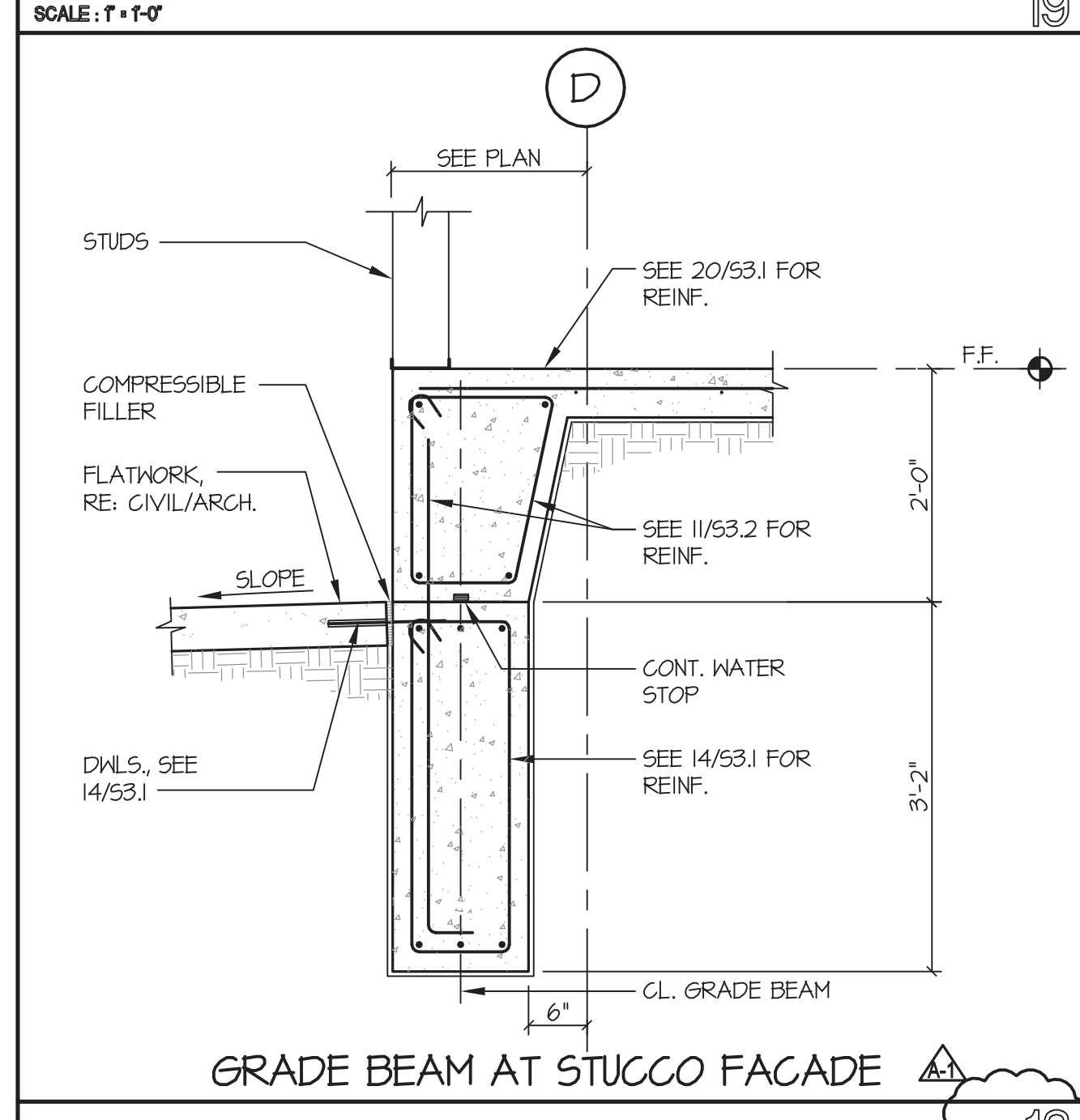
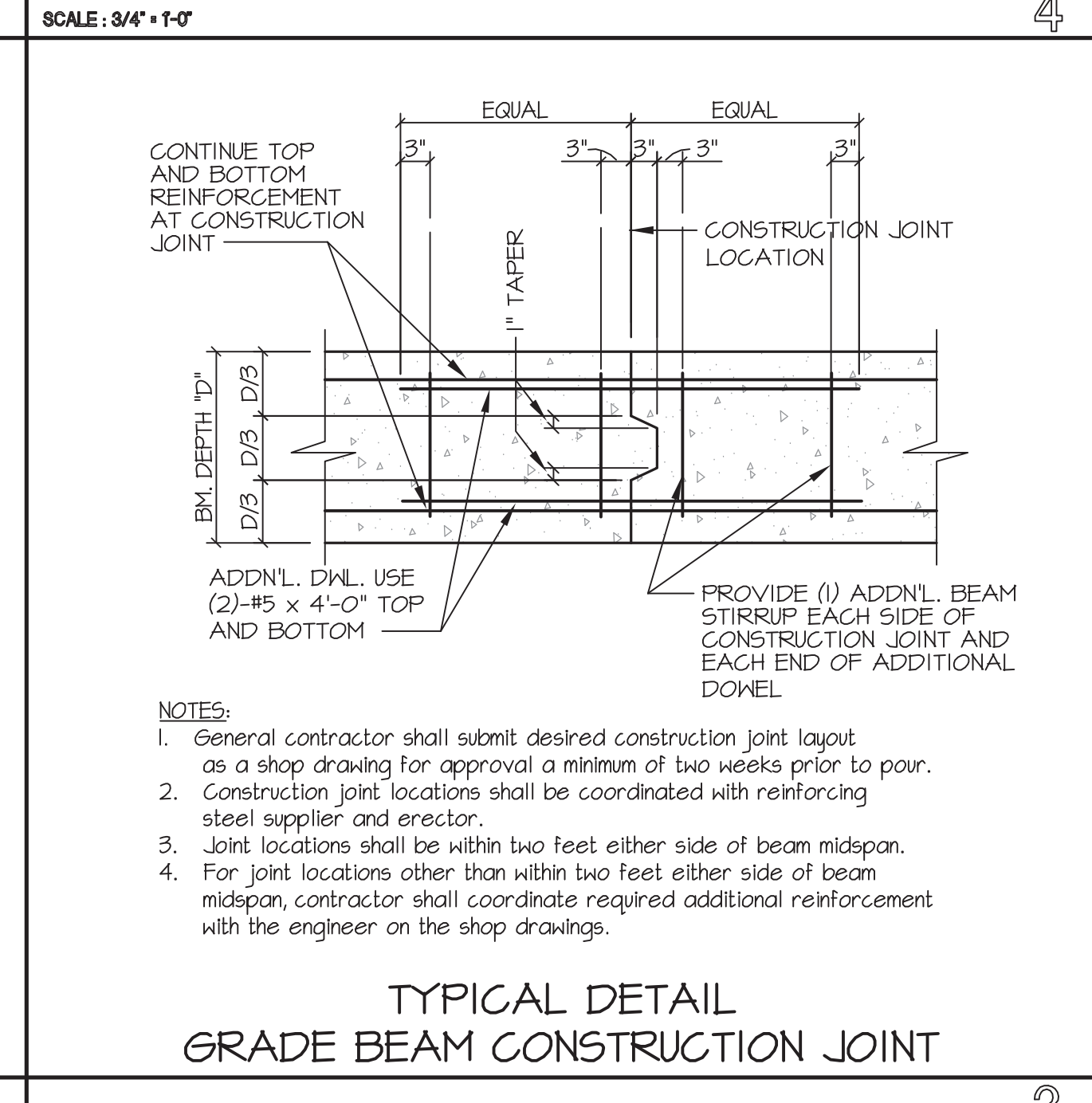
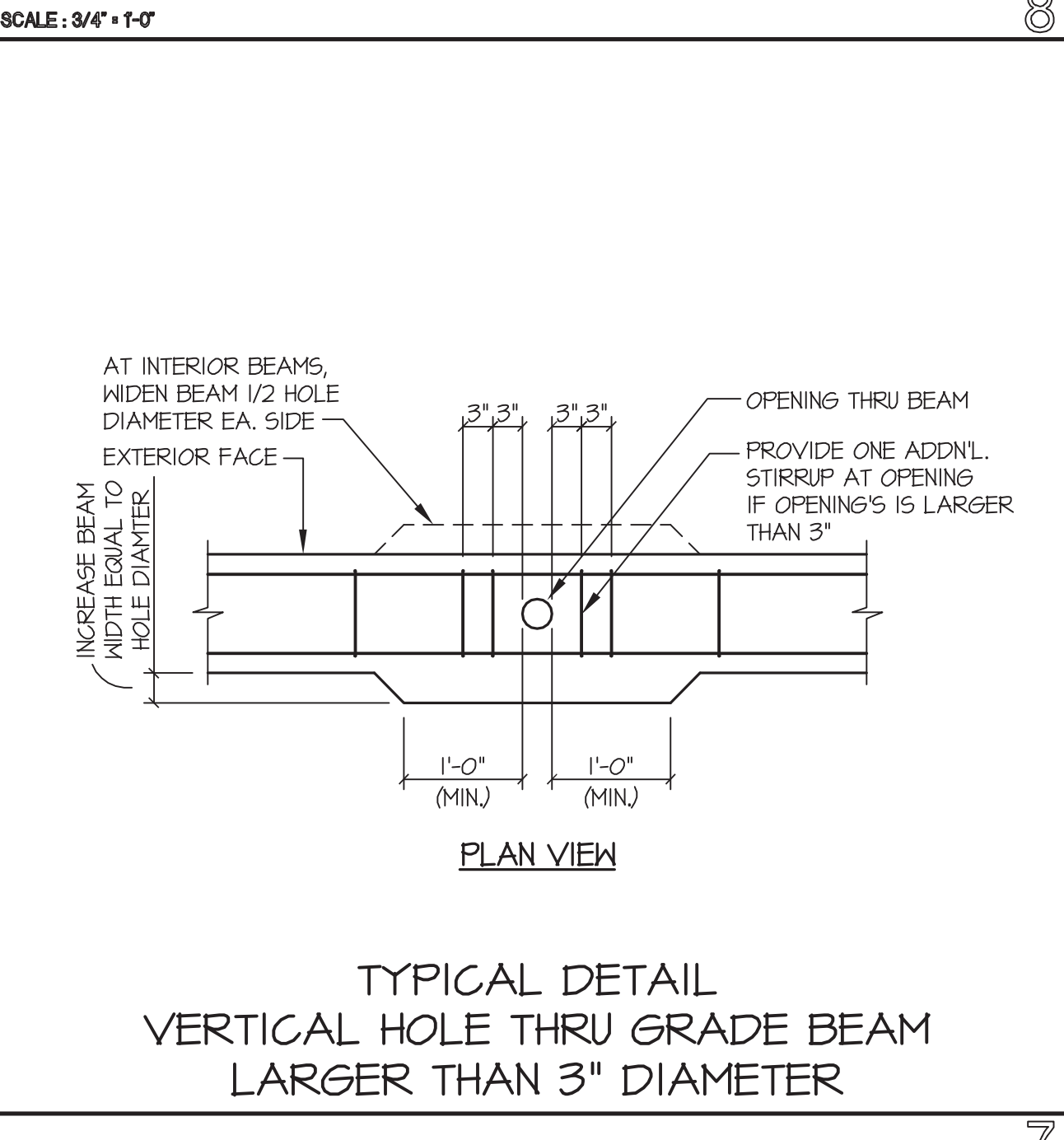
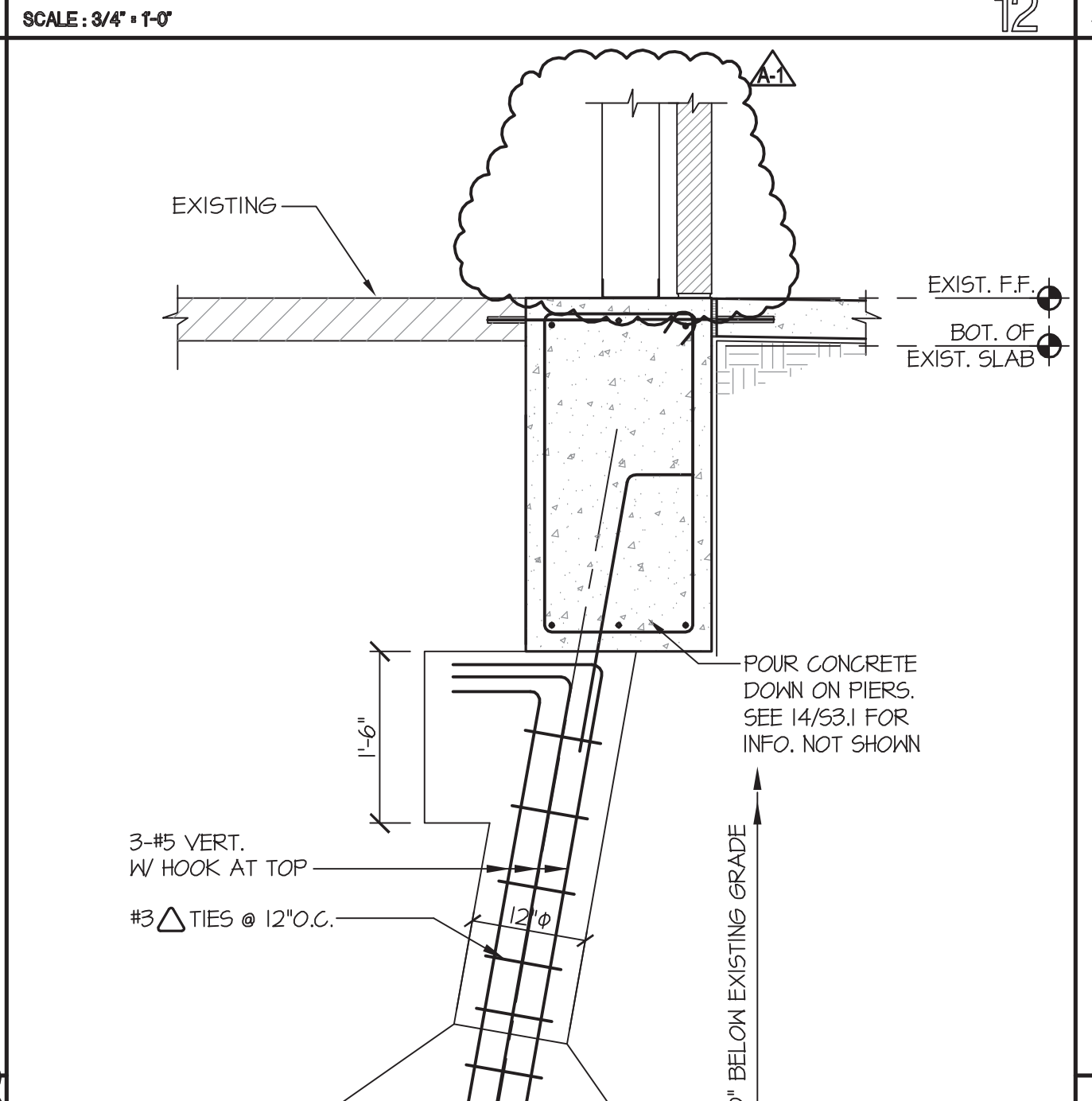
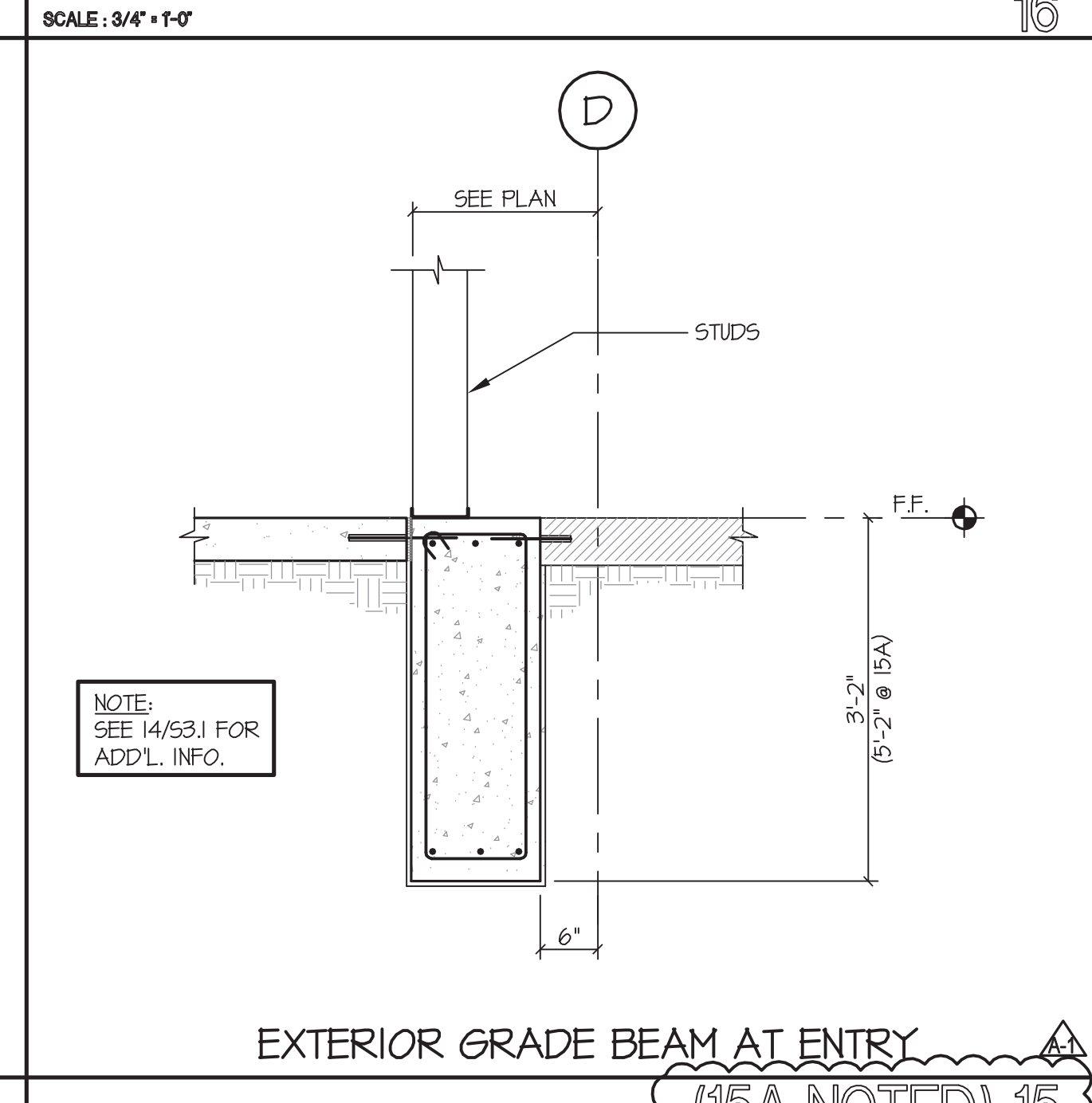
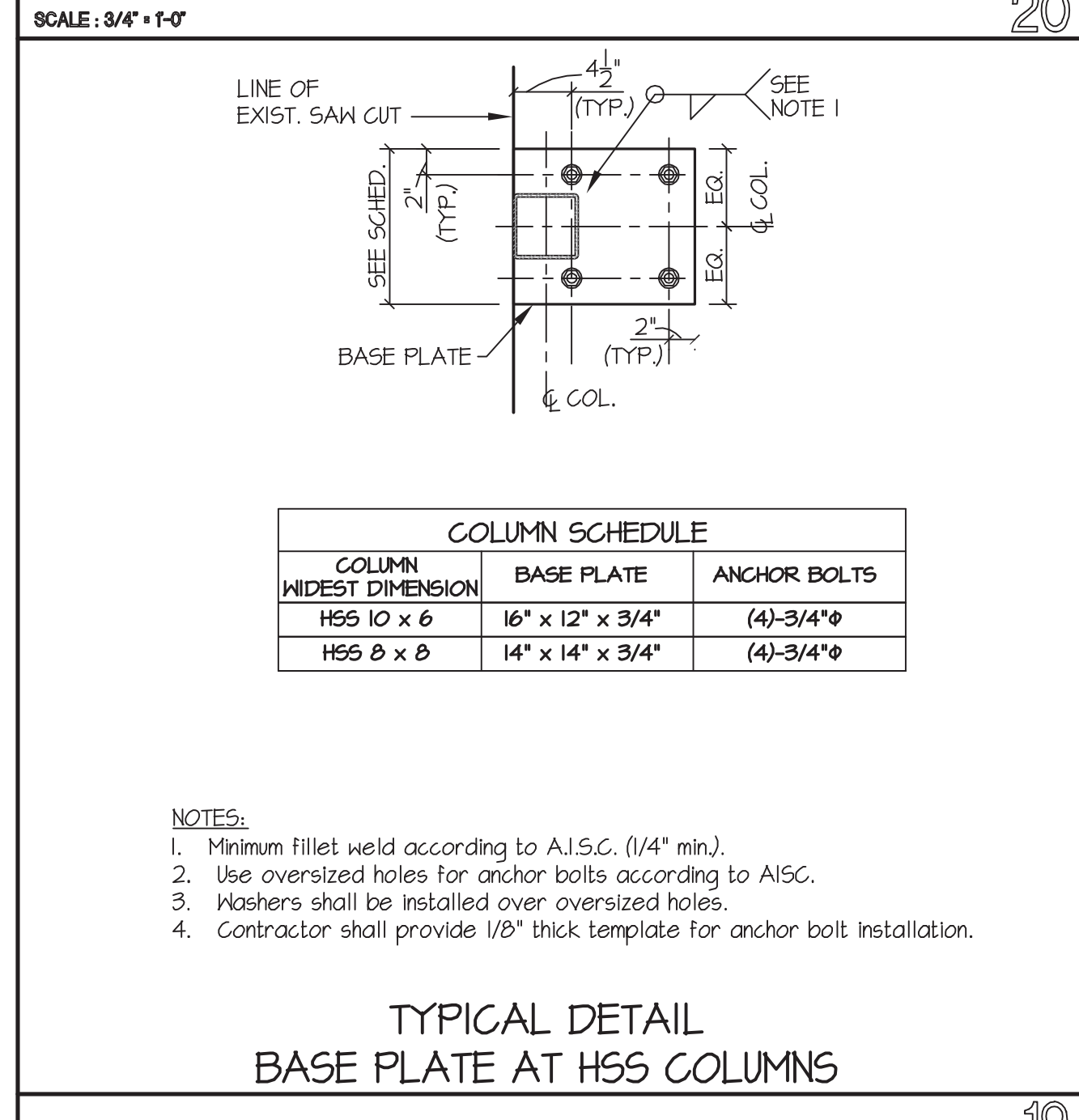
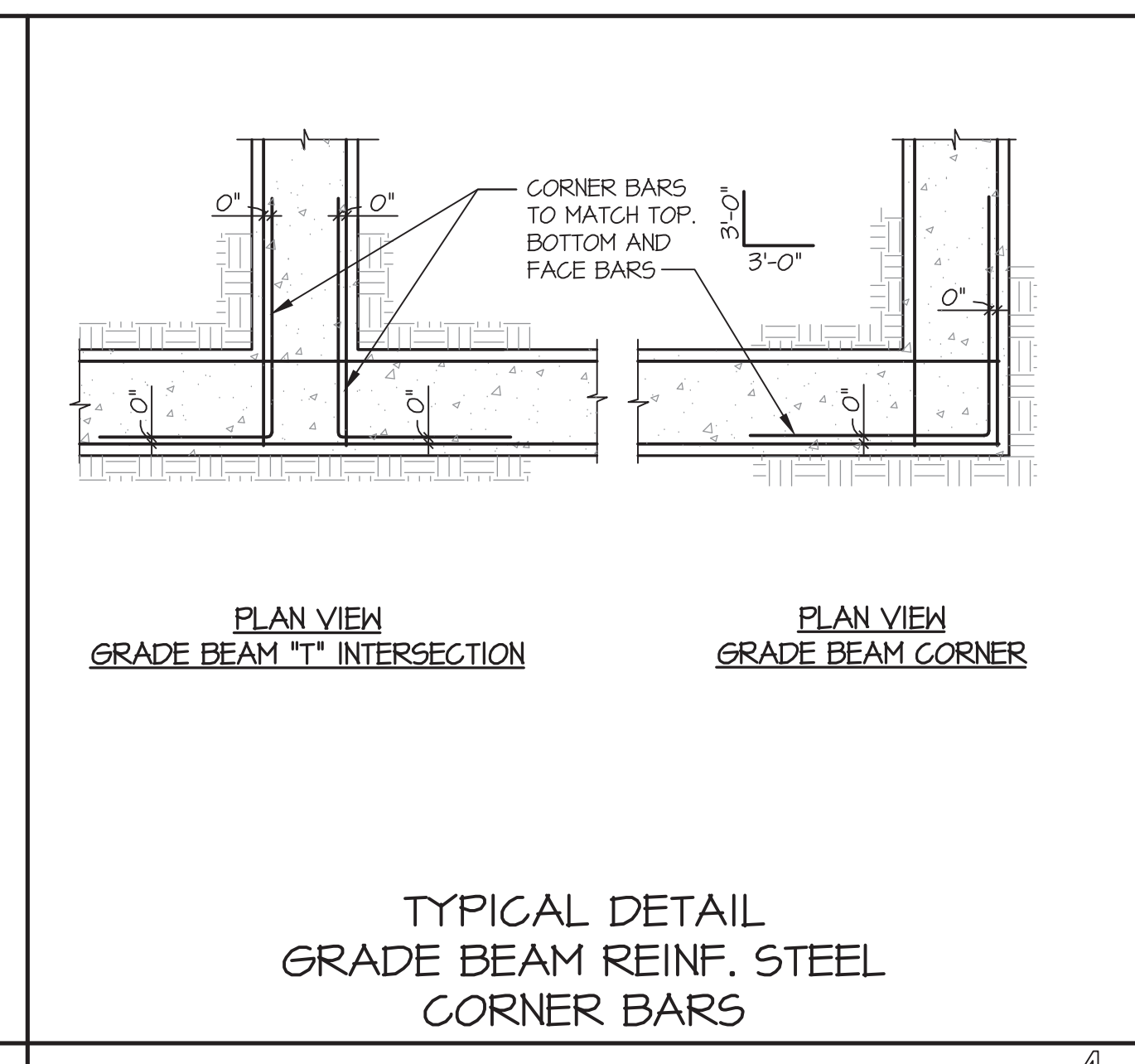


**DRILLED PIER VERTICAL REINFORCEMENT SCHEDULE**

| SHAFT DIAMETER (INCHES) | VERTICAL REINFORCEMENT (USE #3 @ 12" UNO.) | TIES (USE #3 @ 12" UNO.) |
|-------------------------|--|--------------------------|
| 12                      | 3 - #5                                     |                          |
| 14, 16                  | 4 - #5                                     |                          |
| 18, 20                  | 4 - #6                                     |                          |
| 22, 24, 26              | 5 - #7                                     |                          |
| 28, 30                  | 5 - #8                                     |                          |
| 36                      | 5 - #4                                     |                          |
| 42                      | 7 - #4                                     |                          |
| 48                      | 7 - #10                                    |                          |

**SHAFT BAR PLACEMENT PLANS**

SCALE: 3/4" = 1'-0"



07/01/13  
10/16/13 ADD.#1  
ISSUED FOR CONSTRUCTION  
OCTOBER 8, 2014

**WINDLE + VOLPE**  
ARCHITECTS  
7600 9TH BLDG  
HOUSTON, TEXAS 77063  
PH 713-955-1990

**MATRIX STRUCTURAL ENGINEERS**  
24 GREENWAY PLAZA  
SUITE 1500  
HOUSTON, TEXAS 77046-2401  
PHONE: (713) 664-0130  
FAX: (713) 664-1370  
Matrix Structural Engineers  
TSP#E Firm Registration No. F-2840

**ROSS SHELL CROSSROADS MALL GREENVILLE, TEXAS**  
**GREENVILLE PROPERTIES LTD.**  
GREENVILLE, TEXAS

10/16/2013  
DATE  
08-12-02  
PRODUCT NO.  
BN  
DRAWN BY

**FOUNDATION DETAILS**

**S3.1**

MSE-13024  
21 OF 24  
COPYRIGHT © 2013 WINDLE + VOLPE Architects