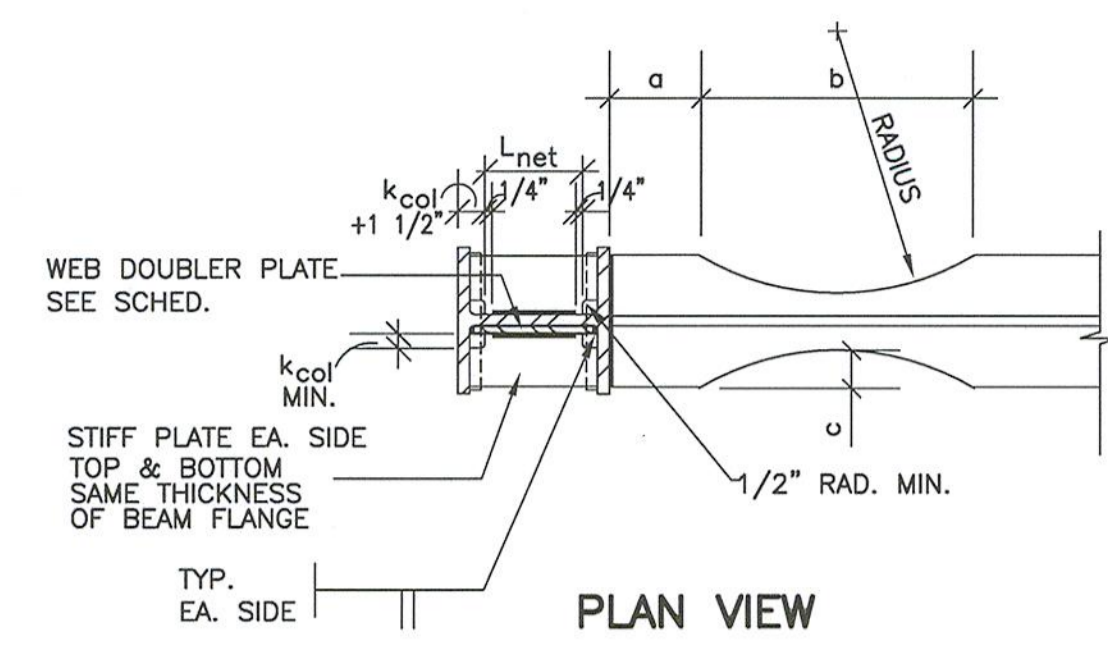


LABS
B U L A 1 0 5 1 6
APPROVED

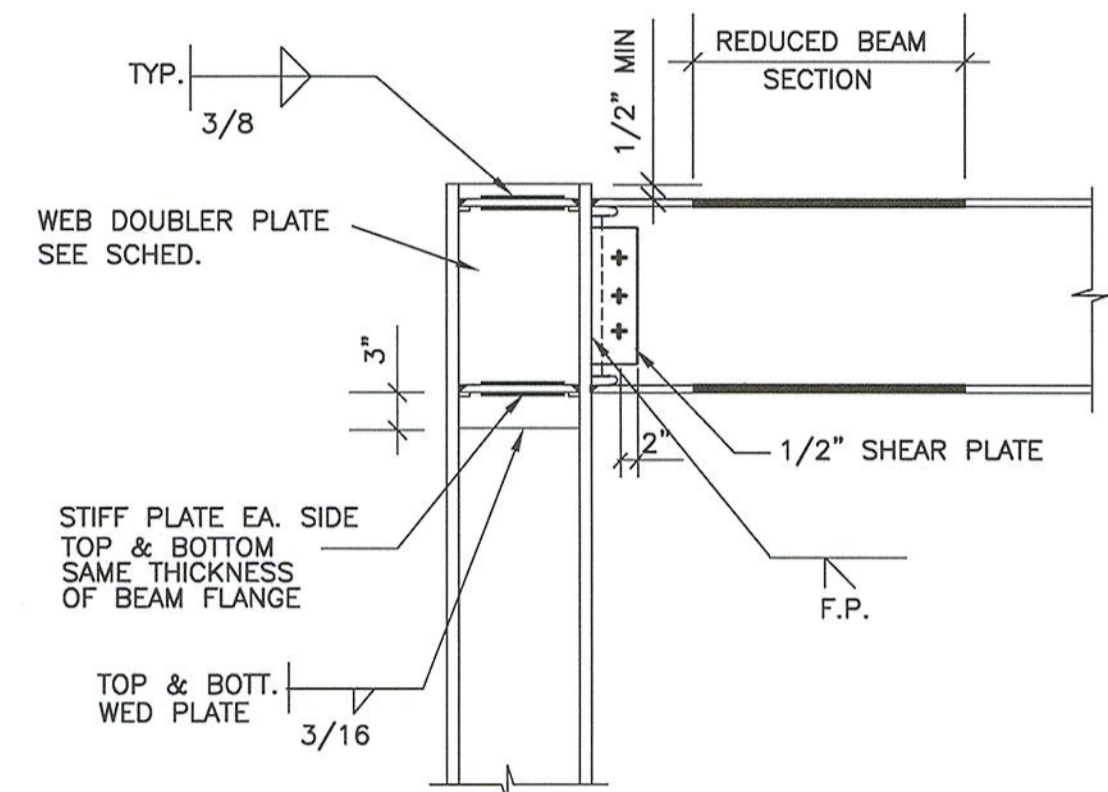
REVISION	BY
8-5-2016	



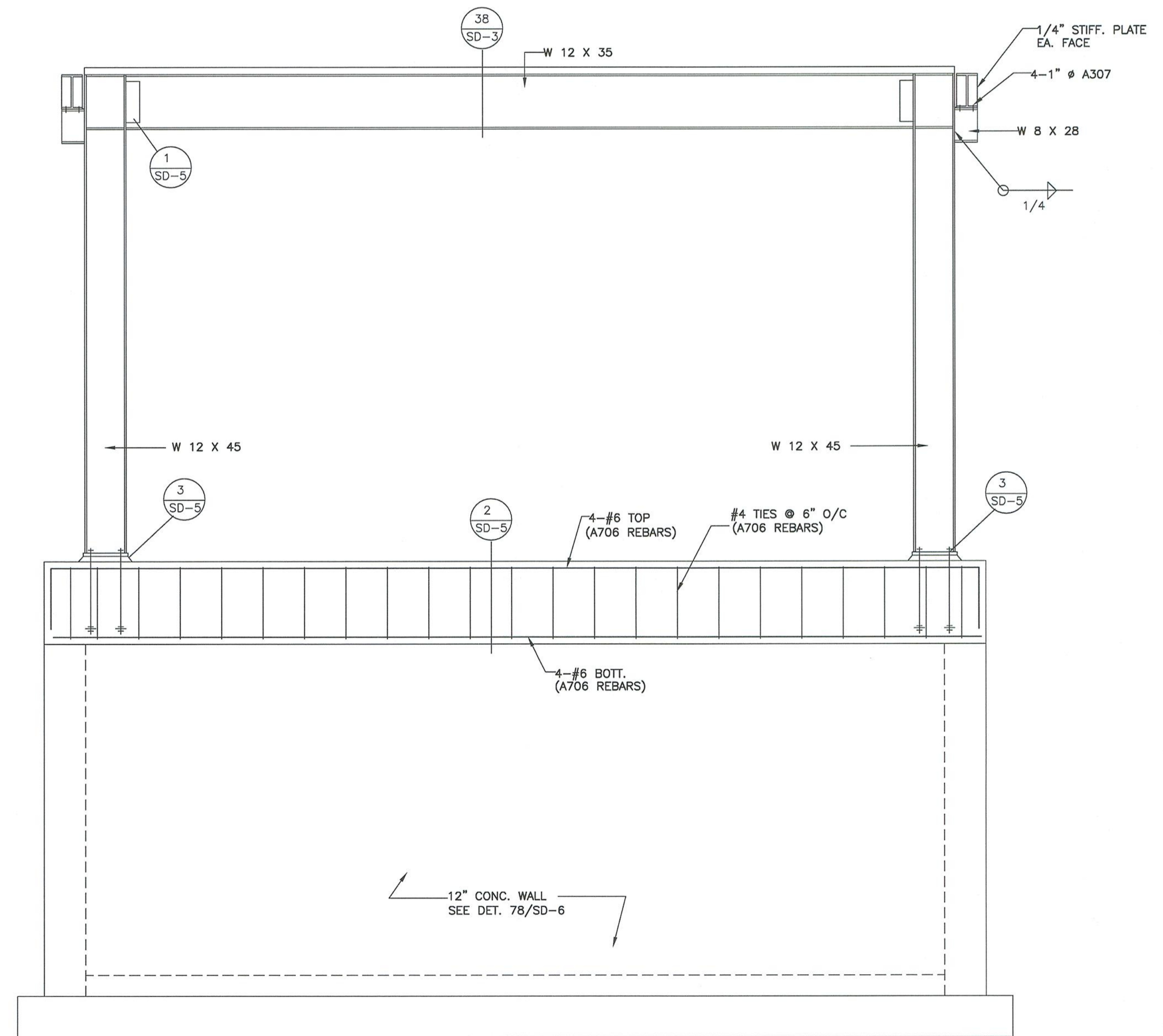
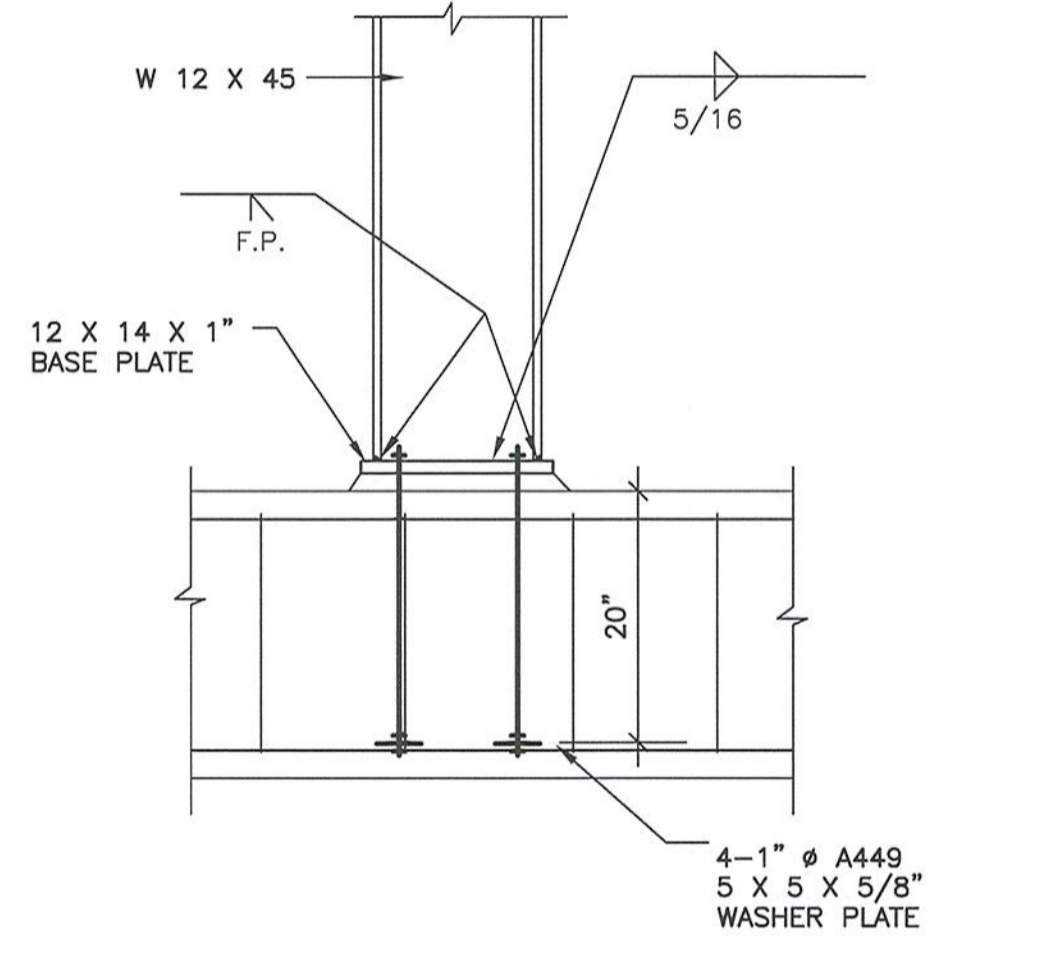
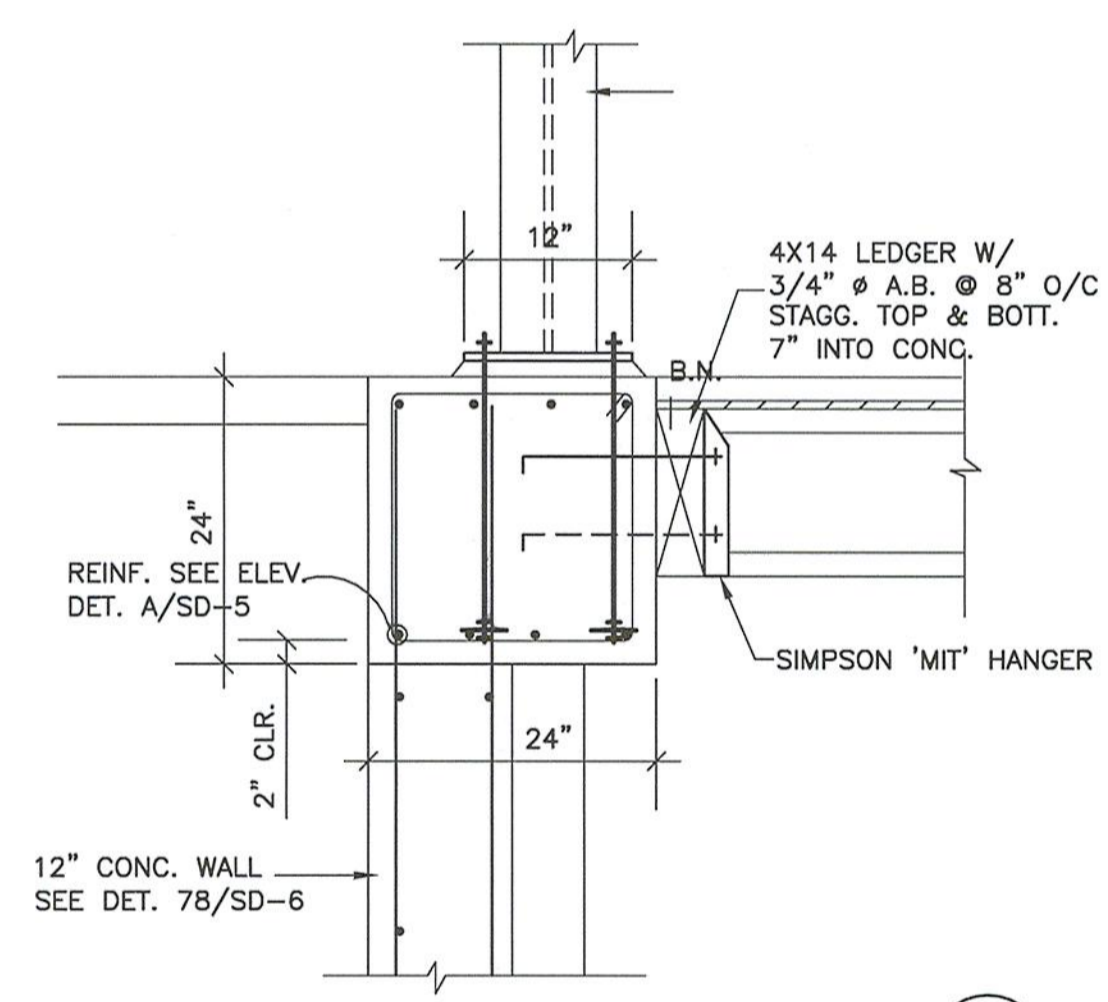
REDUCE BEAM SECTION SCHEDULE							
BEAM SIZE	'a'	'b'	'c'	RADIUS	WEB DOUBLER PLATE	SHEAR PLATE THICK.	NO. BOLTS
W 12 X 35	4"	9 1/2"	1 1/4"	9 5/8"	1/8"	1/2"	3-1" # A325 SC

STRUCTURAL OBSERVATION CHECKLIST FOR MOMENT FRAME :

1. ORIENTATION AND PLACEMENT OF CONNECTED COMPONENTS
2. REMOVAL OF BACKING BARS, AS REQUIRED
3. PLACEMENT OF REINFORCING FILLETS, AS REQUIRED
4. PRESENCE OF CONTINUITY PLATES, AS REQUIRED
5. WELDING OF CONTINUITY, AS REQUIRED
6. PRESENCE AND TYPE OF DOUBLER PLATES, AS REQUIRED
7. WELDING DOUBLING PLATES, AS REQUIRED
8. CONFIGURATION AND FINISH OF ACCESS HOLES
9. PLACEMENT OF BEAM STIFFENERS, AS REQUIRED
10. CONTOUR AND FINISH OF RBS PROFILE, IF APPLICABLE
11. PLACEMENT OF WELDS FOR CONNECTION, AS REQUIRED
12. TYPE AND PLACEMENT OF BOLTS
13. INACCESSIBLE CONDITIONS



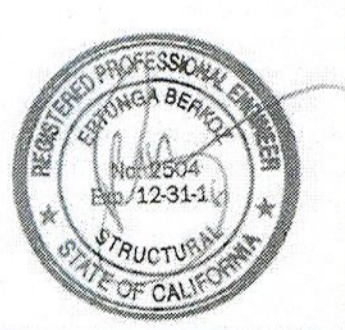
INTERMEDIATE MOMENT FRAME CONNECTION PER FEMA 350-3.5.5.
REDUCE BEAM SECTION CONNECTION
SEE SHEET SHEET SD-7 ADDITIONAL DETAILS AND NOTES



24" X 24" CONC. BEAM
INTERMEDIATE MOMENT FRAME

SINGLE FAMILY RESIDENCE
633 N. CRESCENT DR.
LOS ANGELES, CA

BERKOZ & ASSOCIATES, INC.
CONSULTING STRUCTURAL ENGINEERS
5530 CORBIN AVENUE, SUITE 355
TARZANA, CA 91356
(818) 668-8589 FAX: (818) 668-8596



DATE 6-15-2016

JOB #

STRUCTURAL

SD-5

BY: [Signature]
SEP 30 2016

MA