

LADBS  
 B U L D I N G I S  
 APPROVED

Architect  
**BO SHI**  
 architects  
 742 N Broadway, Suite 201  
 Los Angeles, CA 90012  
 info@boshiarchitects.com  
 tel: 213.626.3000

Structural Engineer  
 Berkoz and Assoc., Inc.  
 Structural Engineers  
 5530 Corbin Ave., Ste. 355  
 Tazana, CA 91356  
 tel: 818.668.8589  
 fax: 818.668.8596

**CRESCENT HEIGHTS RESIDENCE**  
 633 N. Crescent Heights  
 Los Angeles, CA 90048

READY TO ISSUE  
 BY VLADIMIR APHINYAN  
 SEP 30 2016  
 Signature

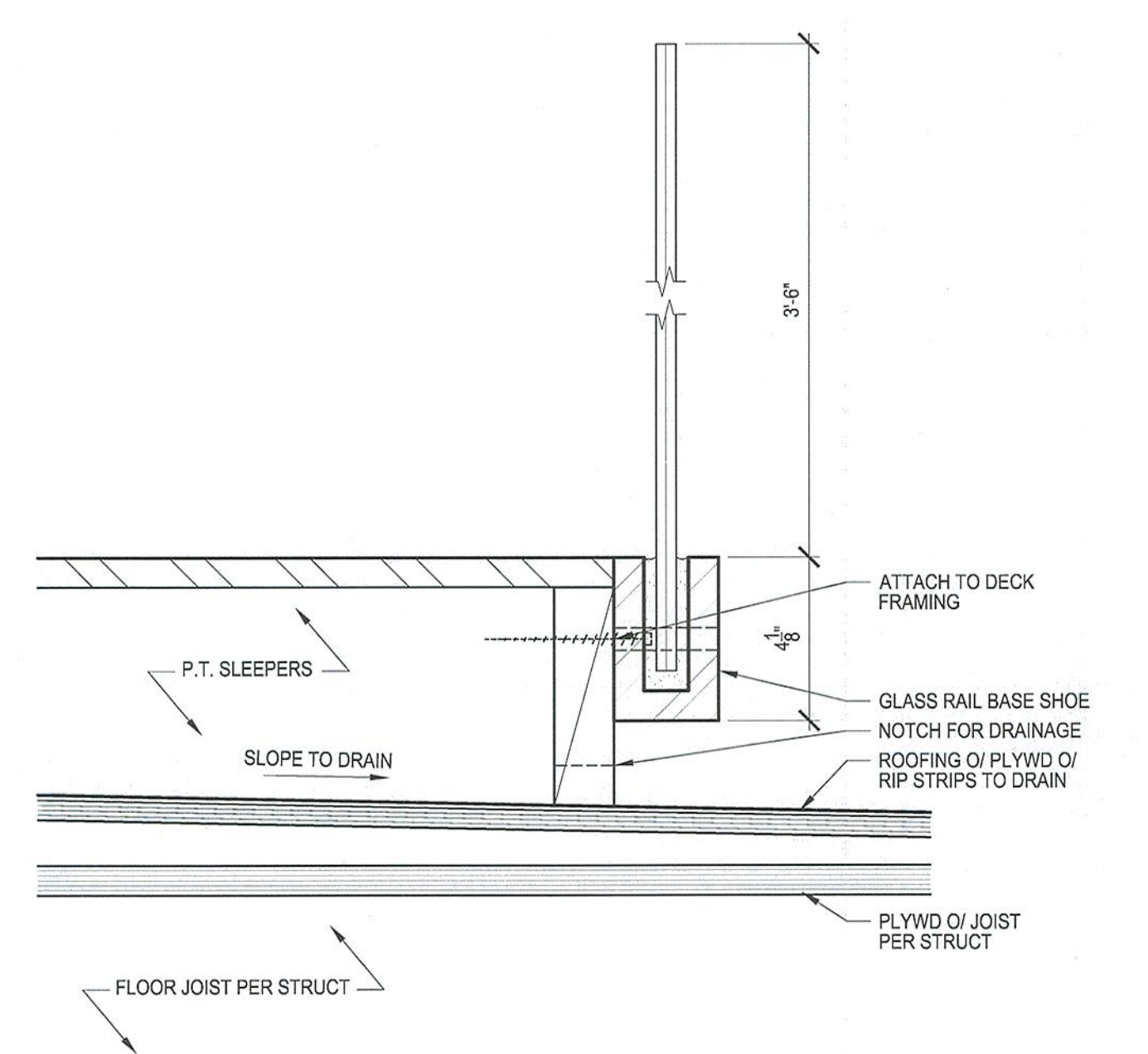
Rev	Description
06.15.16	Plan Check Submittal
08.05.16	Plan Check Re-Submit

Drawing  
**STAIR DETAILS**

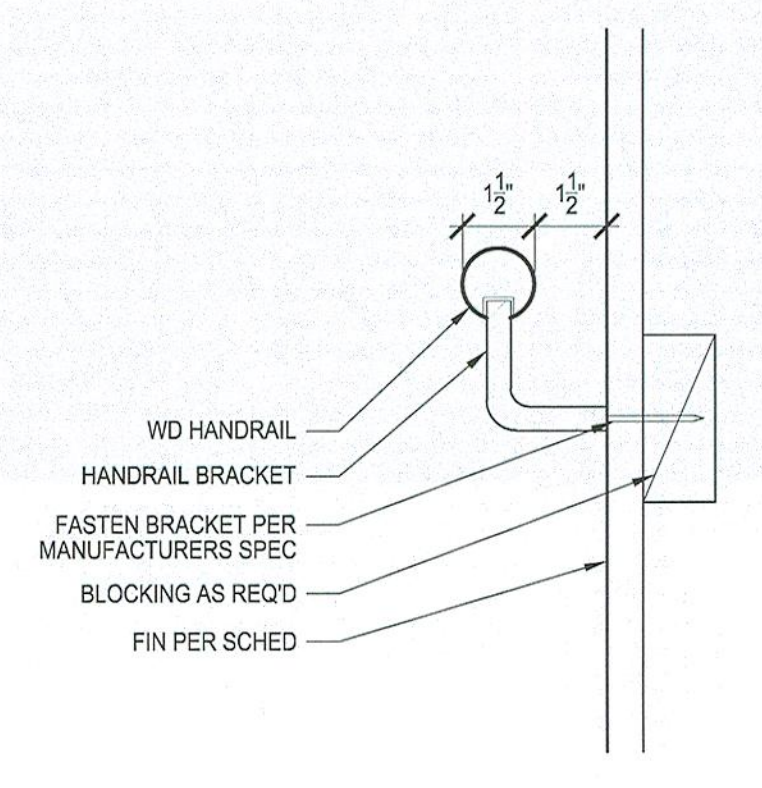
Date June 15, 2016  
 Scale 3" = 1'-0"  
 Sheet

All drawings and written material appearing herein constitute original and unpublished work of BO.SHI Architects and may not be duplicated, used or disclosed without written consent of BO.SHI Architects.

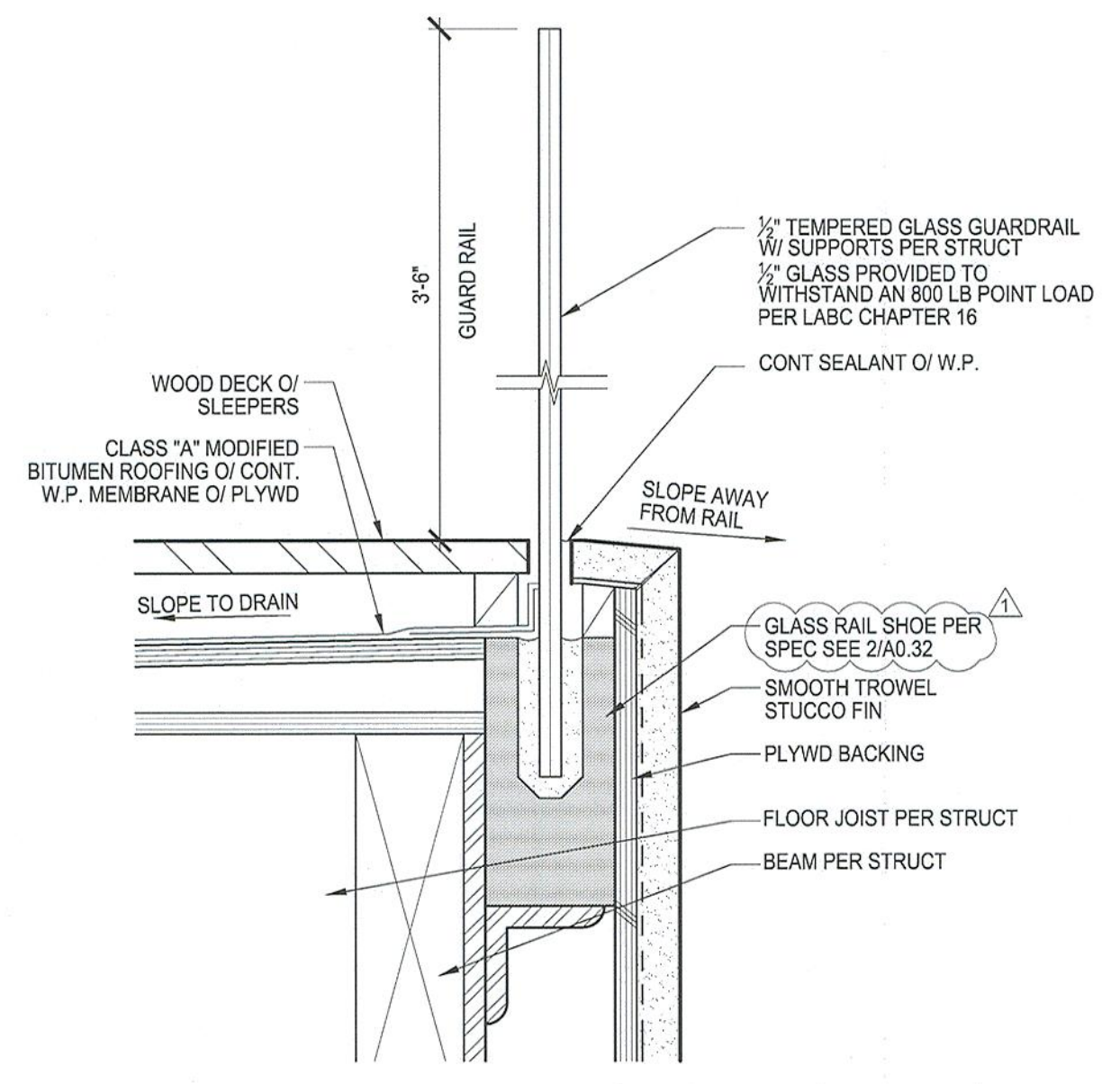
Sheet  
**A8.30**



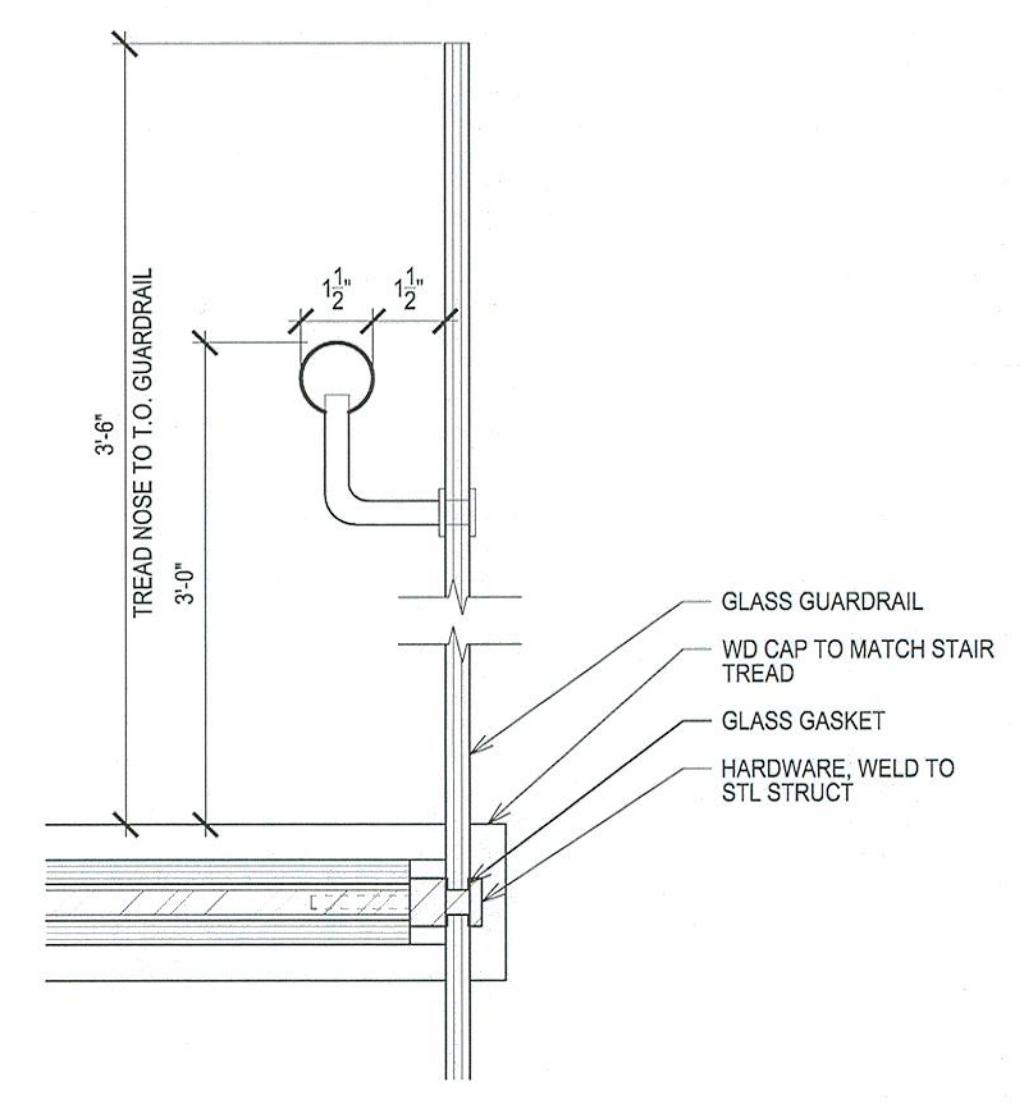
**ROOF DECK GLASS GUARDRAIL ⑥**  
 SCALE: 3"=1'-0"



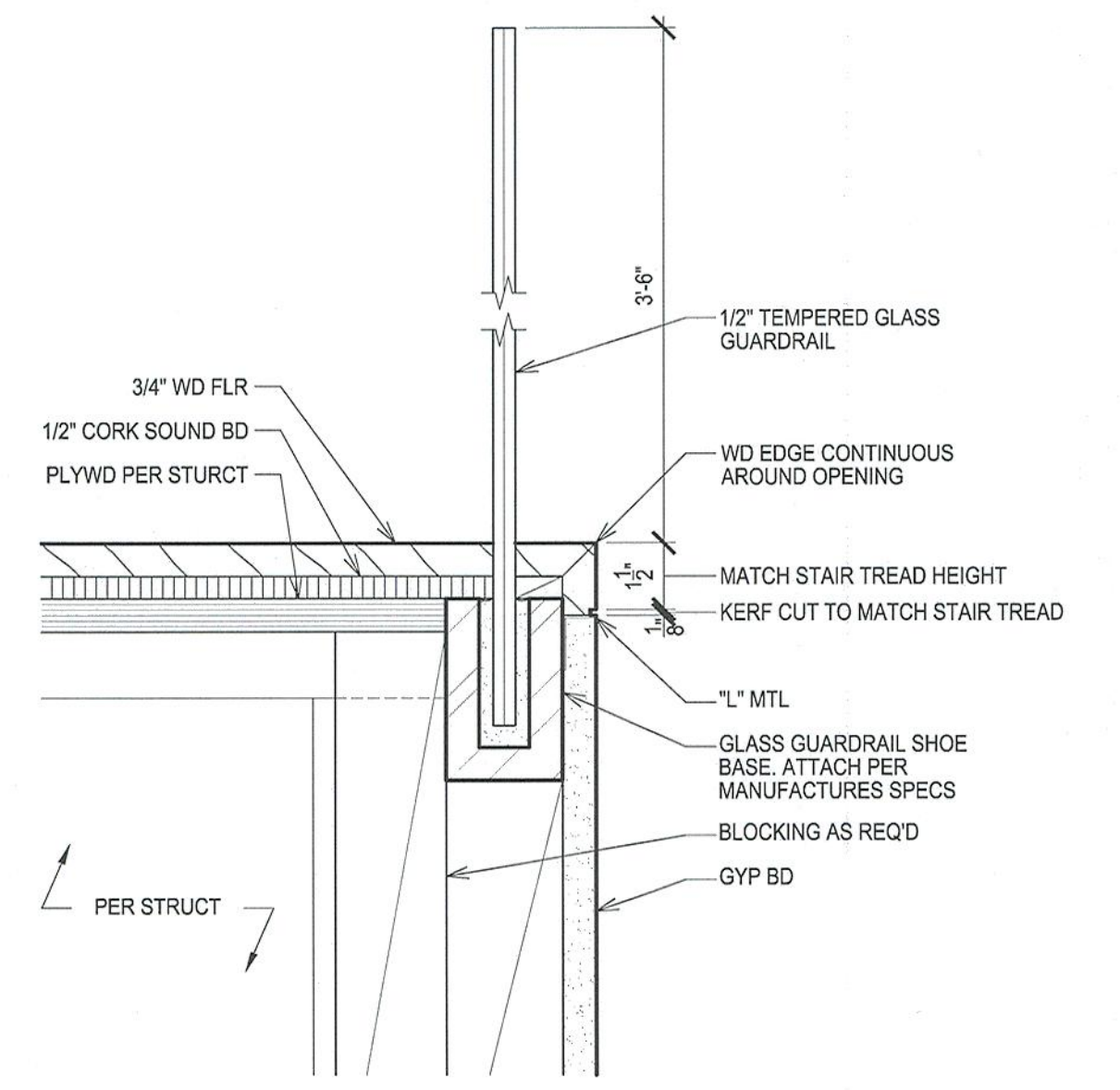
**HANDRAIL DETAIL, TYP ③**  
 SCALE: 3"=1'-0"



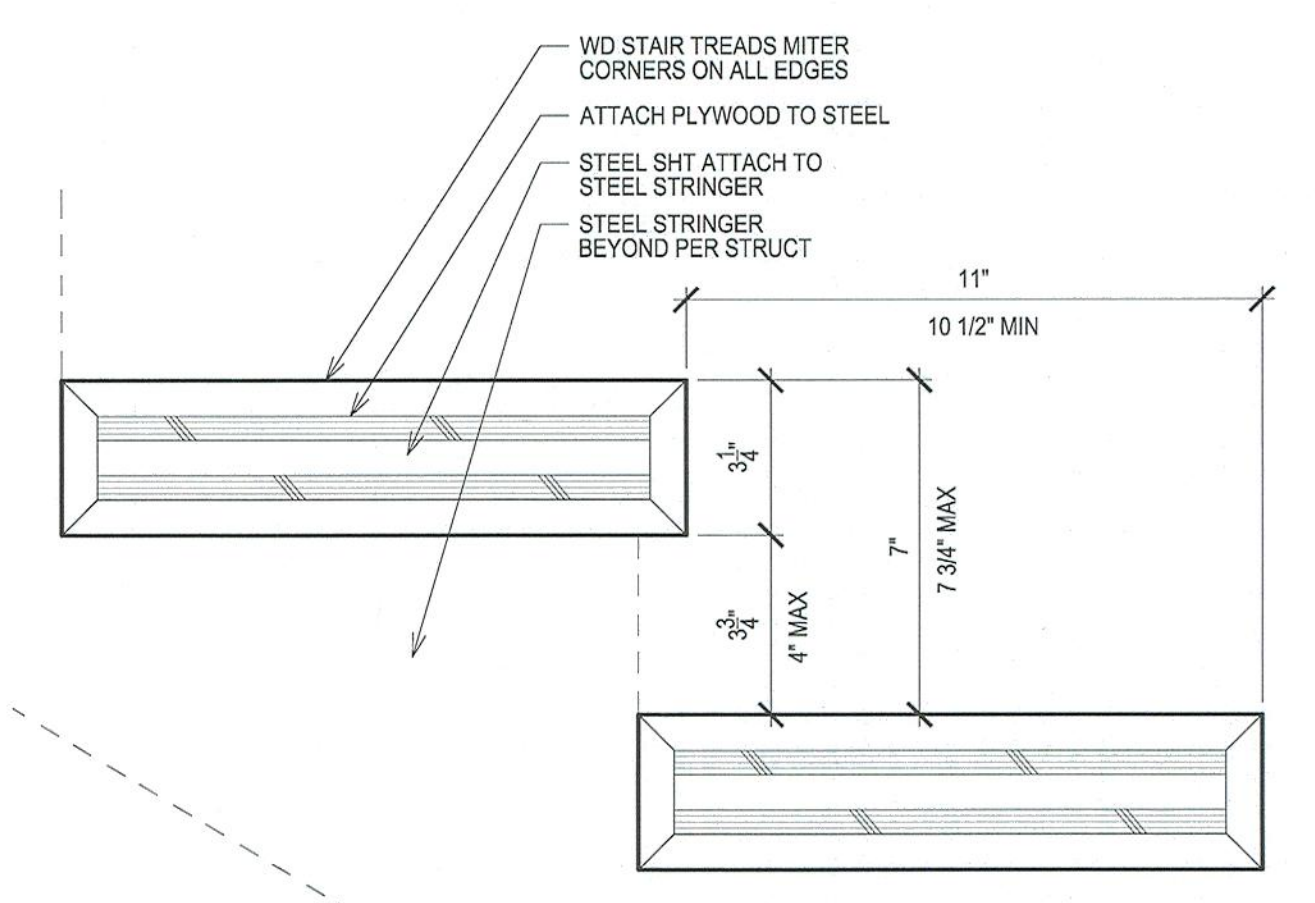
**EXTERIOR GLASS GUARDRAIL ⑤**  
 SCALE: 3"=1'-0"



**GUARDRAIL/HANDRAIL ②**  
 SCALE: 3"=1'-0"



**INTERIOR GLASS GUARDRAIL ④**  
 SCALE: 3"=1'-0"



**STAIR TREAD DETAIL ①**  
 SCALE: 3"=1'-0"