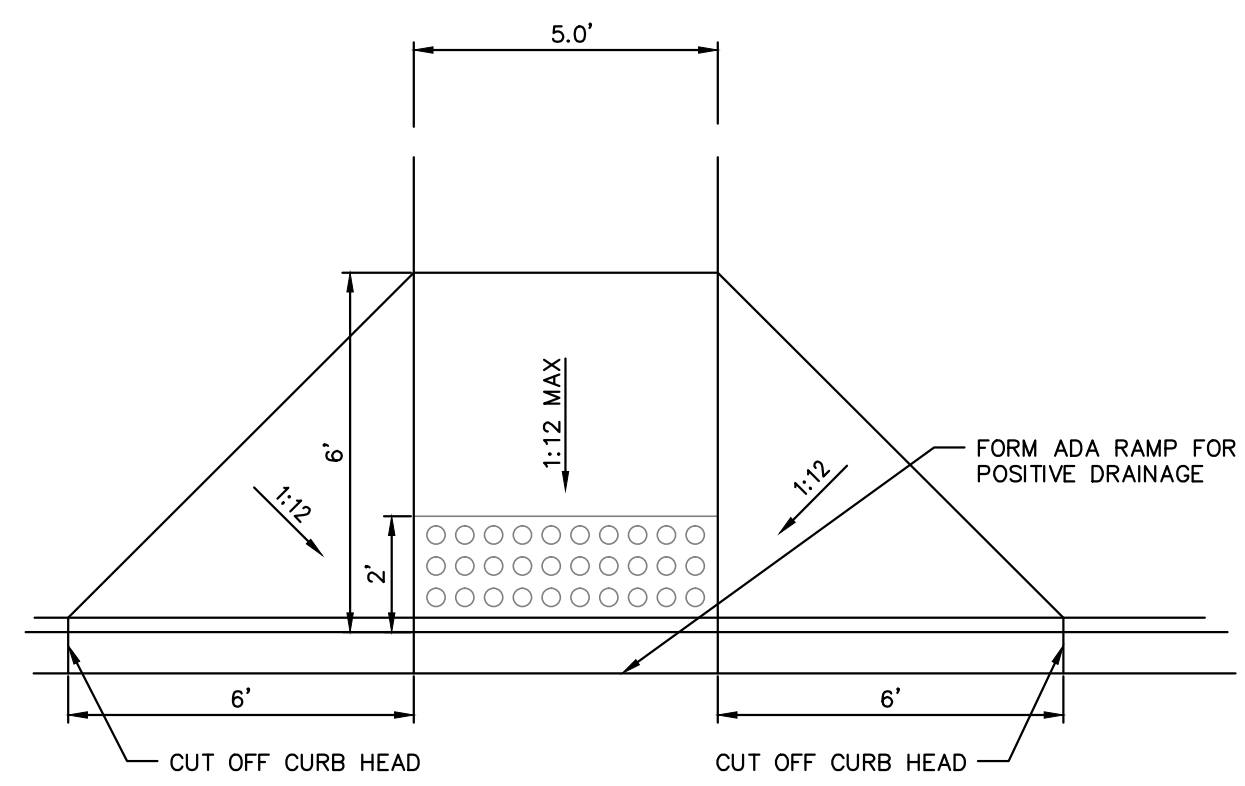
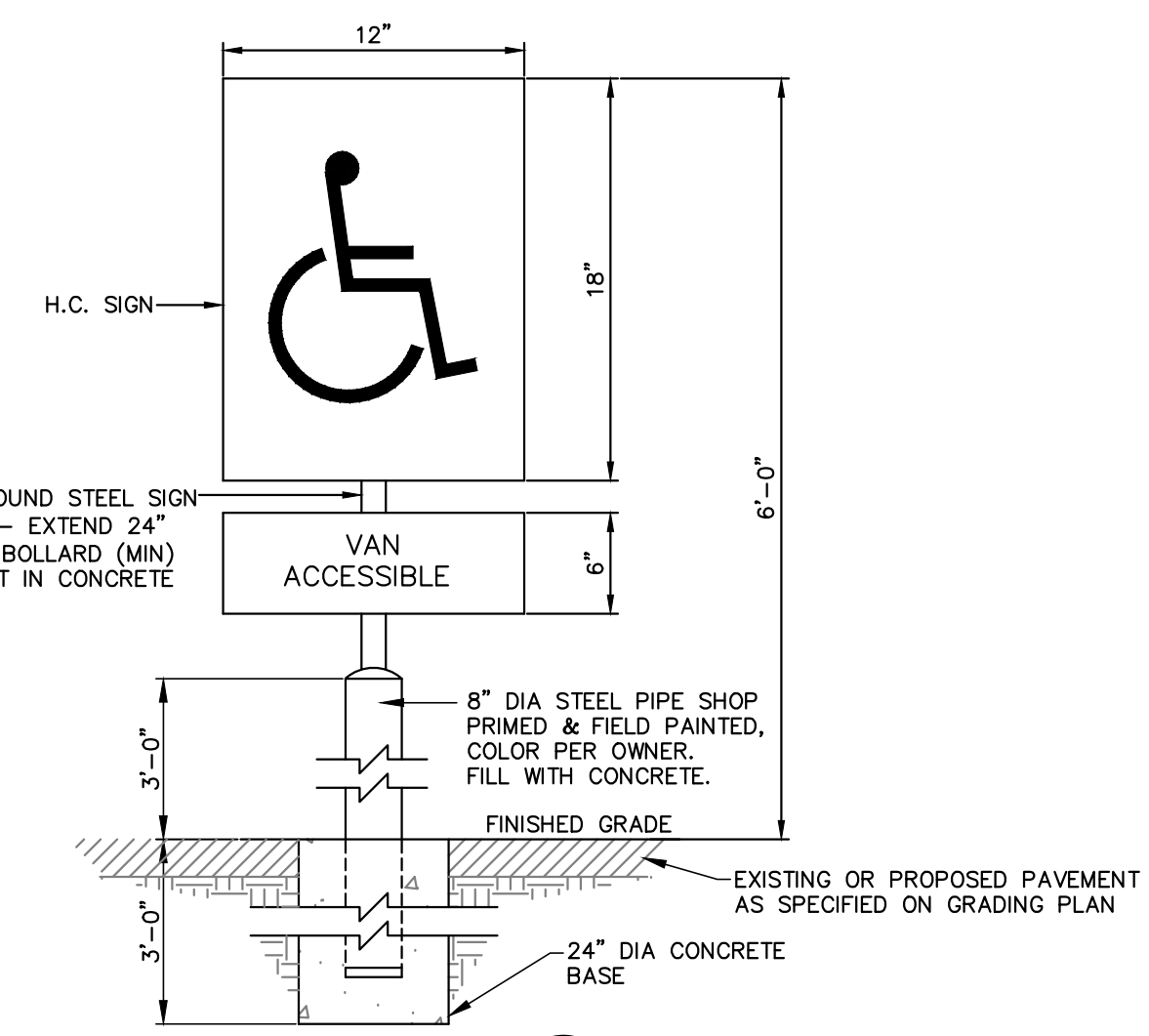
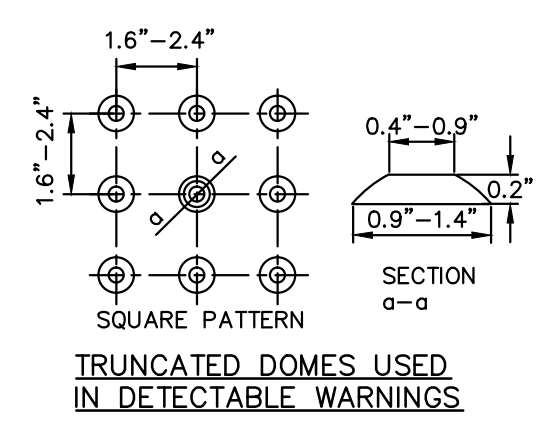


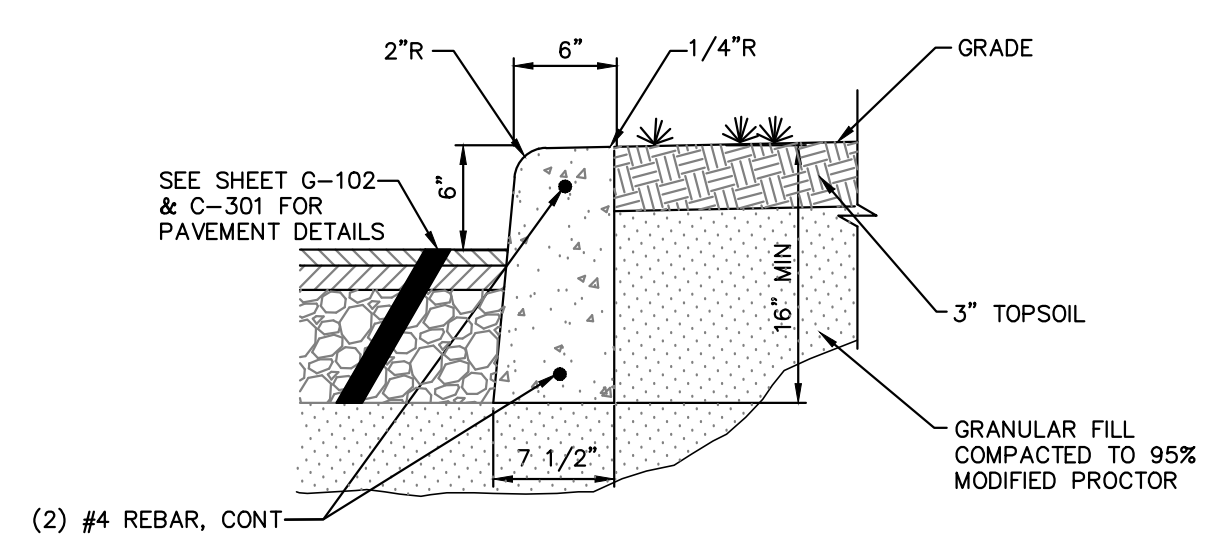
PIPE BOLLARD DETAIL 1
SD-101
NOT TO SCALE



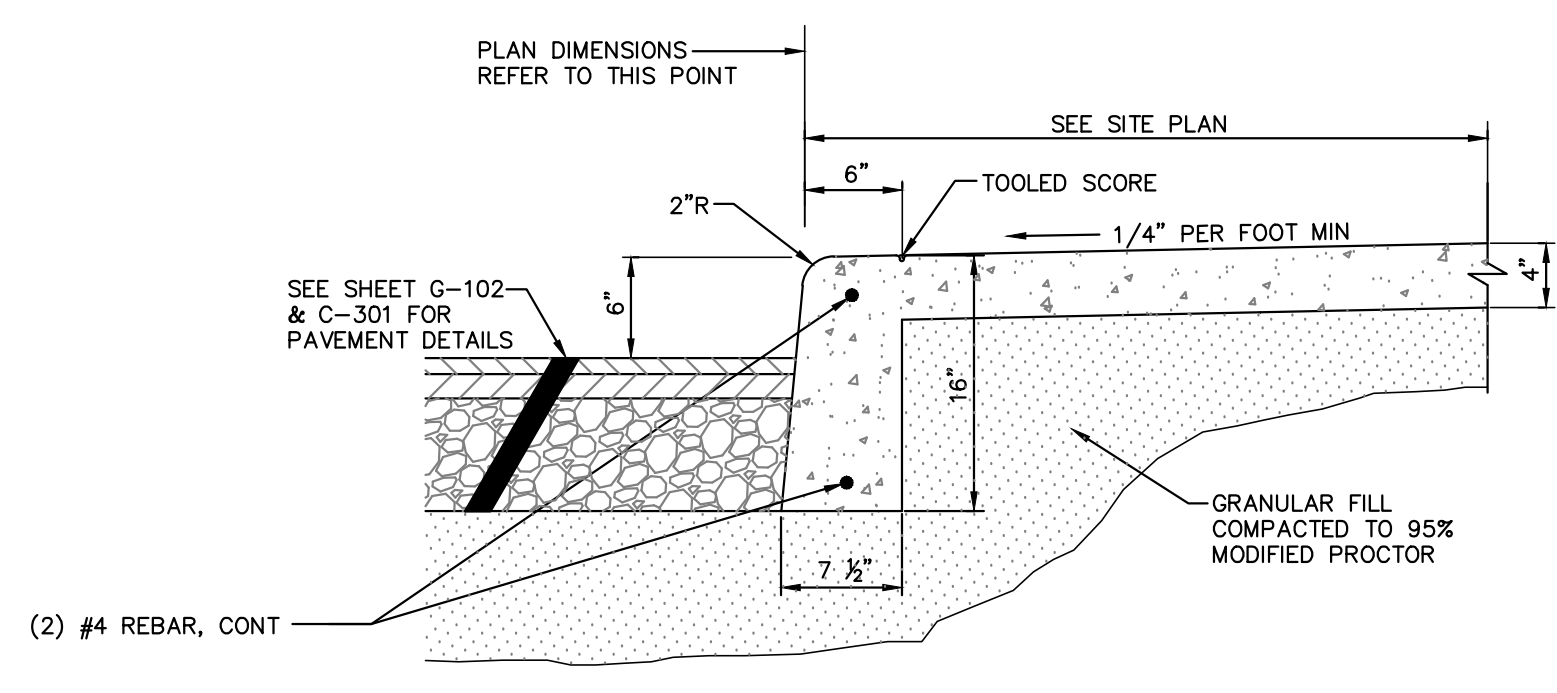
BARRIER FREE RAMP 2
SD-101
NOT TO SCALE



HANDICAP SIGN 3
SD-101
NOT TO SCALE

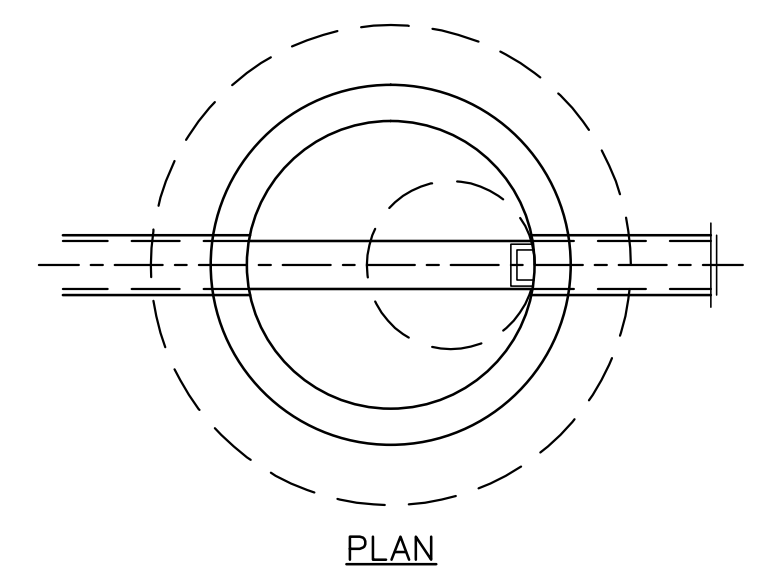


STRAIGHT CURB & PAVEMENT SECTION 4
SD-101
NOT TO SCALE

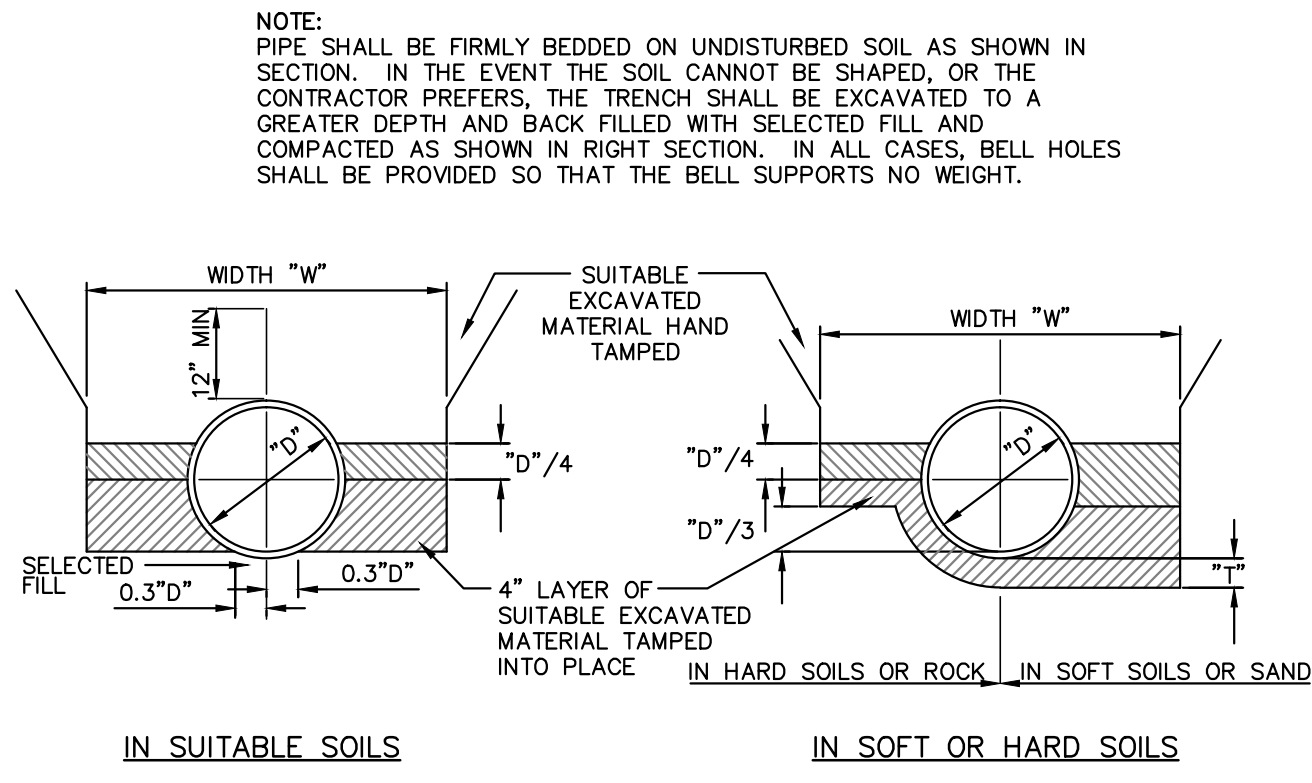


STRAIGHT CURB WALK & PAVEMENT SECTION 5
SD-101
NOT TO SCALE

NOTE:
CURB HEIGHT MAY VARY, REFER TO GRADING PLAN SHEET C-301



PLAN



TYPICAL TRENCH, STORM & SANITARY SEWER PIPE LAYING AND BEDDING 6
SD-101
NOT TO SCALE

NOTE: PIPE SHALL BE FIRMLY BEDDED ON UNDISTURBED SOIL AS SHOWN IN SECTION. IN THE EVENT THE SOIL CANNOT BE SHAPED, OR THE CONTRACTOR PREFERENCES, THE TRENCH SHALL BE EXCAVATED TO A GREATER DEPTH AND BACK FILLED WITH SELECTED FILL AND COMPACTED AS SHOWN IN RIGHT SECTION. IN ALL CASES, BELL HOLES SHALL BE PROVIDED SO THAT THE BELL SUPPORTS NO WEIGHT.

MIN THICKNESS "T"	
TO 15"	6"
18" TO 36"	9"
OVER 36"	12"

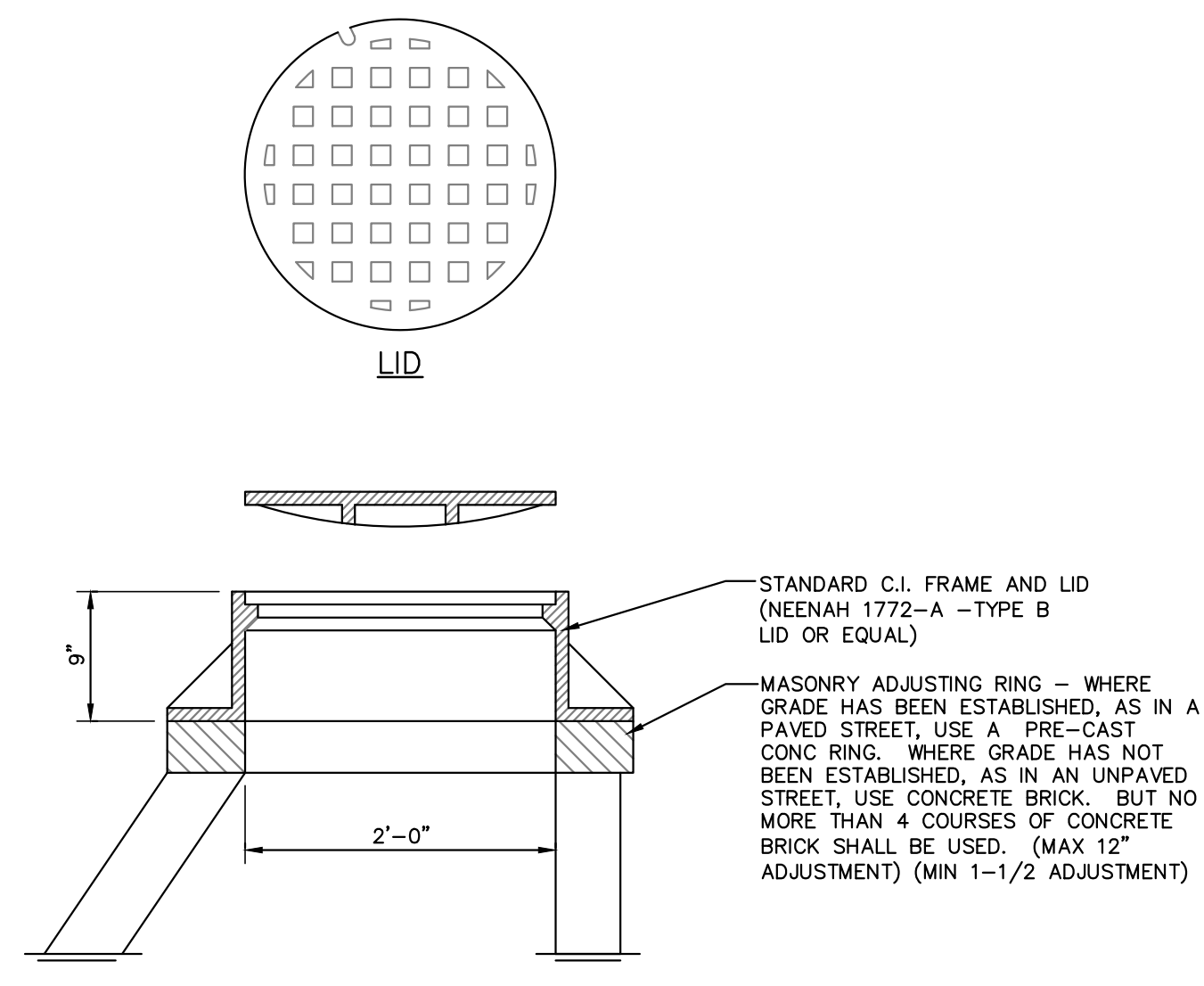
MAX TRENCH WIDTH AT TOP OF PIPE	
DIA "D"	WIDTH "W"
6"	18"
8"	24"
10"	24"
12"	30"
15"	36"
18"	39"
21"	42"
24"	45"
27"	48"
30"	53"
36"	66"
42"	75"
48"	82"

SUITABLE EXCAVATED MATERIAL HAND TAMPED

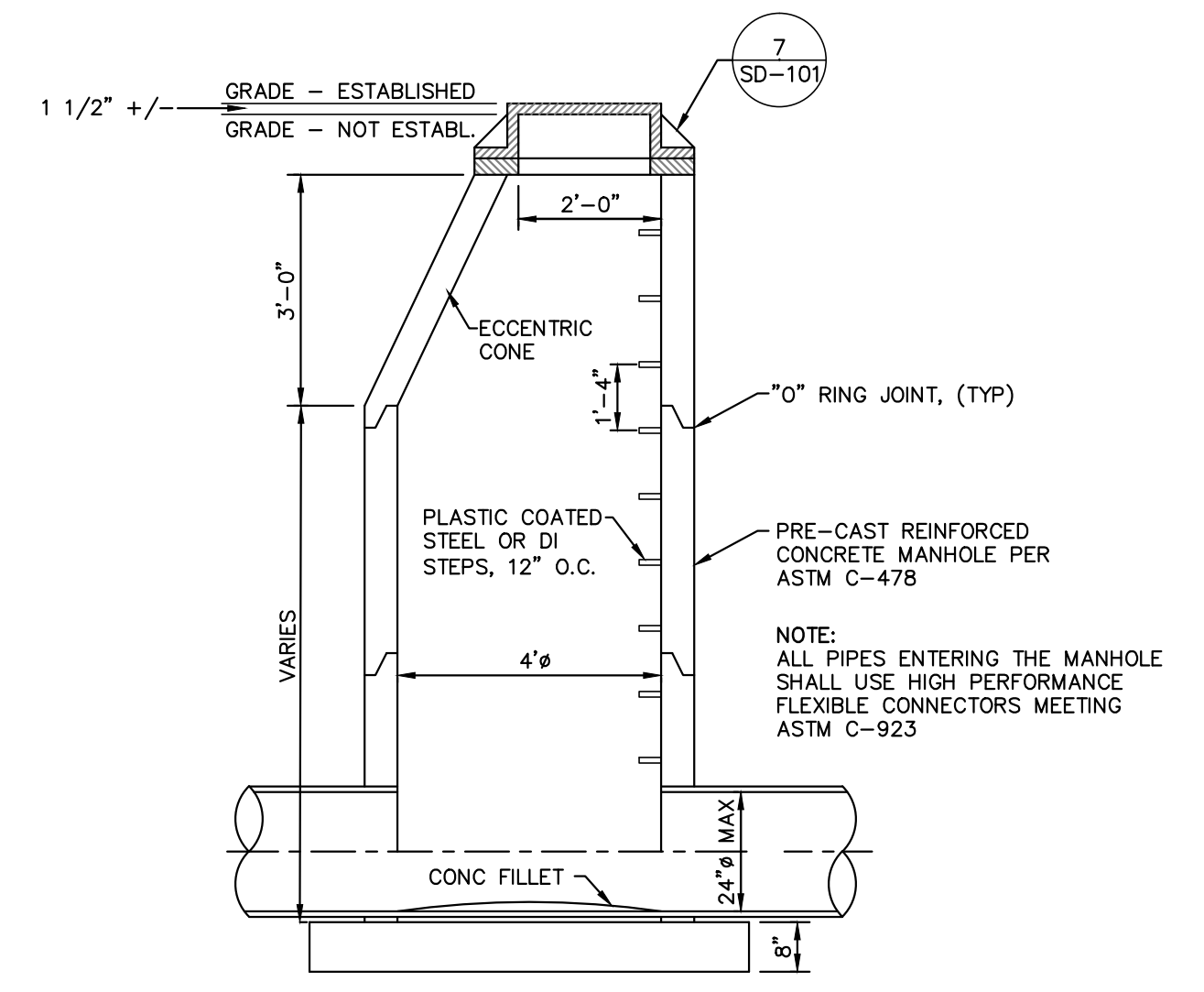
CLASS 1 CRUSHED STONE OR APPROVED EQUAL

HDPE OR PVC PIPE

NOTE: ALL PVC PIPE SHALL BE INSTALLED FOLLOWING THE ASTM STANDARD PRACTICE D 2321-89.



MANHOLE TOP FINISHING 7
SD-101
NOT TO SCALE



STANDARD PRE-CAST MANHOLE 8
SD-101
NOT TO SCALE

REV	DESCRIPTION	BY	DATE

JONES PETRIE RAFINSKI
your one single source

Elkhart, Indiana
P: 574.293.7762

South Bend, Indiana
P: 574.232.4188

Fort Wayne, Indiana
P: 260.422.2322

PRELIMINARY FOR REVIEW PURPOSES ONLY

SHOPS ON CONCORD
TRIYAR COMPANIES, INC.
10850 WILSHIRE BOULEVARD, SUITE 1250
LOS ANGELES, CA 20024
CONSTRUCTION DETAILS

DESIGNED BY:
CHRIS CHOCKLEY

DRAWN BY:
MMS, ARB

DATE:
JANUARY 2017

JOB NUMBER: 2016-0160

SCALE:
NONE

SD-101