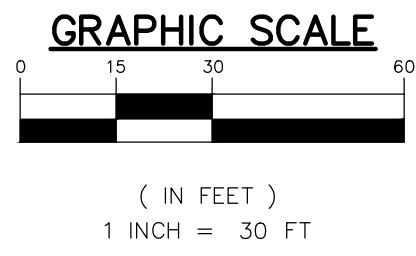
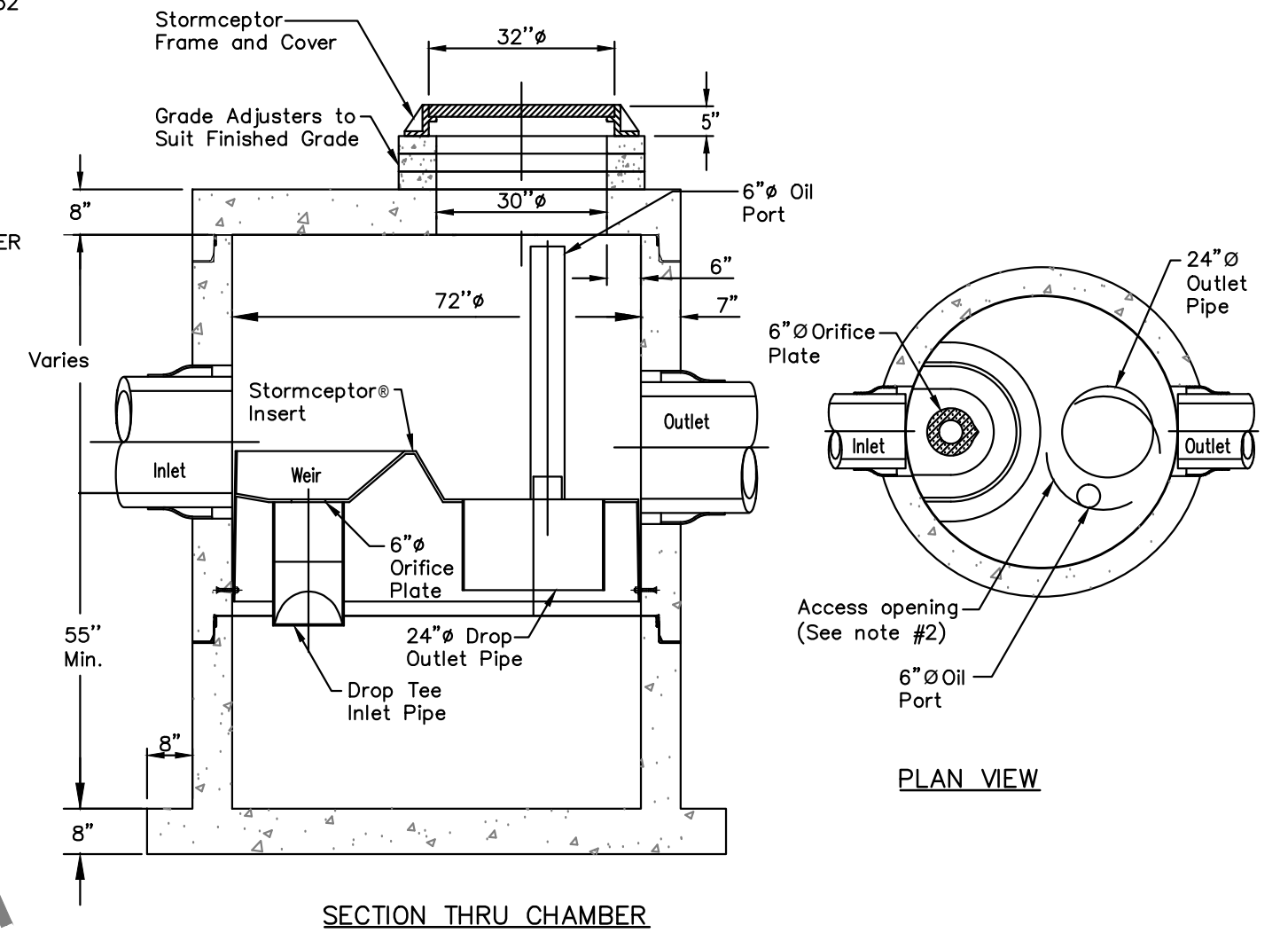


LEGEND

	PROPOSED SANITARY MANHOLE
	PROPOSED STORM MANHOLE
	PROPOSED CATCH BASIN
	PROPOSED IRON GRATE
	PROPOSED SANITARY LINE
	PROPOSED STORM LINE
	PROPOSED WATER LINE



STC 900 PRECAST CONCRETE STORMCEPTOR®
(900 U.S. GALLON CAPACITY)



- NOTES:**
1. THE USE OF FLEXIBLE CONNECTION IS RECOMMENDED AT THE INLET AND OUTLET WHERE APPLICABLE.
 2. THE COVER SHOULD BE POSITIONED OVER THE OUTLET DROP PIPE AND THE OIL PORT.
 3. THE STORMCEPTOR SYSTEM IS PROTECTED BY ONE OR MORE OF THE FOLLOWING U.S. PATENTS: #4985148, #5498331, #5725760, #5753115, #5849181, #6068765, #6371690.
 4. CONTACT A CONCRETE PIPE DIVISION REPRESENTATIVE FOR FURTHER DETAILS NOT LISTED ON THIS DRAWING. RANKER 028

NOTE:
 CONTRACTOR SHALL COORDINATE SANITARY SEWER SERVICE AND DOWNSPOUT CONNECTIONS WITH ARCHITECTURAL PLANS

DATE	
BY	
DESCRIPTION	
REV	
<p>The concepts, designs, plans, details and other information shown on this document are the sole property of PR and were created, developed, and prepared for use on this specific project. None of this concepts, designs, plans, details or other information shall be used or disseminated without the expressed written permission of PR. © 2017 PR. All Rights Reserved.</p>	
<p>For More Information South Bend, Indiana P: 574.232.1488</p>	
<p>For More Information Elkhart, Indiana P: 574.293.7762</p>	
<p>PR JONES PETRIE RAFINSKI your one single source</p>	
<p>PRELIMINARY FOR REVIEW PURPOSES ONLY</p>	
<p>SHOPS ON CONCORD TRIYAR COMPANIES, INC. 10850 WILSHIRE BOULEVARD, SUITE 1250 LOS ANGELES, CA 90024</p>	
<p>SITE UTILITY PLAN</p>	
<p>DESIGNED BY: CHRIS CHOCKLEY</p>	
<p>DRAWN BY: MMS, ARB</p>	
<p>DATE: JANUARY 2017</p>	
<p>JOB NUMBER: 2016-0160</p>	
<p>SCALE: 1"=30'</p>	
<p>C-401</p>	

CA 2016 Projects 2016-2016\CONCORD\Shops on Concord\Site Utility.dwg, 1/13/2017 4:19:51 PM